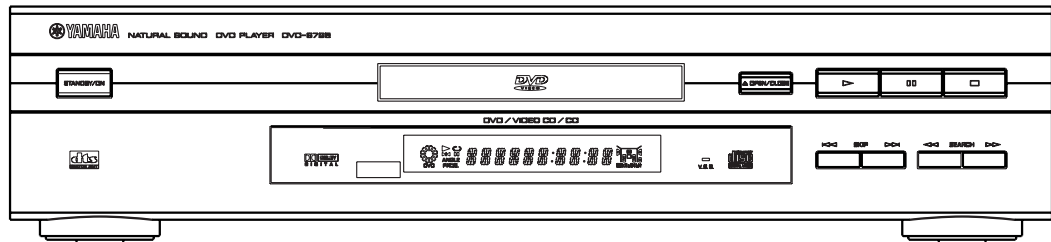
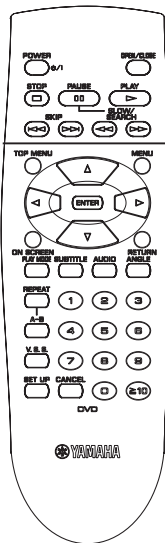


DVD PLAYER

DVD-S796/DV-S5270

SERVICE MANUAL



IMPORTANT NOTICE

This manual has been provided for the use of authorized YAMAHA Retailers and their service personnel. It has been assumed that basic service procedures inherent to the industry, and more specifically YAMAHA Products, are already known and understood by the users, and have therefore not been restated.

WARNING: Failure to follow appropriate service and safety procedures when servicing this product may result in personal injury, destruction of expensive components and failure of the product to perform as specified. For these reasons, we advise all YAMAHA product owners that all service required should be performed by an authorized YAMAHA Retailer or the appointed service representative.

IMPORTANT: The presentation or sale of this manual to any individual or firm does not constitute authorization, certification or recognition of any applicable technical capabilities, or establish a principle-agent relationship of any form.

The data provided is believed to be accurate and applicable to the unit(s) indicated on the cover. The research, engineering, and service departments of YAMAHA are continually striving to improve YAMAHA products. Modifications are, therefore, inevitable and specifications are subject to change without notice or obligation to retrofit. Should any discrepancy appear to exist, please contact the distributor's Service Division.

WARNING: Static discharges can destroy expensive components. Discharge any static electricity your body may have accumulated by grounding yourself to the ground buss in the unit (heavy gauge black wires connect to this buss).

IMPORTANT: Turn the unit OFF during disassembly and parts replacement. Recheck all work before you apply power to the unit.



このサービスマニュアルは、エコマーク認定の再生紙を使用しています。
This Service Manual uses recycled paper.



CONTENTS

SECTION 1

SPECIFICATIONS	1-1
LOCALE MANAGEMENT INFORMATION	1-1
TO SERVICE PERSONNEL	1-2
PREVENTION OF ESD TO ES DEVICES	1-3
PRECAUTION OF LASER DIODE	1-4
HANDLING PRECAUTIONS FOR TRAVERSE DECK	1-4
REAR PANELS	1-5
OPTICAL PICKUP SELF-DIAGNOSIS AND REPLACEMENT PROCEDURE ...	1-6
SELF-DIAGNOSIS FUNCTION AND SERVICE MODES	1-7
SERVICE PRECAUTIONS	1-9
SERVICE TOOLS AND EQUIPMENT	1-9
OPERATING INSTRUCTIONS	1-10

SECTION 2

ASSEMBLING AND DISASSEMBLING THE CASING AND CHECKING

C. B. A.s

1.Disassembly Procedure	2-1
2.Casing Parts and C.B.A. Positions	2-2
3.Service Positions	2-2
4.Disassembling the Top Cover	2-3
5.Disassembling the Tray	2-3
6.Disassembling the Front Panel	2-3
7.Disassembling the Loading Base Unit	2-4
8.Checking the Module C.B.A.	2-4
9.Disassembling the Rear Panel	2-4
10.Checking the Power Supply C.B.A.	2-5
11.Checking the Mother C.B.A.	2-5
12.Checking the Power Switch C.B.A.	2-5
13.Checking the Front Switch C.B.A.	2-5

ASSEMBLING AND DISASSEMBLING THE OPTICAL PICKUP

1.Handling the Optical Pickup	2-6
2.Disassembly Procedure	2-6
3.Lubricating the Loading Base Unit	2-7
4.Static Electricity Countermeasures	2-8
5.Disassembling the Clamp Base Unit	2-9
6.Disassembling the Clamper Weight, Clamper Yoke, Magnet and Clamper	2-9
7.Disassembling the Traverse Unit	2-9
8.Disassembling the Stepping Motor Unit	2-10
9.Disassembling the Optical Pickup Unit	2-10
10.Disassembling the Nut Unit	2-11
11.Disassembling the Sub-Shaft Preload Spring	2-11
12.Assembling the Optical Pickup	2-11
13.Disassembling the Spindle Motor Unit	2-12
14.Optical Pickup Tilt Adjustment	2-13
15.Disassembling the Intermediate Chassis	2-15
16.Disassembling the Vertical Cam and Drive Gear	2-15
17.Disassembling the Pulley Gear and Deceleration Gear	2-15
18.Disassembling the Mechanism Loading C.B.A.	2-15
19.Lubricating the Optical Pickup and Peripheral parts	2-16

ELECTRICAL CONFIRMATION

1.Video Output (Luminance Signal) Confirmation	2-17
2.Video Output (Chrominance Signal) Confirmation	2-17
3.Video Component Signal (CB) Output Confirmation	2-18

SECTION 3

ABBREVIATIONS	3-1
---------------------	-----

BLOCK DIAGRAM

1.OVERALL BLOCK DIAGRAM	3-3
2.SERVO BLOCK DIAGRAM	3-4
3.VIDEO BLOCK DIAGRAM (FOR U, A, R MODELS)	3-5
4.VIDEO BLOCK DIAGRAM (FOR G, B MODEL)	3-6
5.AUDIO BLOCK DIAGRAM	3-7

INTERCONNECTION DIAGRAM

1.U, A, R MODELS	3-8
2.G, B MODELS	3-9

SCHEMATIC DIAGRAM

1.POWER SUPPLY SCHEMATIC DIAGRAM (FOR U MODEL)	3-10
2.POWER SUPPLY SCHEMATIC DIAGRAM (FOR G, B, A MODELS)	3-11
3.POWER SUPPLY SCHEMATIC DIAGRAM (FOR R MODEL)	3-12
4.ADSC (MODULE C.B.A. 1/6) SCHEMATIC DIAGRAM	3-13
5.AV DECODER (MODULE C.B.A. 2/6) SCHEMATIC DIAGRAM (FOR U MODEL)	3-14
6.AV DECODER (MODULE C.B.A. 2/6) SCHEMATIC DIAGRAM (FOR G, B, A, R MODELS)	3-15
7.AUDIO (MODULE C.B.A. 3/6) SCHEMATIC DIAGRAM	3-16
8.FEP (MODULE C.B.A. 4/6) SCHEMATIC DIAGRAM	3-17
9.CPU (MODULE C.B.A. 5/6) SCHEMATIC DIAGRAM	3-18
10.ODC (MODULE C.B.A. 6/6) SCHEMATIC DIAGRAM	3-19
11.VIDEO OUT (MOTHER C.B.A. 1/4) SCHEMATIC DIAGRAM (FOR U, A, R MODELS)	3-20
12.VIDEO OUT (MOTHER C.B.A. 1/4) SCHEMATIC DIAGRAM (FOR G, B MODELS)	3-21
13.AUDIO OUT1 (MOTHER C.B.A. 2/4) SCHEMATIC DIAGRAM	3-22
14.AUDIO OUT2 (MOTHER C.B.A. 3/4) SCHEMATIC DIAGRAM	3-23
15.OPERATION (MOTHER C.B.A. 4/4) SCHEMATIC DIAGRAM	3-24
16.FRONT SW AND POWER SW SCHEMATIC DIAGRAM	3-25
17.SCART SCHEMATIC DIAGRAM (FOR G, B MODELS)	3-26

CIRCUIT BOARD DIAGRAM

1.POWER SUPPLY C.B.A. (FOR U MODEL)	3-27
2.POWER SUPPLY C.B.A. (FOR G, B, A MODELS)	3-28
3.POWER SUPPLY C.B.A. (FOR R MODEL)	3-29
4.MODULE C.B.A.	3-30
5.MOTHER C.B.A.	3-32
6.FRONT SW AND POWER SW C.B.A.	3-33
7.SCART C.B.A. (FOR G, B MODELS)	3-34

SECTION 4

EXPLODED VIEWS & REPLACEMENT PARTS LIST

1.Electrical Replacement Parts List	4-11
2.Casing Parts & Mechanism Section	4-13
3.Loading Mechanism Section	4-15
4.Traverse Section	4-17
5.Remote Control Transmitter	4-18

SECTION 1 SPECIFICATIONS

Power requirements: For U model
AC 120V,60Hz
For G, B, A models
AC 220 – 240V, 50Hz
For R model
AC 110 – 240V, 50/60Hz

Power consumption: For U model
14W (approx. 2W when set to the standby mode)
For G, B, A, R models
14W (approx. 4W when set to the standby mode)

Signal system: For U model
NTSC
For G, B, A, R models
PAL 625/50, PAL 525/60

Audio output:
Output level: 2 Vrms (1kHz, 0dB)
Output connector: Pin jack
Mixed output: 1 system
Subwoofer output: 1 system

Weight: 7lbs. 4oz (3.3kg)
Dimensions: 17-1/8" (W) X 10-7/8" (D) X 3-7/8" (H)
[435 (W) X 276 (D) X 99 (H) mm]

Audio signal output characteristics:

- (1) Frequency response:
DVD (linear audio):
2Hz to 22kHz (48kHz sampling)
2Hz to 44kHz (96kHz sampling)
CD audio:
2Hz to 20kHz (EIAJ)
- (2) S/N ratio:
CD audio: 115dB (EIAJ)
- (3) Dynamic range:
DVD (linear audio): 102dB
CD audio: 98dB (EIAJ)
- (4) Total harmonic distortion:
CD audio: 0.0025% (EIAJ)

Operating temperature range: +50° to +35°C (+41° to +95°F)

Operating humidity range: 5 to 90% (no condensation)

Discs played:

(1) DVD-VIDEO disc

- 5" (12cm) single-sided, single-layer
- 5" (12cm) single-sided, double-layer
- 5" (12cm) double-sided, single-layer
- 3" (8cm) single-sided, single-layer
- 3" (8cm) single-sided, double-layer
- 3" (8cm) double-sided, single-layer

(2) Compact disc (CD-DA, VIDEO CD)

- 5" (12cm) disc
- 3" (8cm) disc

Digital audio output:

Optical digital output: Optical connector

S-video output:

Y output level: 1Vp-p (75Ω)
C output level: 0.286Vp-p (75Ω)
Output connector: S terminal (1 system)

Pickup: Wave length: 655nm
Laser power: CLASS II
Laser output: Max. 1.0 mW (Continuous)

Video output:

Output level: 1Vp-p (75Ω)
Output connector: Pin jack (1 system)

Color: DVD-S796BU Black
DV-S5270BU Black
DVD-S796BG Black
DVD-S796TG Titanium
DVD-S796GG Gold
DVD-S796BB Black
DVD-S796BA Black
DVD-S796GR Gold


Compact video output:

For U, A, R models only
Y output level: 1Vp-p (75Ω), green
PB output level: 0.7Vp-p (75Ω), blue
PR output level: 0.7Vp-p (75Ω), red
Output connector: Pin jack

Specifications are subject to change without notice.
Weight and dimensions are approximate.

U **U.S.A. model**
R **Asian model**
A **Australlan model**

G **European model**
B **United Kindom model**

Manufactured under license from Dolby Laboratories Licensing Corporation. "Dolby" and the double-D symbol  are trademarks of Dolby Laboratories Licensing Corporation.


LOCALE MANAGEMENT INFORMATION

Locale Management Information: This DVD player is designed and manufactured to respond to the Locale Management information that is recorded on a DVD disc. If the Locale number described on the DVD disc does not correspond to the Locale number of this DVD player, this DVD player cannot play this disc. (See page1-3, REGION CODE.)

This product incorporates copyright protection technology that is protected by method claims of certain U.S. patents and other intellectual property rights owned by Macrovision Corporation and other rights owners. Use of this copyright protection technology must be authorized by Macrovision Corporation, and is intended for home and other limited viewing uses only unless otherwise authorized by Macrovision Corporation. Reverse engineering or disassembly is prohibited.

TO SERVICE PERSONNEL

1. Critical Components Information

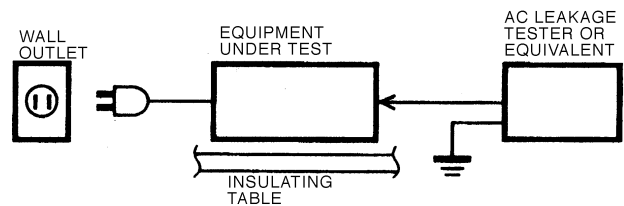
Components having special characteristics are marked  and must be replaced with parts having specifications equal to those originally installed.

2. Leakage Current Measurement (For 120V Models Only)

When service has been completed, it is imperative to verify that all exposed conductive surfaces are properly insulated from supply circuits.

- Meter impedance should be equivalent to 1500 ohm shunted by 0.15 μ F.

- Leakage current must not exceed 0.5mA.



- Be sure to test for leakage with the AC plug in both polarities.

WARNING: CHEMICAL CONTENT NOTICE!

The solder used in the production of this product contains LEAD. In addition, other electrical/electronic and/or plastic (where applicable) components may also contain traces of chemicals found by the California Health and Welfare Agency (and possibly other entities) to cause cancer and/or birth defects or other reproductive harm.

DO NOT PLACE SOLDER, ELECTRICAL/ELECTRONIC OR PLASTIC COMPONENTS IN YOUR MOUTH FOR ANY REASON WHATSOEVER!

Avoid prolonged, unprotected contact between solder and your skin! When soldering, do not inhale solder fumes or expose eyes to solder/flux vapor!

If you come in contact with solder or components located inside the enclosure of this product, wash your hands before handling food.

WARNING: Laser Safety

This product contains a laser beam component. This component may emit invisible, as well as visible radiation, which may cause eye damage. To protect your eyes and skin from laser radiation, the following precautions must be used during servicing of the unit.

- 1) When testing and/or repairing any component within the product, keep your eyes and skin more than 30cm away from the laser pick-up unit at all times. Do not stare the laser beam at any time.
- 2) Do not attempt readjustment, disassemble or repair of the laser pick-up, unless notes elsewhere in this manual.
- 3) CAUTION : Use of controls, adjustments or performance of procedures other than those specified herein may result in hazardous radiation exposure.

Laser Emitting conditions:

- 1) When the Top Cover is removed, and POWER SW is turned to the "ON" position, the laser component will emit a beam for several seconds to detect if a disc is present. During this time (5-10sec.) the laser may radiate through the lens of the laser pick-up unit. Do not attempt any servicing during this period! If no disc is detected, the laser will stop emitting the beam. When a disc is set, you will not be exposed to any laser emissions.
- 2) The laser power level can be adjusted with VR on pick-up PWB, however, this level has been set by the factory prior to shipping from the factory. Do not adjust this laser level control unless instruction is provided elsewhere in this manual.
Adjustment of this control can increase the laser emission level from the device.

Laser Diode Properties

Material	: GaAlAs	Laser output	: Max.6mW
Wavelength	: 660~676nm	ANSI Class	: Class 1
Emission duration	: Continuous		

- * This output is the value measured at a distance of about 200mm from the objective lens surface on the Optical Pick-up Block,

VARO! : AVATTAESSA JA SUOJALUKITUS OHITETTAESSA OLET ALTTIINA NÄKYMÄTTÖMÄLLE LASER-SÄTEILYLLE. ÄLÄ KATUO SÄTEESEEN.

WARNING! : OSYNIG LASERSTRÅLNING NÄR DENNA DEL ÄR ÖPPNAD OCH SPÄRREN ÄR URKOPPLAD. BETRAKTA EJ STRÅLEN.

① **G, B models**

CLASS 1 LASER PRODUCT

② **G, B models**

CAUTION	- LASER RADIATION WHEN OPEN. DO NOT STARE INTO BEAM.
ATTENTION	- RAYONNEMENT LASER EN CAS D'OUVERTURE. NE PAS REGARDER DANS LE FAISCEAU.
VORSICHT	- LASERSTRAHLUNG, WENN ABDECKUNG GEÖFFNET. NICHT IN DEN STRAHLEN BLICKEN.
ADVARSEL	- LASERSTRÅLING VED ÅBNING. SE IKKE IND I STRÅLEN.
ADVARSEL	- LASERSTRÅLING NÄR DENNA DELN ÖPPNAS. STORA IKKE IN I STRÅLEN.
VARNING	- LASERSTRÅLNING NÄR DENNA DEL ÄR ÖPPNAD. STORRA EJ IN I STRÅLEN.
VARO!	- AVATTAESSA OLET ALTTIINA LASERSTRÄILYLLE. ÄLÄ TULUJOTA SÄTEESEEN.
注意	- 当打开这里会出现激光。请不要直视激光。
注意	- ここを覗くとレーザー光が出ます。レーザー光をのぞき込まないでください。

PREVENTION OF ELECTRO STATIC DISCHARGE (ESD) TO ELECTROSTATICALLY SENSITIVE (ES) DEVICES

Some semiconductor (solid state) devices can be damaged easily by static electricity. Such components commonly are called Electrostatically Sensitive (ES) Devices. Examples of typical ES devices are integrated circuits and some field-effect transistors and semiconductor “chip” components. The following techniques are used to help reduce the incidence of component damage caused by electro static discharge (ESD).

1. Immediately before handling any semiconductor component or semiconductor-equipped assembly, drain off any ESD on your body by touching a known earth ground. Alternatively, obtain and wear a commercially available discharging ESD wrist strap, which should be removed for potential shock reasons prior to applying power to the unit under test.
2. After removing an electrical assembly equipped with ES devices, place the assembly on a conductive surface such as aluminum foil, to prevent electrostatic charge buildup or exposure of the assembly.
3. Use only a grounded-tip soldering iron to solder or unsolder ES devices.
4. Use only an anti-static solder removal device. Some solder removal devices not classified as “anti-static (ESD protected)” can generate electrical charge sufficient to damage ES devices.
5. Do not use freon-propelled chemicals. These can generate electrical charges sufficient to damage ES devices.
6. Do not remove a replacement ES device from its protective package until immediately before you are ready to install it. (Most replacement ES devices are packaged with leads electrically shorted together by conductive foam, aluminum foil or comparable conductive material).
7. Immediately before removing the protective material from the leads of a replacement ES device, touch the protective material to the chassis or circuit assembly into which the device will be installed.

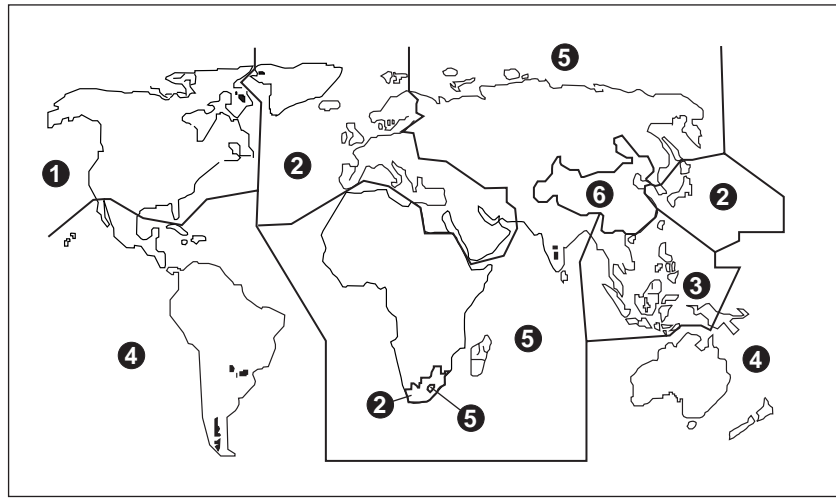
CAUTION: Be sure no power is applied to the chassis or circuit, and observe all other safety precautions.

8. Minimize bodily motions when handling unpackaged replacement ES devices. (Otherwise harmless motion such as the brushing together of your clothes fabric or the lifting of your foot from a carpeted floor can generate static electricity (ESD) sufficient to damage an ES device).

IMPORTANT SAFETY NOTICE

There are special components used in this equipment which are important for safety. These parts are marked by in the schematic diagrams, exploded views and replacement parts list. It is essential that these critical parts should be replaced with manufacturer's specified parts to prevent shock, fire, or other hazards. Do not modify the original design without permission of manufacturer.

REGION CODE



PRECAUTION OF LASER DIODE

CAUTION:

This unit utilizes a class II laser. Visible laser radiation is emitted from the optical pickup lens when the unit is tuned on:

1. Do not look directly into the pickup lens.
2. Do not use optical instruments to look at the pickup lens.
3. Do not adjust the preset variable resistor on the optical pickup.
4. Do not disassemble the optical pickup unit.
5. If the optical pickup is replaced, use the manufactures specified replacement pickup only.
6. Use of control or adjustment or performance of procedures other than those specified herein may result in hazardous radiation exposure.

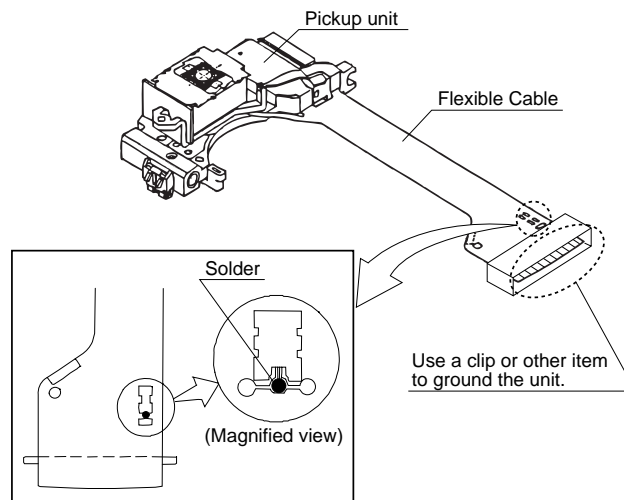
HANDLING PRECAUTIONS FOR TRAVERSE DECK

The laser diode in the optical pickup may break down due to potential difference caused by static electricity of clothes or human body.

So be careful of electrostatic breakdown during repair of the optical pickup.

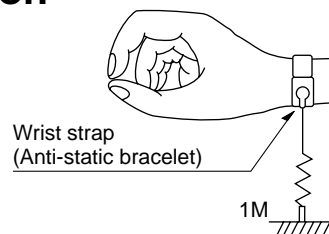
Handling of optical pickup

1. Do not subject the optical pickup to static electricity as it is extremely sensitive to electrical shock.
2. To prevent the breakdown of the laser diode, an antistatic shorting pin is inserted into the flexible board (FPC Board).
When removing or connecting the short pin, finish the job in as short times as possible.
3. Be careful not to apply excessive stress to the flexible board (FPC Board).
4. Do not turn the variable resistor (Laser power adjustment). It has already been adjusted.



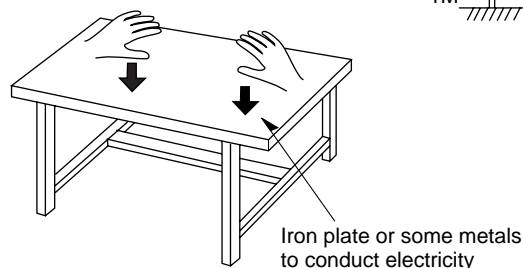
Grounding for electrostatic breakdown prevention

1. Human body grounding.
Use the antistatic wrist strap to discharge the static electricity from your body.
2. Work table grounding.
Put a conductive material (sheet) or steel on the area where the optical pickup is placed and ground the sheet.



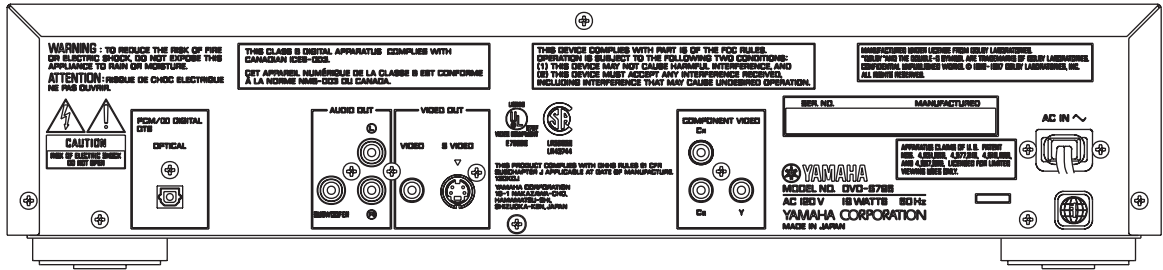
Caution:

The static electricity of your clothes will not be grounded through the wrist strap. So take care not to let your clothes touch the optical pickup.

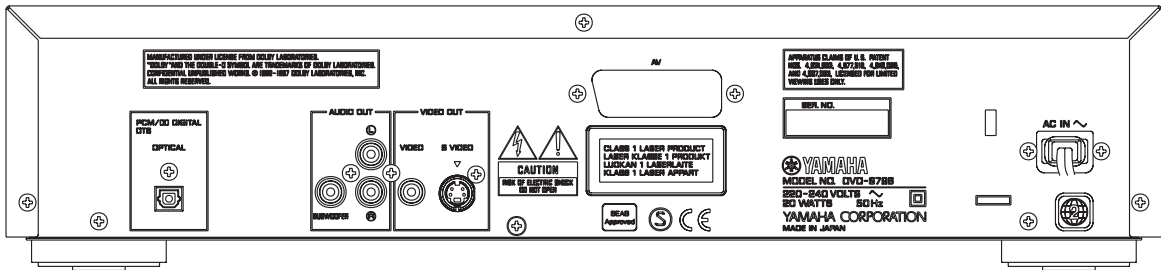


REAR PANELS

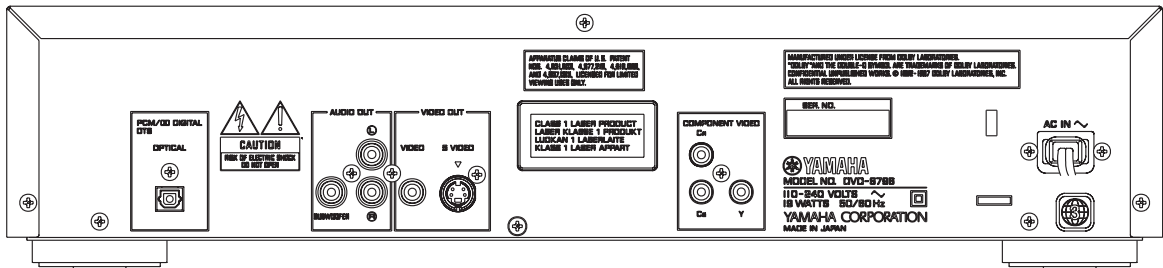
U model



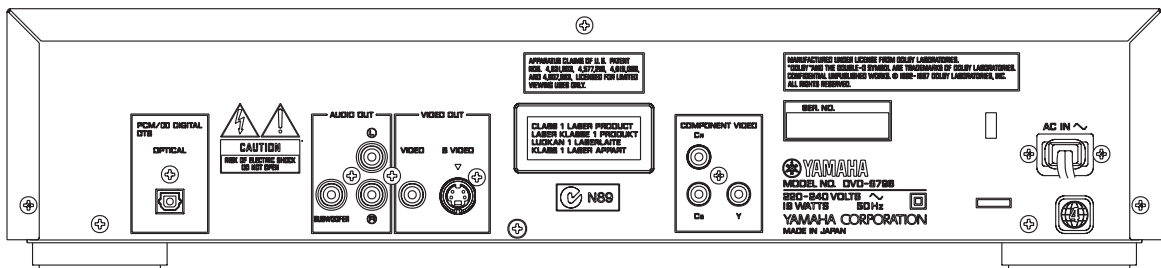
G, B models



R model



A model



OPTICAL PICKUP SELF-DIAGNOSIS AND REPLACEMENT PROCEDURE

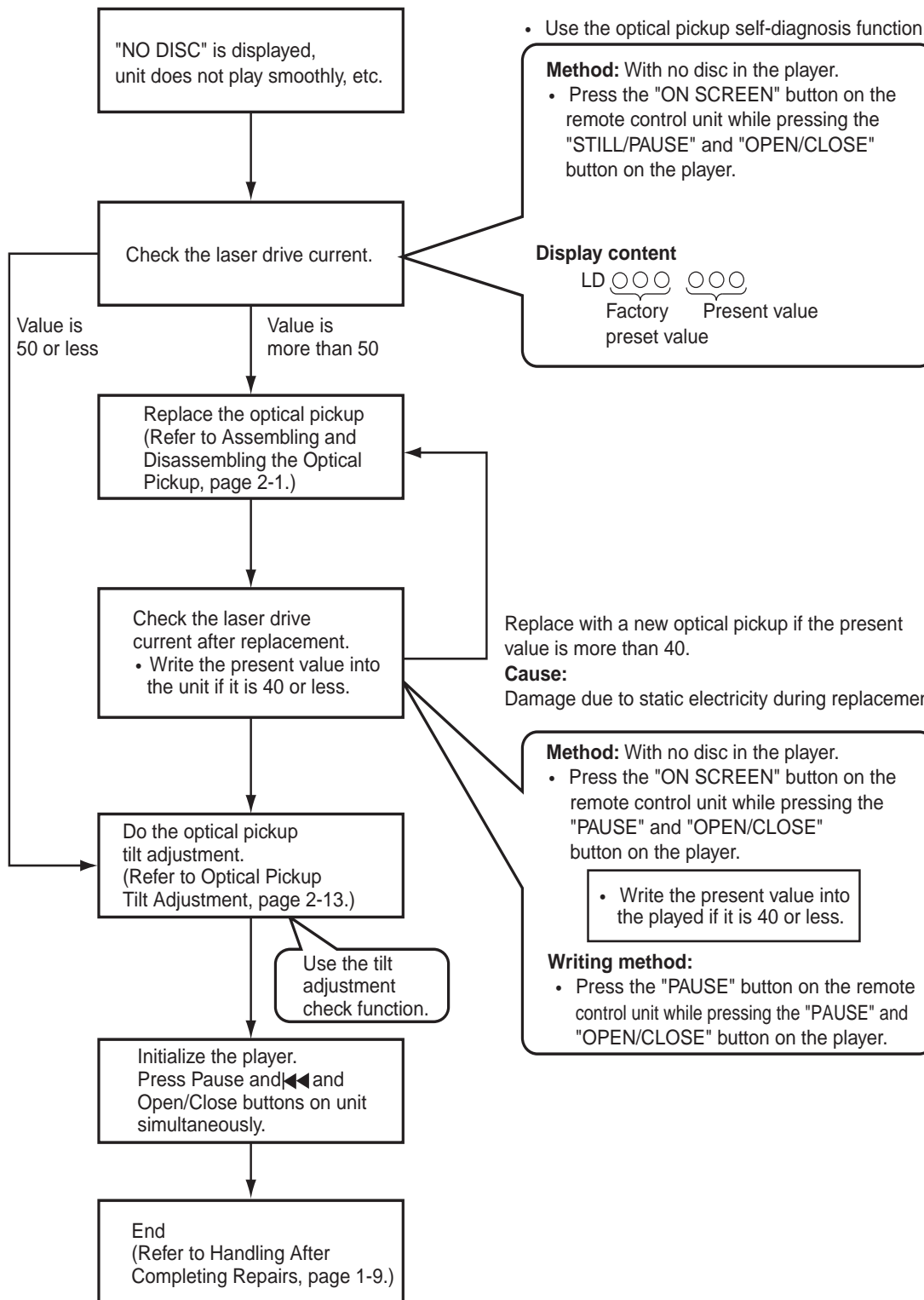
The optical pickup self-diagnosis function and tilt adjustment check function have been newly added to this player. When repairing, use the following procedure for effective Self-diagnosis and tilt adjustment.

Be sure to use the self-diagnosis function before replacing the optical pickup when "NO DISC" is displayed. As a guideline, you should replace the optical pickup when the value of the laser drive current is more than 50.

Note

Press the power button to turn on the power, and check the value before the unit warms up (within three minutes).

- Use the self diagnosis function below when "NO DISC" is displayed or unit doesn't read a disc, before replacing the OPU.



SELF-DIAGNOSIS FUNCTION AND SERVICE MODES

1. Service Mode Table

The service mode can be activated by pressing various button combinations on the player and remote control unit.

Player buttons	Remote control unit button	Application	Note
PAUSE + OPEN/CLOSE	0	Displaying the UHF display F_ _ _	Refer to Self-Diagnosis Function (UHF Display), in page 1-7.
	5	Tilt adjustment (JIT 070 to JIT 090 is normal range for a good pickup head.)	Refer to Optical Pickup Tilt Adjustment, in page 2-13.
	6	Checking the region numbers and broadcast system	
	7	Checking the program version	Check the IC6302 FLASH ROM program.
	9	Lighting Confirmation Function of Display Tube	
	ON SCREEN	Checking the laser drive current	Refer to Optical Pickup Self-Diagnosis and Replacement, in page 1-6.
	STILL/PAUSE	Writing the laser drive current value after replacing the optical pickup (do not use for anything other than optical pickup replacement)	Procedure.
STILL/PAUSE SKIP ◀◀ OPEN/CLOSE	—	Initializing the DVD player (restoring factory preset settings) Use when replacing a microprocessor, microprocessor peripheral parts, or C. B. A.	Refer to Initializing the DVD Player, in page 1-9.

2. Self-Diagnosis Function (UHF Display)

This unit incorporates a convenient self-diagnosis function for use in troubleshooting.

Display method	Display	Diagnosis	Checkpoints
Service numbers displayed during use.	U11	Focus error	IC2001, IC2511, IC5201, pickup
	H01	Tray loading error	IC2001, IC2511 loading motor
	H02	Spindle servo error	Spindle motor, IC2501, IC2001
	H03	Traverse error	Stepping motor, IC2511, IC2001
	H04	Tracking servo error	IC2001, IC2501, IC5201, pickup, disc
	H05	Seek error	Stepping motor, IC2511, IC2001
	H06	Power supply error	IC1021, IC1121, IC1151, IC6001
Press the "0" button on the remote control unit while pressing the "STILL/PAUSE" and "OPEN/CLOSE" button on the player.	F0**	Disc format error	If this type of error occurs, refer to Examples of Repairs Using Error Codes, in page 1-8.
	F1**	Disc code error	
	F2**	Decoder LSI error	
	F3**	SDRAM error	
	F4**	IIC BUS error	
	F5**	DSC	
	F6**	ECC error	
	F7**	Microprocessor error	
	F8**	Microprocessor error	

3. Examples of Repairs Using Error Code

Refer to this section when carrying out repairs.

Error display	Malfunction example
F0**	Disc, IC7001
F103	Disc, IC7001
F4FF	IC6001
F500	Optical pickup, IC2001, IC5201, IC2511, IC2501
F501	IC2001, IC6201
F502	IC2501, IC2511, IC2001, IC5202
F504	IC5202, IC2001
F505	Disc, IC2501, IC2511, IC5202, IC2001
F506	Disc, Optical pickup, IC2001
F600	Disc, IC7001, IC5202, IC2001
F601	Disc, IC7001
F602	Disc, IC5202, IC2001
F603	Disc, IC5202, IC2001
F610	IC7001
F611	IC7001, IC5202, IC2001
F612	IC7001, IC15202, IC2001
F620	Laser drive circuit
F621	Laser drive circuit
F700	IC6201
F701	IC6201
F702	IC6201
F880	IC6201
F890	IC6201
F891	IC6201
F8A0	IC6201
F893	IC6302
F894	IC6303

4. Sales Demonstration Lock Function

This function prevents discs from being lost when the unit is used for sales demonstrations, by disabling the disc eject function. "LOCKED" is displayed on the unit, and ordinary operation is disabled.

4-1. Setting Method

The sales demonstration lock function is set by simultaneously pressing the "POWER" button of DVD Player on the remote control unit and the "STOP" button on the main unit. ("LOCKED" is displayed when the lock function is engaged.)

4-2. Release Method

The function can be released using the same procedure as for setting. If the remote control unit is not at hand, the function can be released by using the same method as for player initialization (pressing the "PAUSE", "SKIP ◀◀" and "OPEN/CLOSE" buttons simultaneously).

SERVICE PRECAUTIONS

1. Initializing the DVD Player

Initialize the DVD player whenever you replace a microprocessor, microprocessor peripheral parts, module C.B.A or mother C.B.A.

1-1. Precautions

The customer settings will return to factory preset settings when the player is initialized. Make a note of the settings and reset them after initializing.

- When resetting, see the Initial Setting in the Operating Instructions.

1-2. Initialization Method

The player will be initialized (return to the factory preset condition) when you press the "PAUSE", "SKIP ◀◀" and "OPEN/CLOSE" buttons simultaneously. When the DVD player is initialized, "All Clear" appears on screen, it also displays "INITIALIZED".

2. Handling After Completing Repairs

Use the following procedure to secure the traverse unit in the standby position.

2-1. Method

With the power turned on:

1. Press the "OPEN/CLOSE" button to close the tray.
2. Press the "POWER" button to turn off the power.
3. Disconnect the power plug from the outlet.

2-2. Precautions

Do not disconnect the power plug from the outlet with the tray still open, then close the tray manually. If you were to do so, the traverse unit would not go to the upper (standby) position, and the player could not be transported.

SERVICE TOOLS AND EQUIPMENT

1. Service Tools and Equipment Table

Application	Name	Number
General	DVD test disc	DVDT-S15 (AAX07320) or DVDT-S01 (TX946080)
Tilt adjustment	Hex wrench	JZS0100 (TX946380) , 1.2mm
	Adjustment table	
Inspection	Extension cables (Power supply C.B.A. to mother C.B.A.)	JGS0099 (TX946360)
	Extension cable (module C.B.A. to mother C.B.A.)	JGS0098 (TX946370) × 2
Others	Screw lock	RZZ0L01 (TX946400)
	Grease	JGS0091 (TX946260) JGS0092 (TX946270)
	Lubricant	JZS0648 (TX946410)
	Grease	JGS0101 (TX946390)
Confirmation	CD test disc	SZZP1054C (TX946090)
	VCD test disc	PVCD_K06 (TX946090)
Electrical adjustment	Oscilloscope	
	Probe	
	AV cable	VJA0658 (MX605190)
	TV monitor	
General	General tools (Screwdriver, etc.)	
Static electricity countermeasures	Soldering iron (with ESD countermeasure)	
	Anti-static wrist strap	
	Conductive material (conductive sheet)	

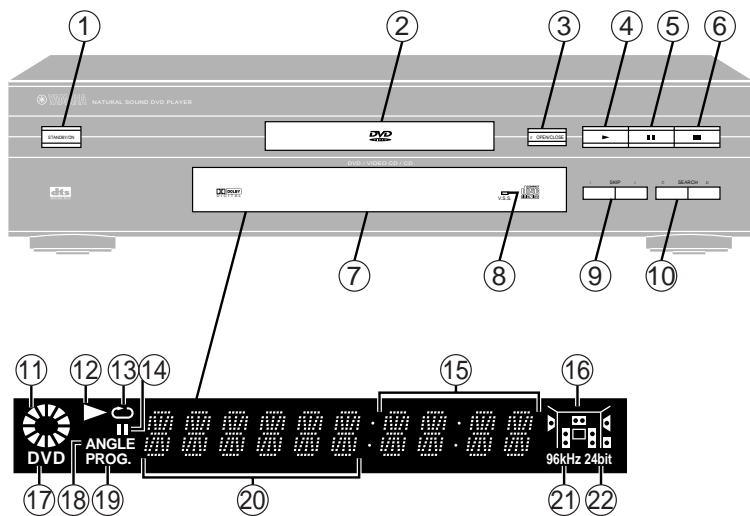
2. Storing and Handling Test Discs

Surface precision is vital for DVD test discs. Be sure to store and handle them carefully.

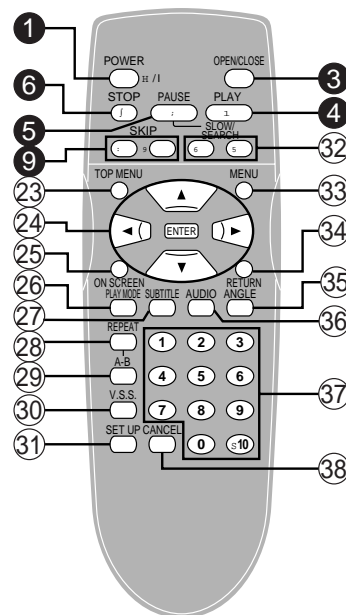
1. Do not place discs directly onto the workbench, etc., after use.
2. Handle discs carefully in order to maintain their flatness.
Place them into their case after use and store them vertically. Store discs in a cool place where they are not exposed to direct sunlight or air from air conditioners.
3. Accurate adjustment will not be possible if the disc is warped from being placed on a surface made of glass, etc. If this happens, use a new test disc to make optical adjustments.
4. If adjustment is done using a warped disc, the adjustment will be incorrect and some discs will not be playable.

OPERATING INSTRUCTIONS

Control reference guide



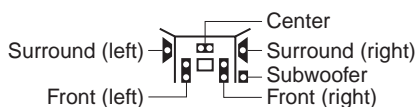
Buttons such as ❶ function in exactly the same way as the buttons on the player.



Player

Owner's Manual Page

- ❶ **Standby/On button (STANDBY/ON)** 14
Press to switch the unit from on to standby mode or vice versa. In standby mode, the unit is still consuming a small amount of power.
- ❷ **Disc tray** 14
- ❸ **Disc tray open/close button (▲OPEN/CLOSE)** 14
- ❹ **Play button (▶)** 14
- ❺ **Pause button (⏸)** 16
- ❻ **Stop button (■)** 15
- ❼ **FL display**
- ❽ **Virtual Surround Sound indicator (V.S.S.)** 21
- ❾ **Skip button (◀◀ SKIP ▶▶)** 16
- ❿ **Search button (◀◀ SEARCH ▶▶)** 17
- ⓫ Rotates during play.
Rotates fast clockwise or counter clockwise during rapid advance (reverse).
Rotates slowly clockwise or counter clockwise during slow-motion play. **[DVD] [VCD]**
- ⓬ Illuminates in the stop mode.
- ⓭ **Illuminates during playback.**
Flashes when the RESUME function is ON.
- ⓮ **Illuminates during repeat play.**
- ⓯ **Illuminates in the still picture (pause) mode.**
- ⓰ **Elapsed playing time from the start of the title/track during play.**
- ⓱ **Audio channel information recorded in the disc being played back (e.g. 2ch or 5.1ch).**



- ⓯ **A DVD is loaded.**
- ⓮ **It is possible to switch the angle.** **[DVD]**
- ⓯ **Illuminates during program play.** **[VCD] [CD]**
- ⓰ **Title/chapter number** **[DVD]**
- ⓱ **Track number** **[VCD] [CD]**
Linear PCM of 96 kHz sampling is being played.
- ⓲ **Linear PCM of 24 bit is being played.**

Remote control

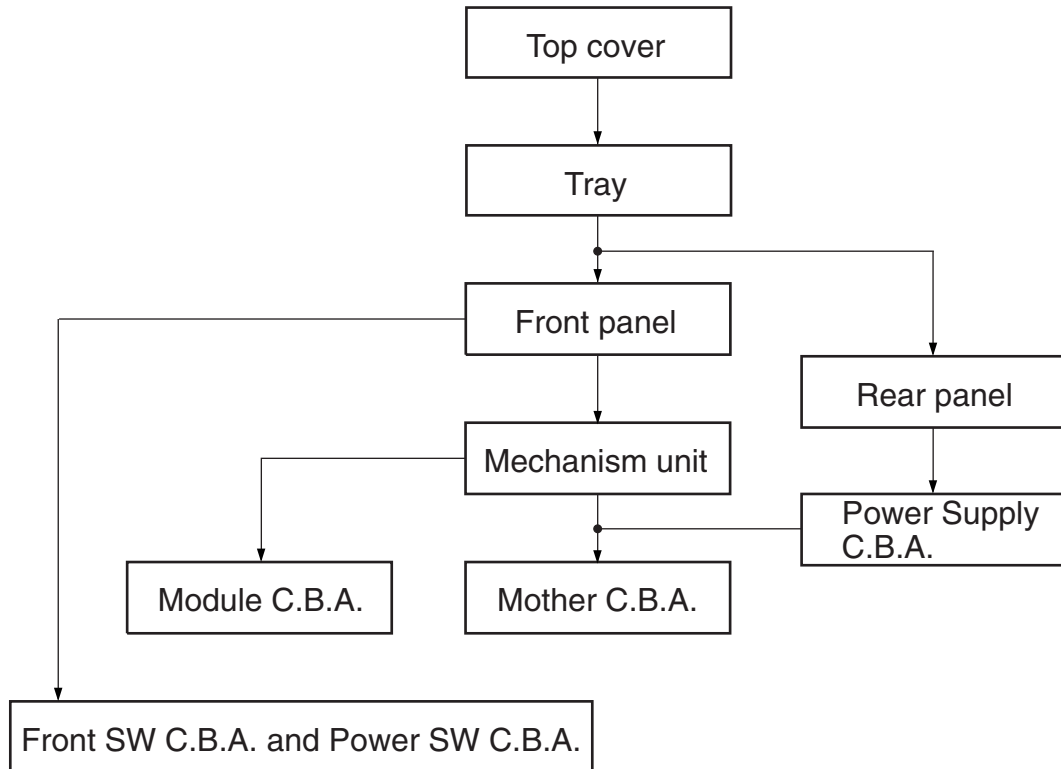
Owner's Manual Page

- ⓳ **Top menu button (TOP MENU)** 14
- ⓴ **Cursol button (▲, ▼, ◀, ▶) /Enter button (ENTER)** .. 14
- ⓵ **On screen button (ON SCREEN)** 25
- ⓶ **Play mode button (PLAY MODE)** 23
- ⓷ **Subtitle button (SUBTITLE)** 20
- ⓸ **Repeat button (REPEAT)** 22
- ⓹ **A-B repeat button (A-B)** 22
- ⓺ **Virtual Surround Sound button (V.S.S.)** 21
- ⓻ **Setup buttons (SET UP)** 28
- ⓼ **Slow/Search buttons (◀◀, ▶▶ SLOW/SEARCH)** 17
- ⓽ **Menu button (MENU)** 14
- ⓾ **Return button (RETURN)** 14
- ⓿ **Angle button (ANGLE)** 20
- ⓿ **Audio button (AUDIO)** 19
- ⓿ **Numeric buttons (1-9, 0, ≧ 10)** 14
• To select a 2-digit number
Example: To select track 23
Press [≧ 10], then [2] and [3].
- ⓿ **Cancel button (CANCEL)** 23

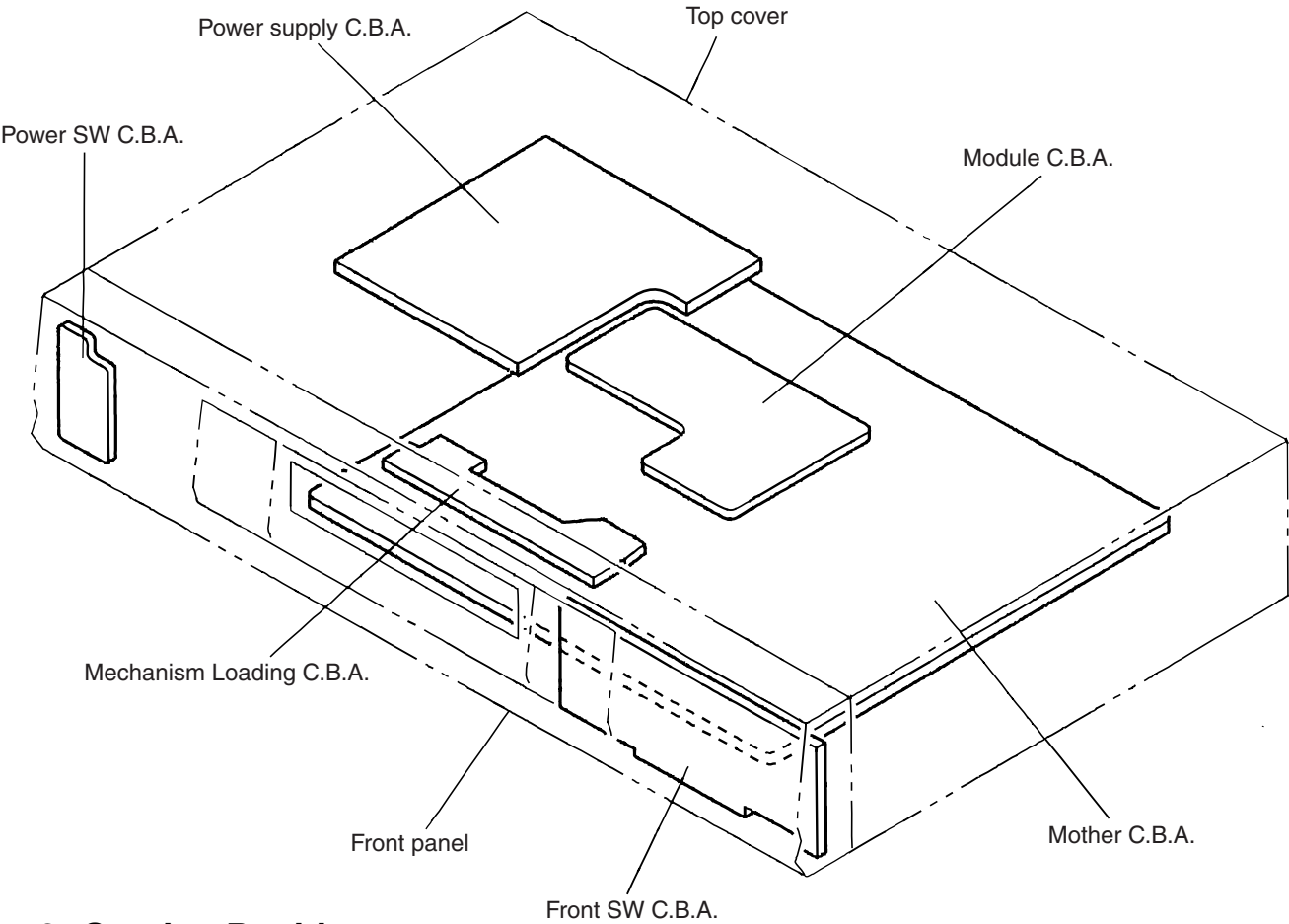
SECTION 2 ASSEMBLING AND DISASSEMBLING THE CASING AND CHECKING C.B.A.s

1. Disassembly Procedure

When servicing the unit, use the following procedure to disassemble the casing and inside parts for internal inspection.



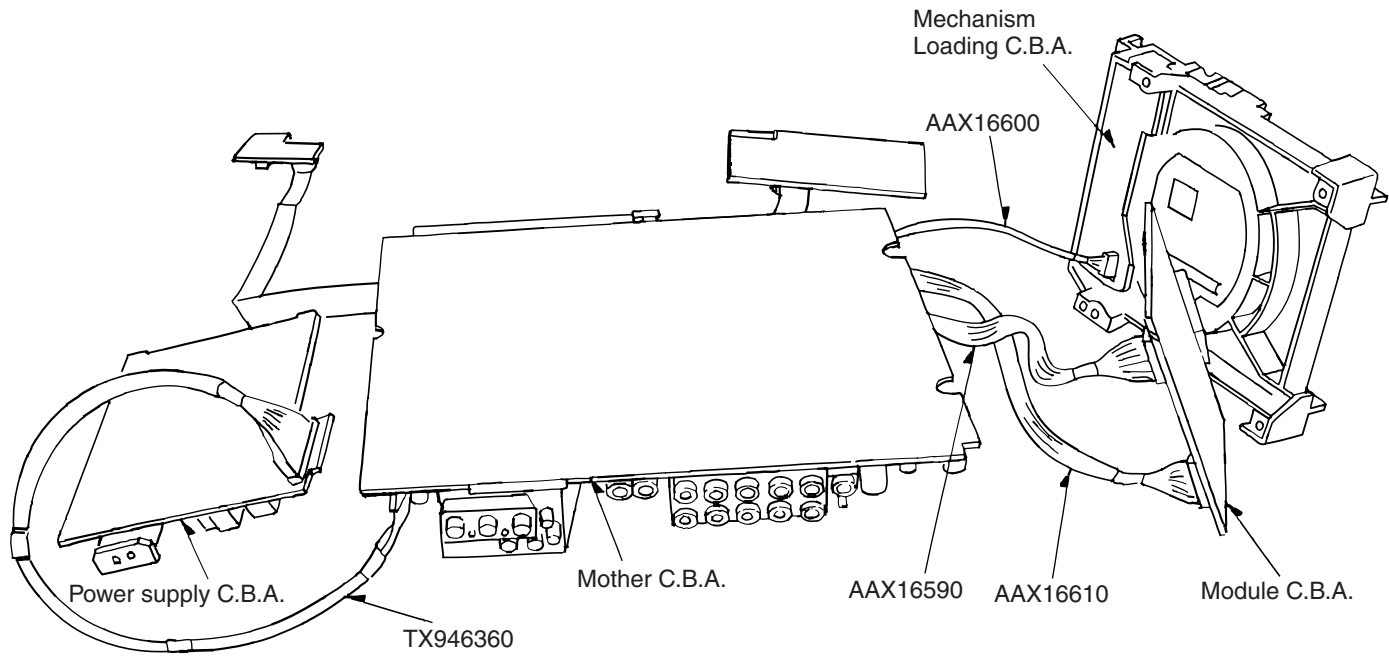
2. Casing Parts and C.B.A. Positions



3. Service Positions

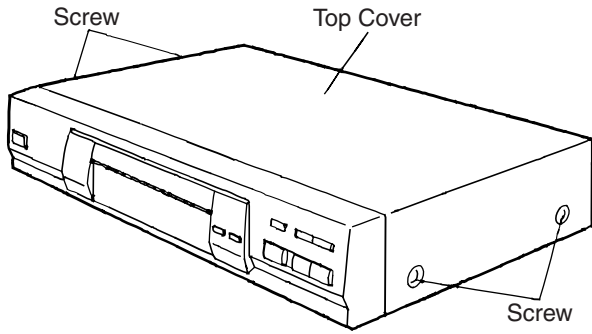
Note

To inspect the loading base unit, position the left side upward (as viewed from the front).

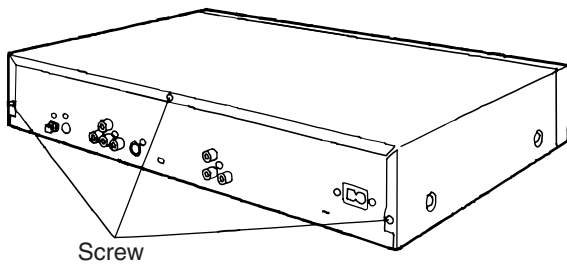


4. Disassembling the Top Cover

1. Remove the 4 screws.

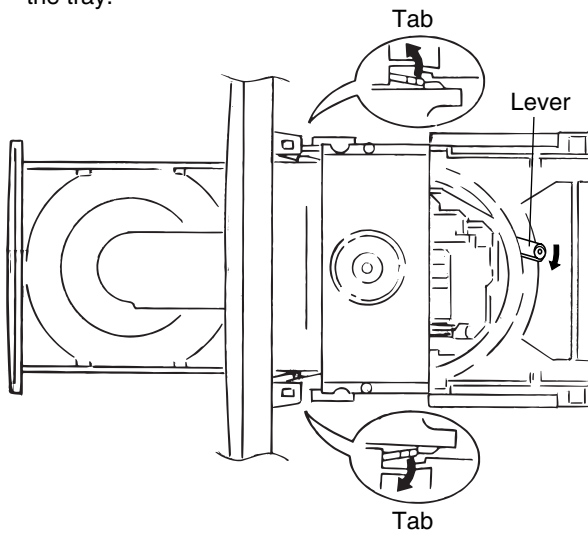


2. Remove the 3 screws.



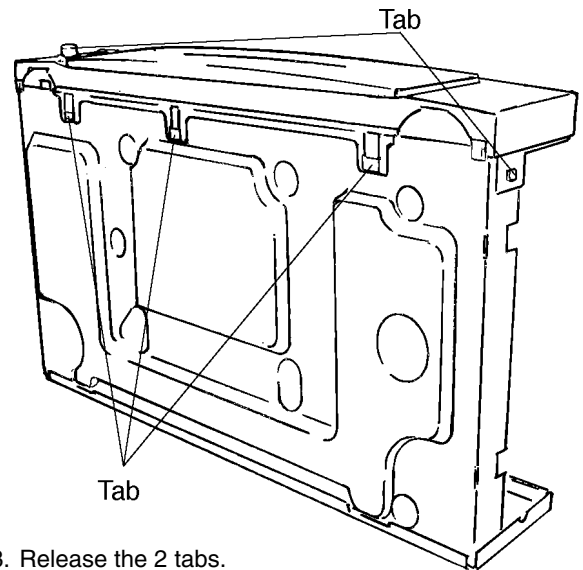
5. Disassembling the Tray

1. Turn the lever clockwise.
2. Move the tray in the direction of the arrow until it locks.
3. Release the tab locks on the left and right, then pull out the tray.

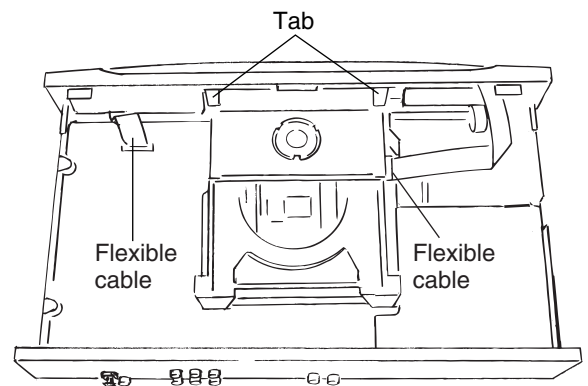


6. Disassembling the Front Panel

1. Release the 3 tabs on the bottom.
2. Release the 2 tabs on the left and right.



3. Release the 2 tabs.
4. Disconnect the 2 flexible cables.

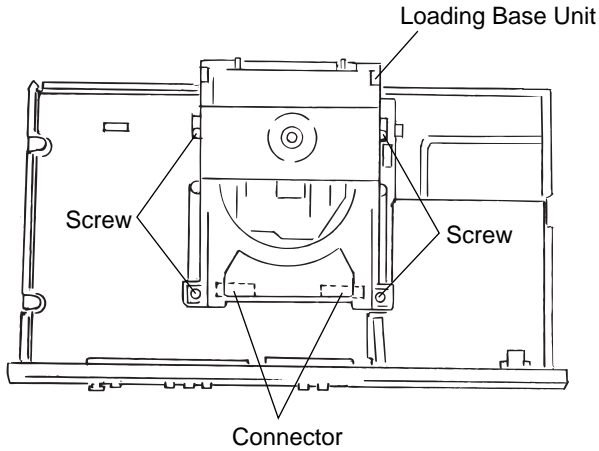


7. Disassembling the Loading Base Unit

1. Remove the 4 screws.
2. Pull out the loading base unit vertically.

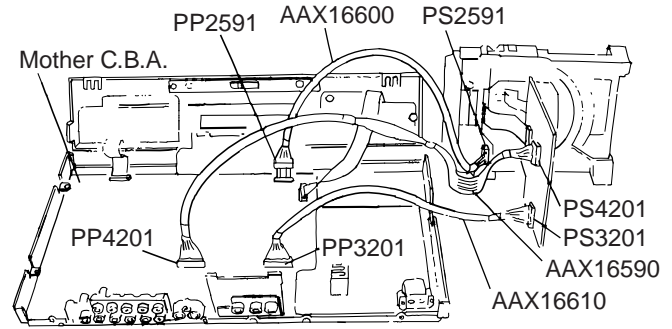
Note

There is a danger of damaging the connectors.



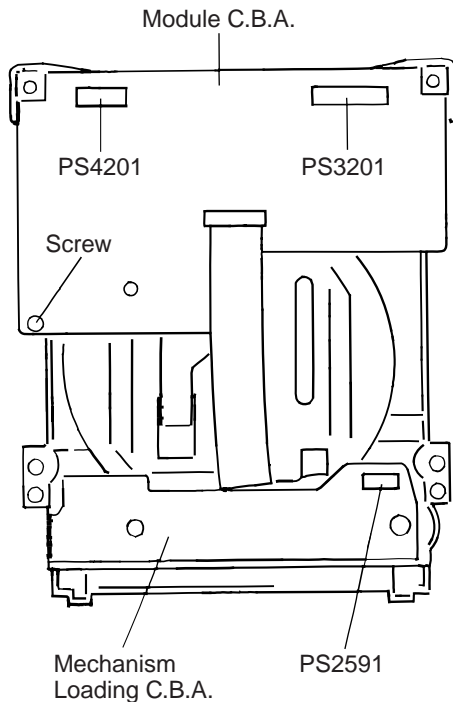
2. Connect the module C.B.A. to the mother C.B.A. extension cables for inspection.
 - Extension cable: AAX16590 (VUC8026)
 - Extension cable: AAX16610 (JGS0116)
 Mother C.B.A. Module C.B.A.
 PP4201-PS4201
 PP3201-PS3201

3. Connect the mechanism loading C.B.A. to the mother C.B.A. with the extension cables for inspection.
 - Extension cable: AAX16600 (VUC8027)
 Mother C.B.A. Mechanism Loading C.B.A.
 PP2591-PS2591



8. Checking the Module C.B.A.

1. Remove the screw.

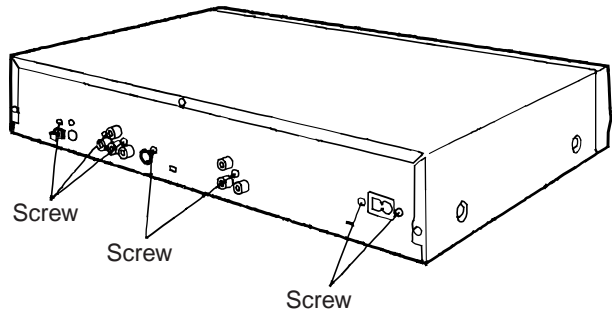


Note

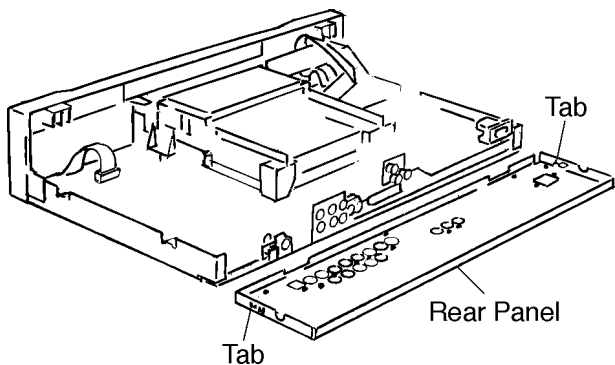
Be sure to initialize the player whenever you replace a C.B.A. (Refer to section 1-9, Initializing the DVD Player.)

9. Disassembling the Rear Panel

1. Remove all of the screws connected to the rear panel. (The number of screws varies according to the model).

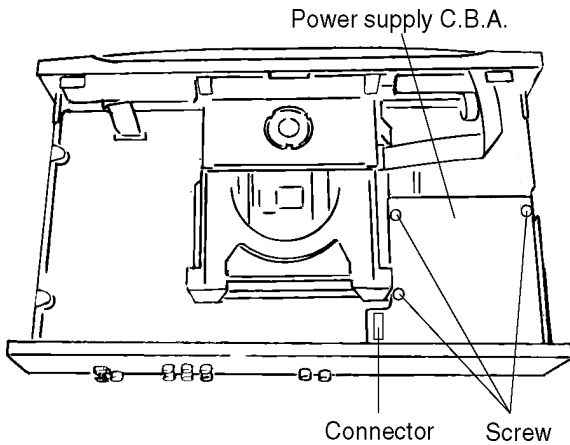


2. Release the two tabs on the left and right.



10. Checking the Power Supply C.B.A.

1. Remove the 3 screws.



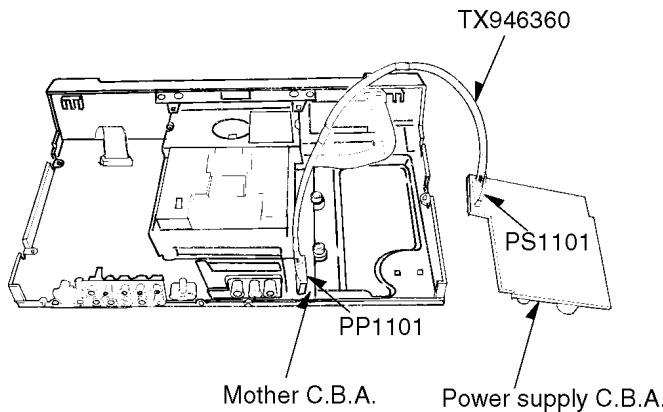
2. Carefully pull out the power supply C.B.A.

Note

There is a danger of damaging the connectors.

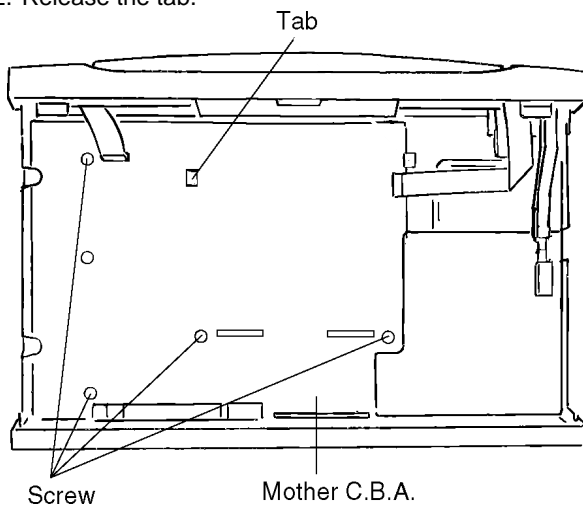
3. Connect the power supply C.B.A. and the mother C.B.A. with the extension cable for inspection.

- Extension cable: TX946360 (JGS0099) (connects the power supply C.B.A. PS1101 and the mother C.B.A. PP1101)



11. Checking the Mother C.B.A.

1. Remove the 4 screws.
2. Release the tab.

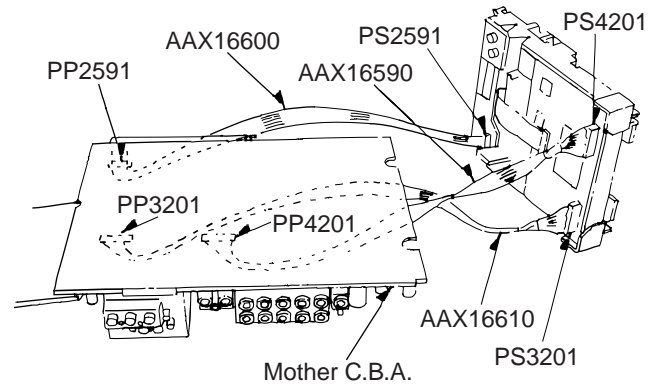


3. Checked by connecting the module C.B.A. and the mother C.B.A. with the extension cables.

- Extension cable: AAX16590 (VUC8026)
- Extension cable: AAX16610 (JGS0116)
- Module C.B.A. Mother C.B.A.
- PS3201-PP3201
- PS4201-PP4201

4. Checked by connecting the mechanism loading C.B.A. and the mother C.B.A. with the extension cables.

- Extension cable: AAX16600 (VUC8027)
- Mechanism loading C.B.A. Mother C.B.A.
- PS2951-PP2591

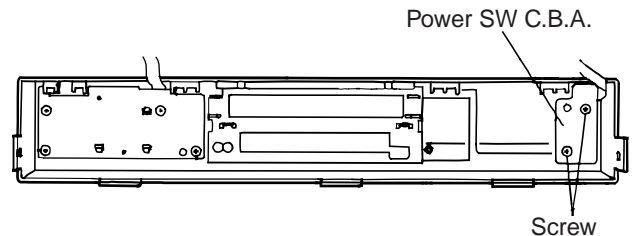


Note

Be sure to initialize the player whenever you replace a C.B.A. (Refer to section 1-9, initializing the DVD player.)

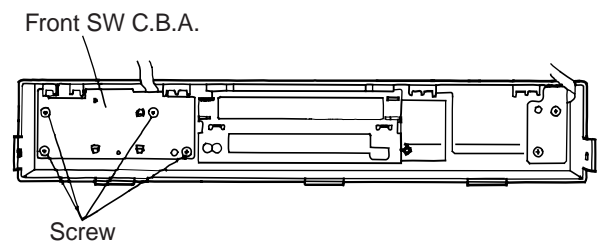
12. Checking the Power Switch C.B.A.

1. Remove the 4 screws.



13. Checking the Front Switch C.B.A.

1. Remove the 9 screws.



ASSEMBLING AND DISASSEMBLING THE OPTICAL PICKUP (MECHANICAL PARTS)

The optical pickup can be damaged by static electricity from your body. Be sure to take static electricity countermeasures when working around the optical pickup.

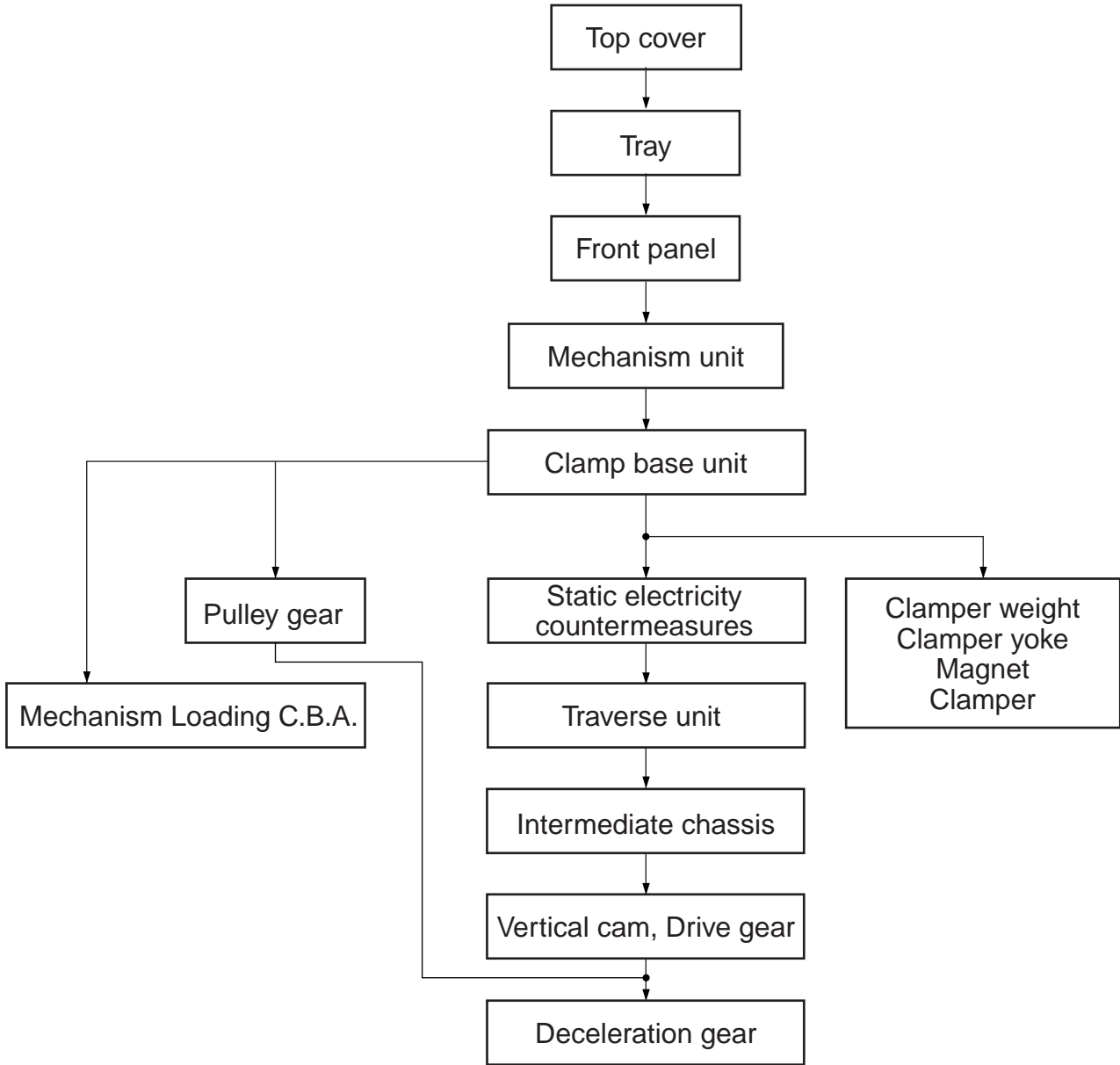
1. Handling the Optical Pickup

The optical pickup can be damaged by static electricity from your body. Be sure to take static electricity countermeasures when working around the optical pickup.

1. The optical pickup is an extremely high-precision mechanism. Do not subject it to strong impact.
2. To preserve the quality of the optical pickup replacement parts during transport and installation, the terminals of the laser diode are short-circuited. After replacing the parts, use the proper procedure to return the laser diode to its original condition. (Refer to page 2-11, Assembling the Optical Pickup.)
3. Testers cannot be used to check the laser diode of the optical pickup. The power supply inside the tester can easily damage the laser diode.
4. Take care when handling the flexible cable because excessive force can cause it to break.
5. You cannot adjust the semifixed resistor for laser power adjustment. Do not turn it.

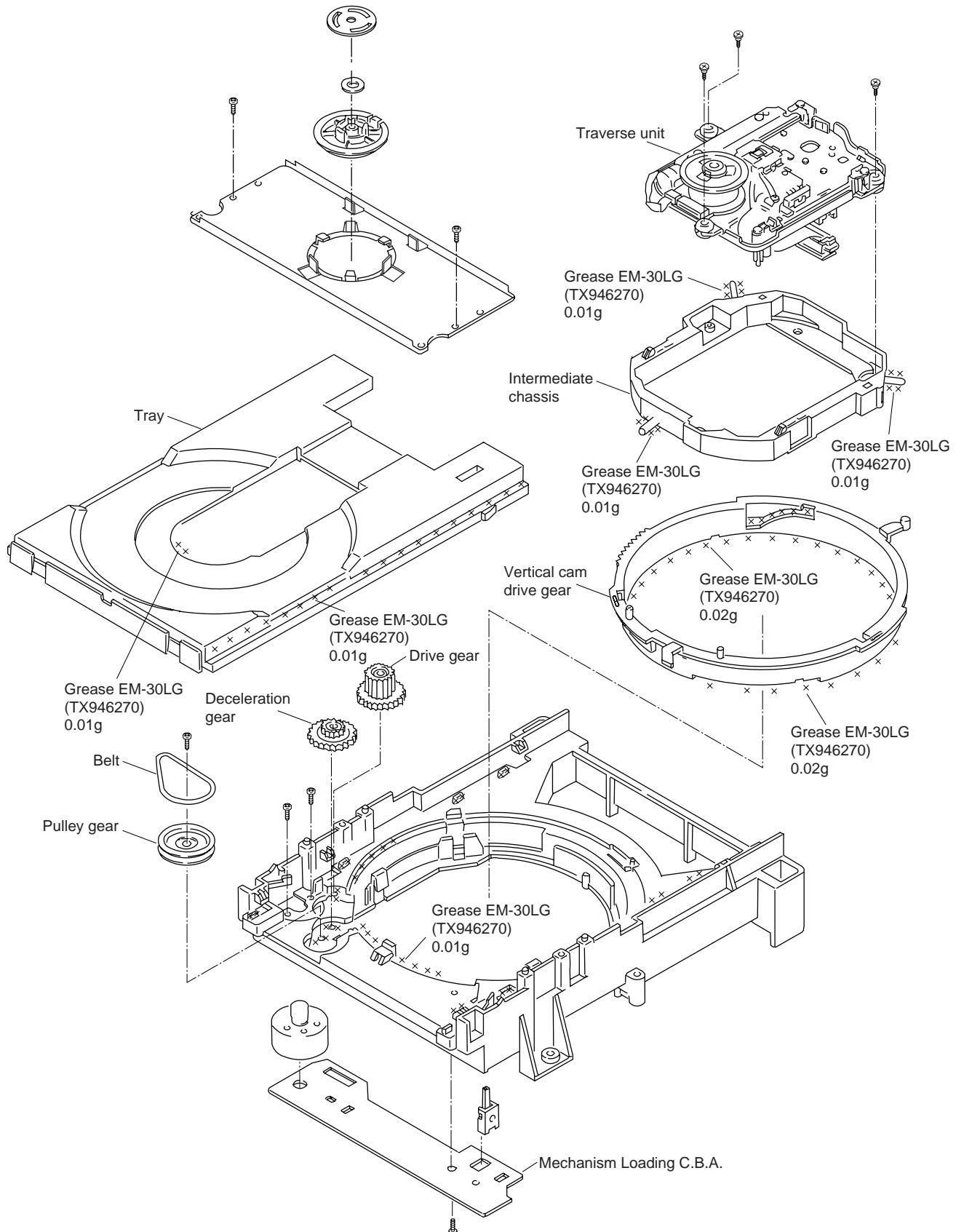
2. Disassembly Procedure

Use the following procedure to replace major parts.
For the assembly procedure, follow the flow chart in reverse.



3. Lubricating the Loading Base Unit

When replacing parts, lubricate the parts made "XXX" in the diagram



4. Static Electricity Countermeasures

The laser diode inside the traverse unit (optical pickup) can be damaged by static electricity from your body. Be sure to take static electricity countermeasures when working around the optical pickup.

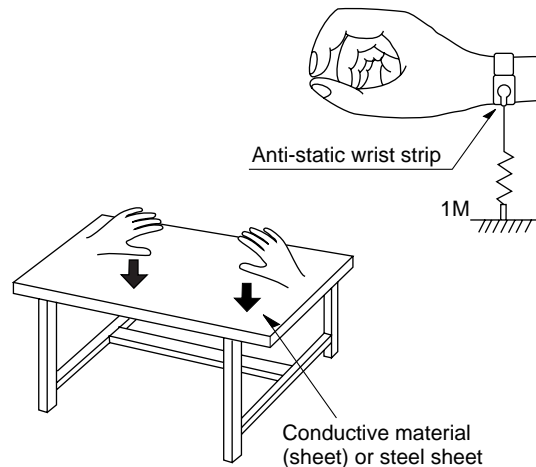
4-1. Static Electricity Countermeasure Methods

1. Ground yourself

Use an anti-static wrist strap to discharge static electricity from your body.

2. Ground the workbench

Lay a conductive material (sheet) or steel sheet on the surface where the traverse unit (optical pickup) is to be placed, then ground the sheet.

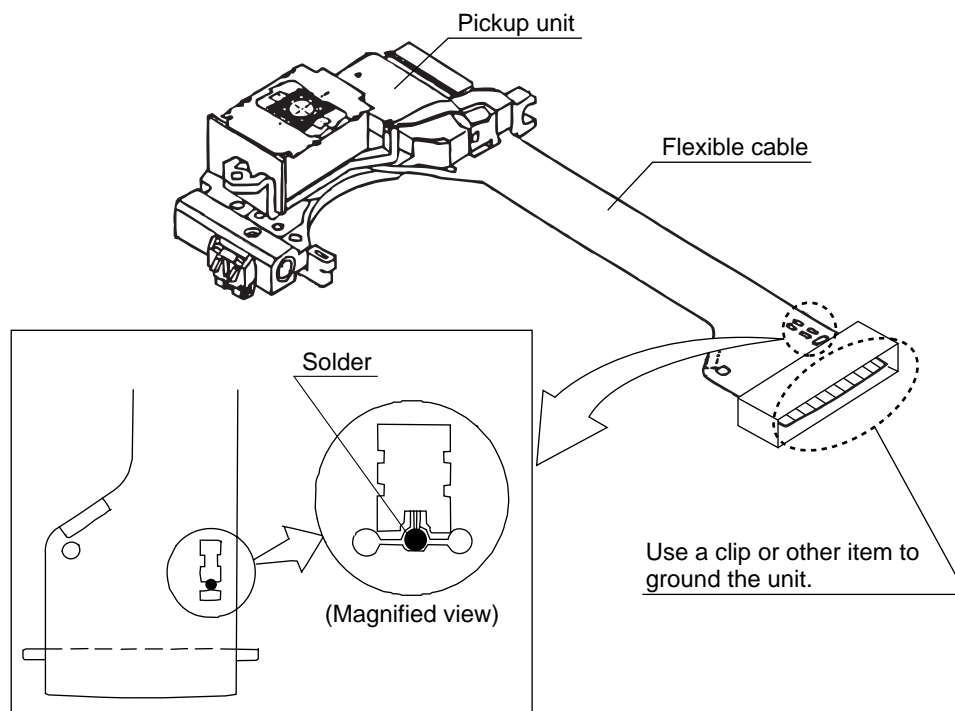


4-2. Short-circuit the laser diode

Solder the land in the flexible cable of the optical pickup.

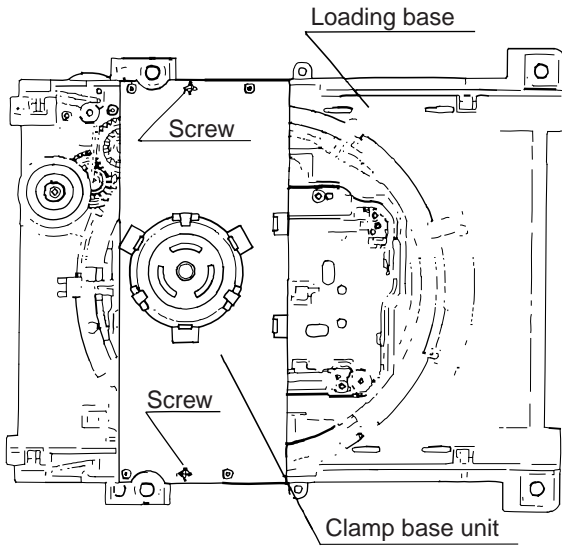
Notes

- Be sure to do this before disconnecting the flexible cable of the optical pickup from the module C.B.A.
- Use an anti-static soldering iron to short-circuit and unshort-circuit laser diode.
(Recommended soldering iron: Hakko with ESD countermeasure)
- After you have finished repairing the laser diode, follow the correct procedure to remove the solder from the short-circuit location. (Refer to page 2-7, Assembling and Disassembling the Optical Pickup (Mechanical Parts).)

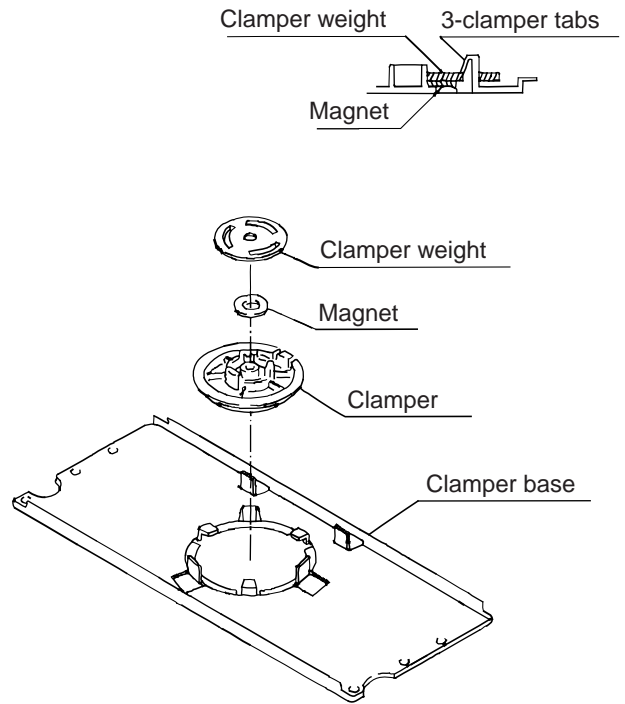


5. Disassembling the Clamp Base Unit

1. Remove the 2 screws.

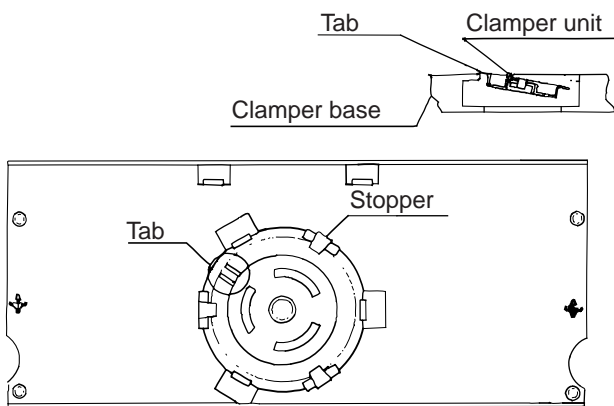


2. Release the 3 tabs on the clamper.



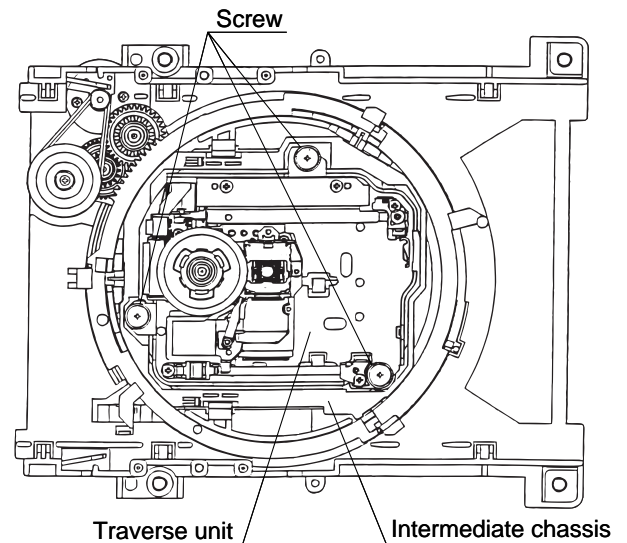
6. Disassembling the Clamper Weight, Clamper Yoke, Magnet and Clamper

1. Remove the tab, and pull out the clamper.



7. Disassembling the Traverse Unit

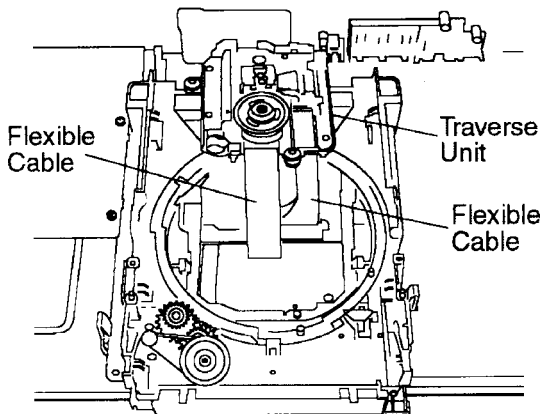
1. Remove the 3 screws.



Note

Be sure to take static electricity countermeasures before disconnecting the flexible cable. (Refer to page 2-8, Static Electricity Countermeasures.)

2. Disconnect the 2 flexible cables.

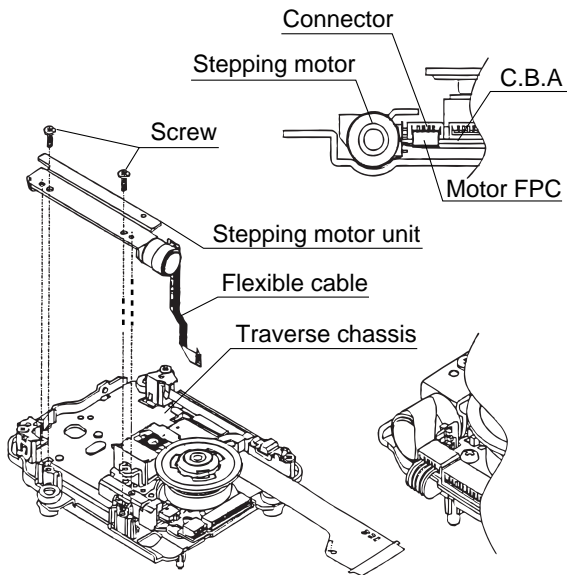


8. Disassembling the Stepping Motor Unit

1. Disconnect the flexible cable.
2. Remove the 2 screws.

Note

Take care when handling the flexible cable because it can be broken by excessive force.



9. Disassembling the Optical Pickup Unit

1. Remove the hook of the FPC holder, then remove the FPC holder itself.
2. Remove the screw.
3. Release the tab, then remove spring holder 1.

Note

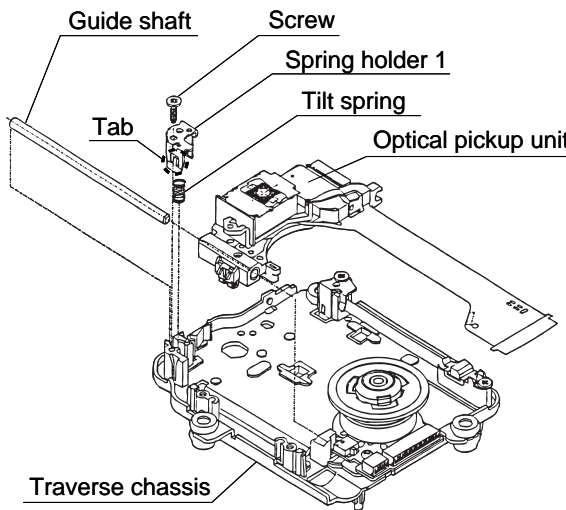
Be sure not to lose the spring.

4. Remove the guide shaft.

Note

Be sure to adjust the optical pickup tilt after replacing the optical pickup.

(Refer to page 2-13, Optical Pickup Tilt Adjustment.)

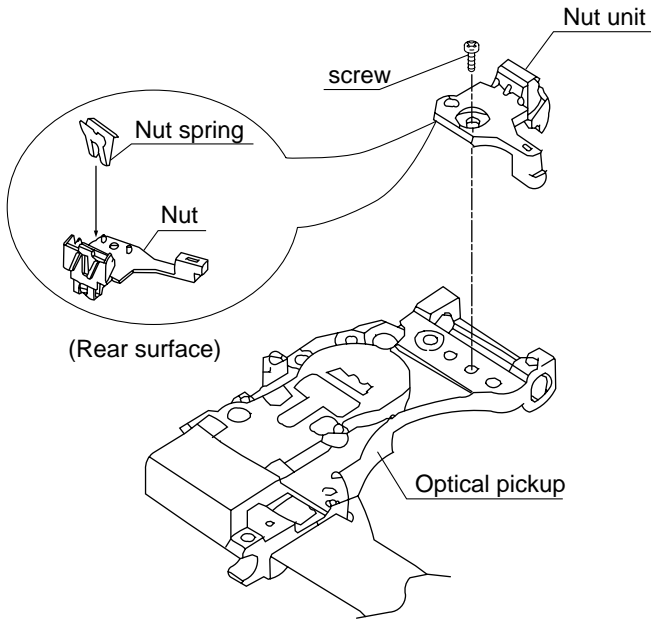


10. Disassembling the Nut Unit

1. Remove the screw.

Notes

- The nut unit is not part of the optical pickup.
- Before replacing the optical pickup, remove the nut unit for use with the new optical pickup.
- After installation, use screw lock to lock the screw in position.
- When reassembling, use screw lock to lock the screw in position after attaching it.

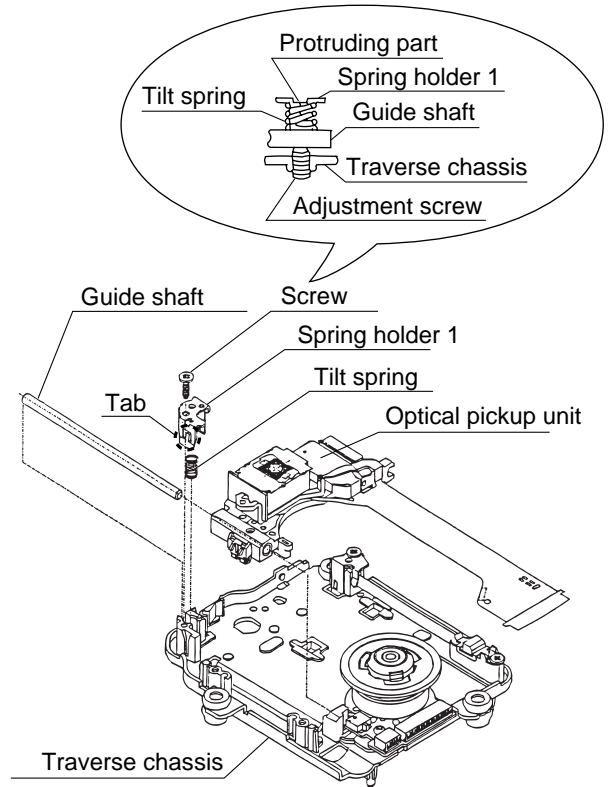


12. Assembling the Optical Pickup

1. Install the optical pickup.

Note

Take care not to attach the tilt spring and guide shaft in the wrong order.

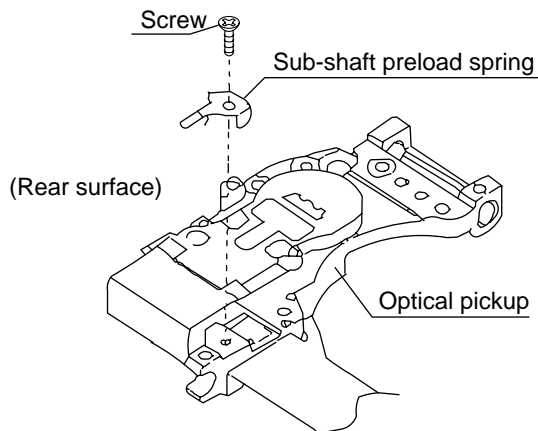


11. Disassembling the Sub-Shaft Preload Spring

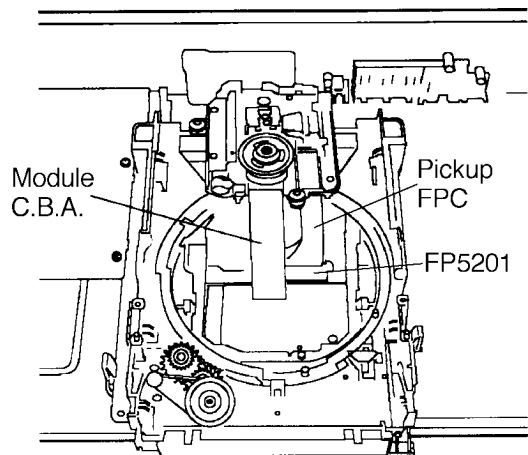
1. Remove the screw.

Notes

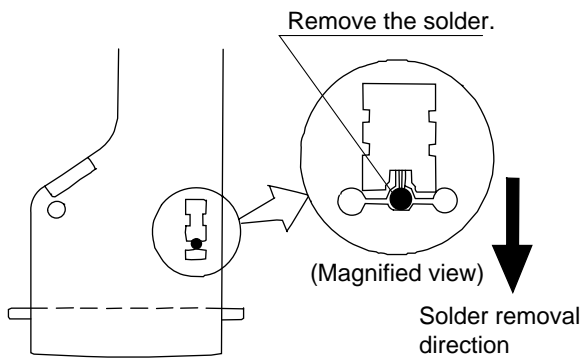
- Handle the sub-shaft preload spring carefully because the shape of the tip is easily deformed.
- The sub-shaft preload spring is not part of the optical pickup. Before replacing the optical pickup, remove the sub-shaft preload spring for use with the new optical pickup.
- After installation, use screw lock to lock the screw in position.



2. Insert the pickup FPC into connector FP5201 on the module C.B.A.



3. Remove the solder from the pickup FPC's soldered short-circuit



Open the circuit after short-circuiting it.

4. Adjust the optical pickup tilt after removing the solder.
(Refer to page 2-13, Optical Pickup Tilt Adjustment.)

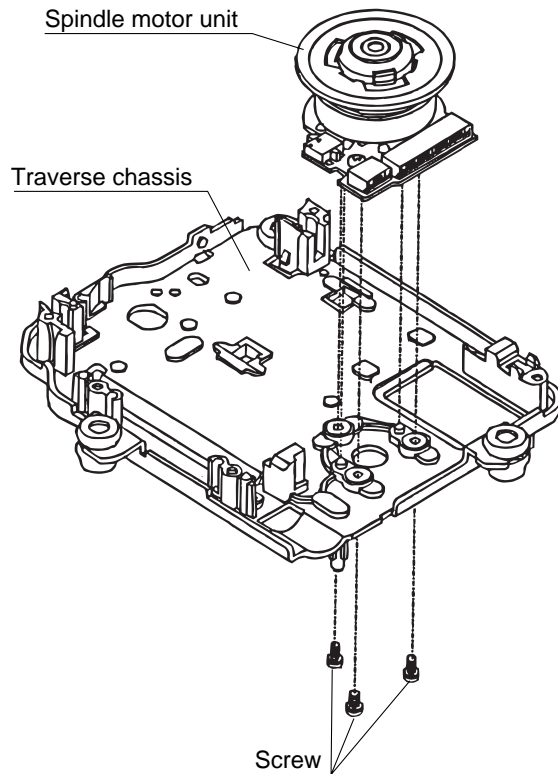
5. If installing a new pickup, write the new head current into memory as shown on page 1-6.
Do this first after turning on the unit with NO disc and while the unit is cold (within the first 3 minutes of power ON), or the jitter reading will not be accurate for the new pickup head.

13. Disassembling the Spring Motor Unit

1. Remove the three screws.

Note

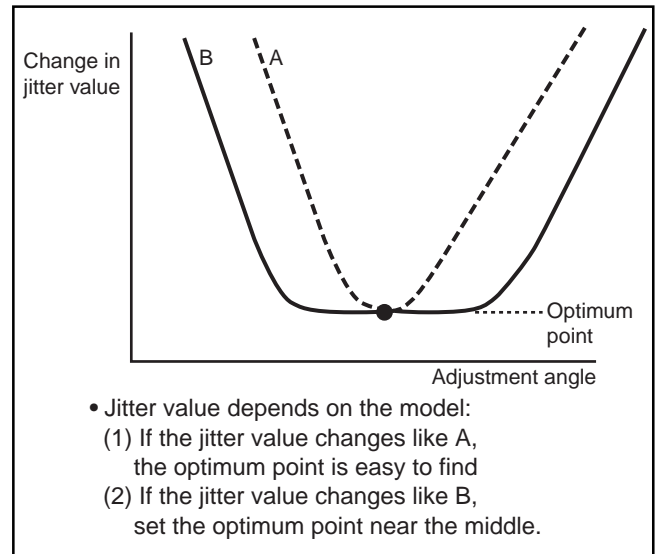
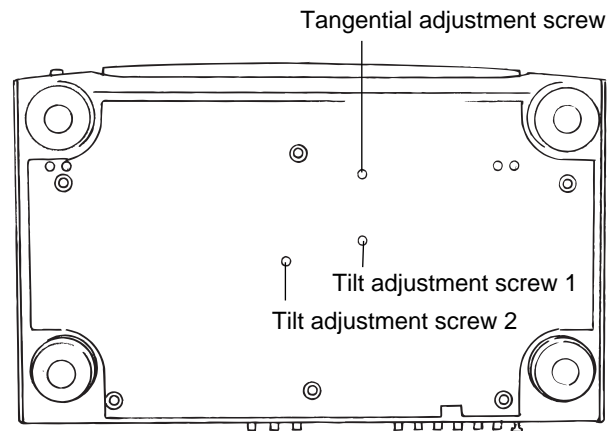
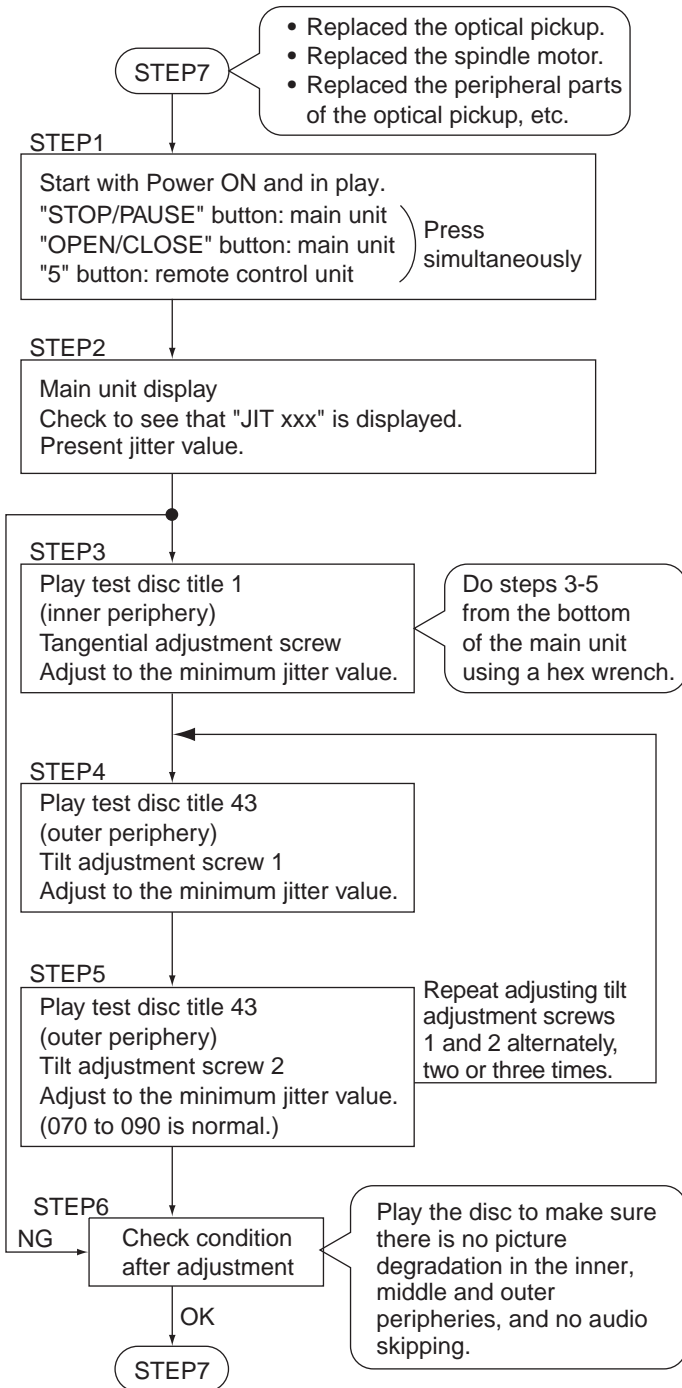
Be sure to adjust the optical pickup tilt after replacing the spindle motor unit.

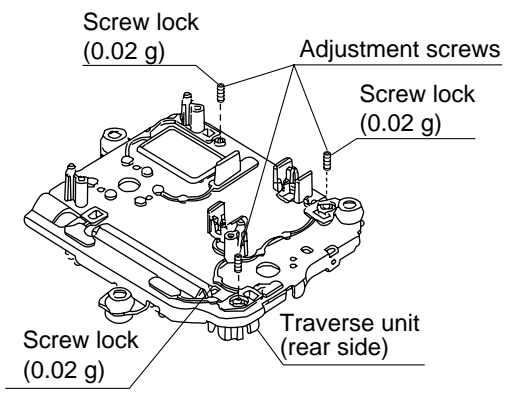
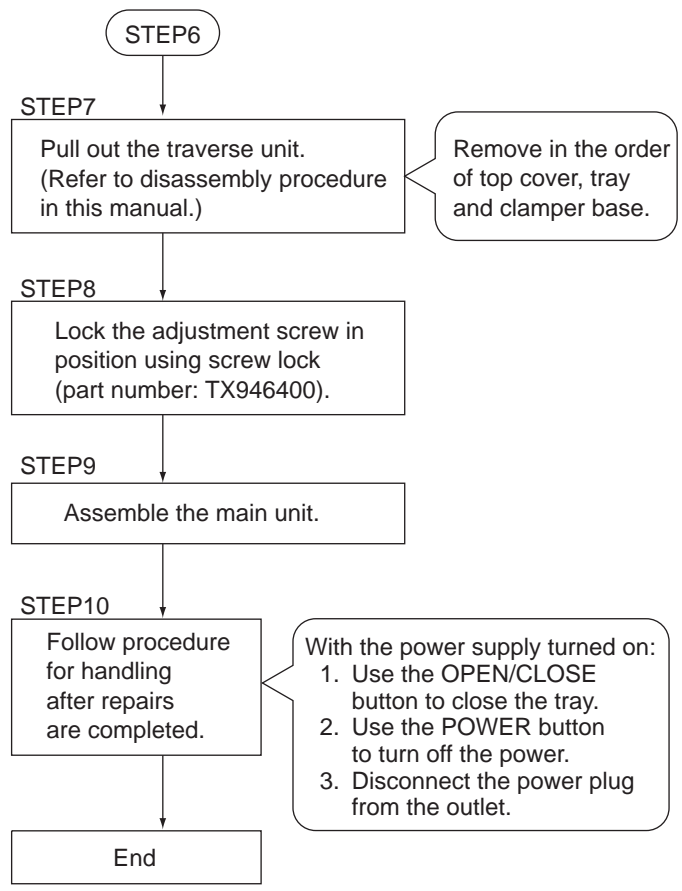


14. Optical Pickup Tilt Adjustment

Measurement point	Adjustment point	Mode	Disc
Main unit service display	Tangential adjustment screw Tilt adjustment screw	T1 (inner periphery) play T2 (outer periphery) play	DVDT-S15 (AAx07320) or DVDT-S01 (TX946080)
Measuring equipment, tools		Adjustment value (JIT 070 to 090 is normal.)	
Hex wrench (part number: TX946380), 1.2mm Screw lock (part number: TX946400)		Adjust to the minimum jitter value.	

(070 = 7% and 090 = 9% jitter.)



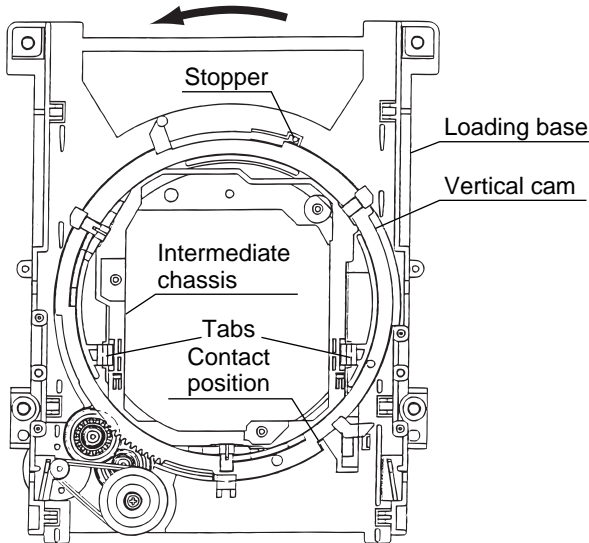


Notes

- Adjustment is generally unnecessary after replacing other parts of the traverse unit. However, adjust if there is a noticeable degradation in picture quality.
- Optical adjustments cannot be made inside the optical pickup.
- Adjustment is generally unnecessary after replacing the traverse unit.

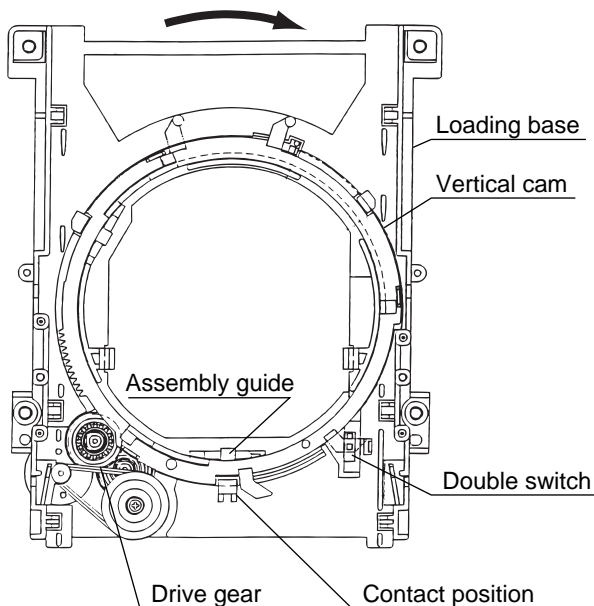
15. Disassembling the Intermediate Chassis

1. Push the stopper downward, then rotate it until it contacts the vertical cam.
2. Release the 2 tabs.



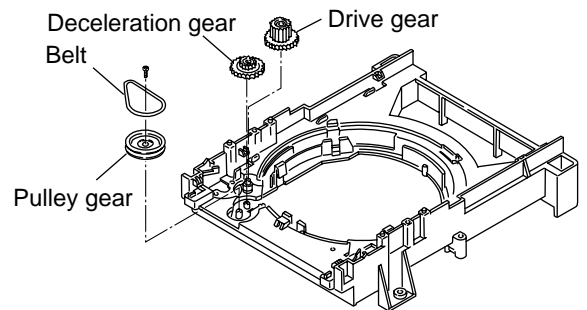
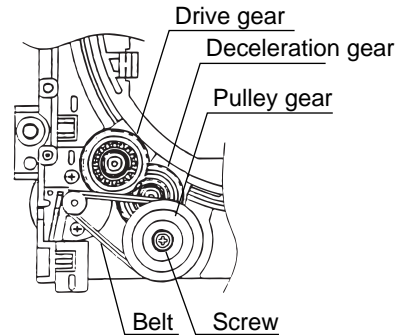
16. Disassembling the Vertical Cam and Drive Gear

1. Rotate the vertical cam until it reaches the contact position.
2. Lift the vertical cam straight upward to pull it out.
2. Remove the Drive gear.



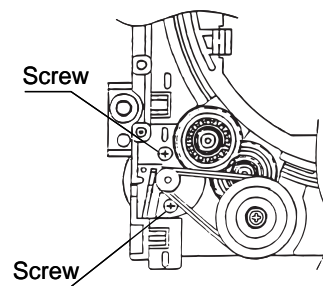
17. Disassembling the Pulley Gear and Deceleration Gear

1. Remove the screw.
2. Remove the pulley gear.
3. Remove the belt.
4. Remove the deceleration gear.

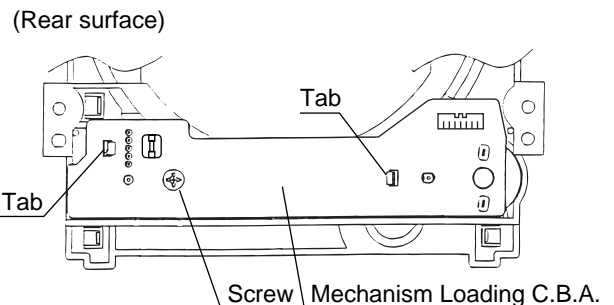


18. Disassembling the Mechanism Loading C.B.A.

1. Remove the 2 screws.

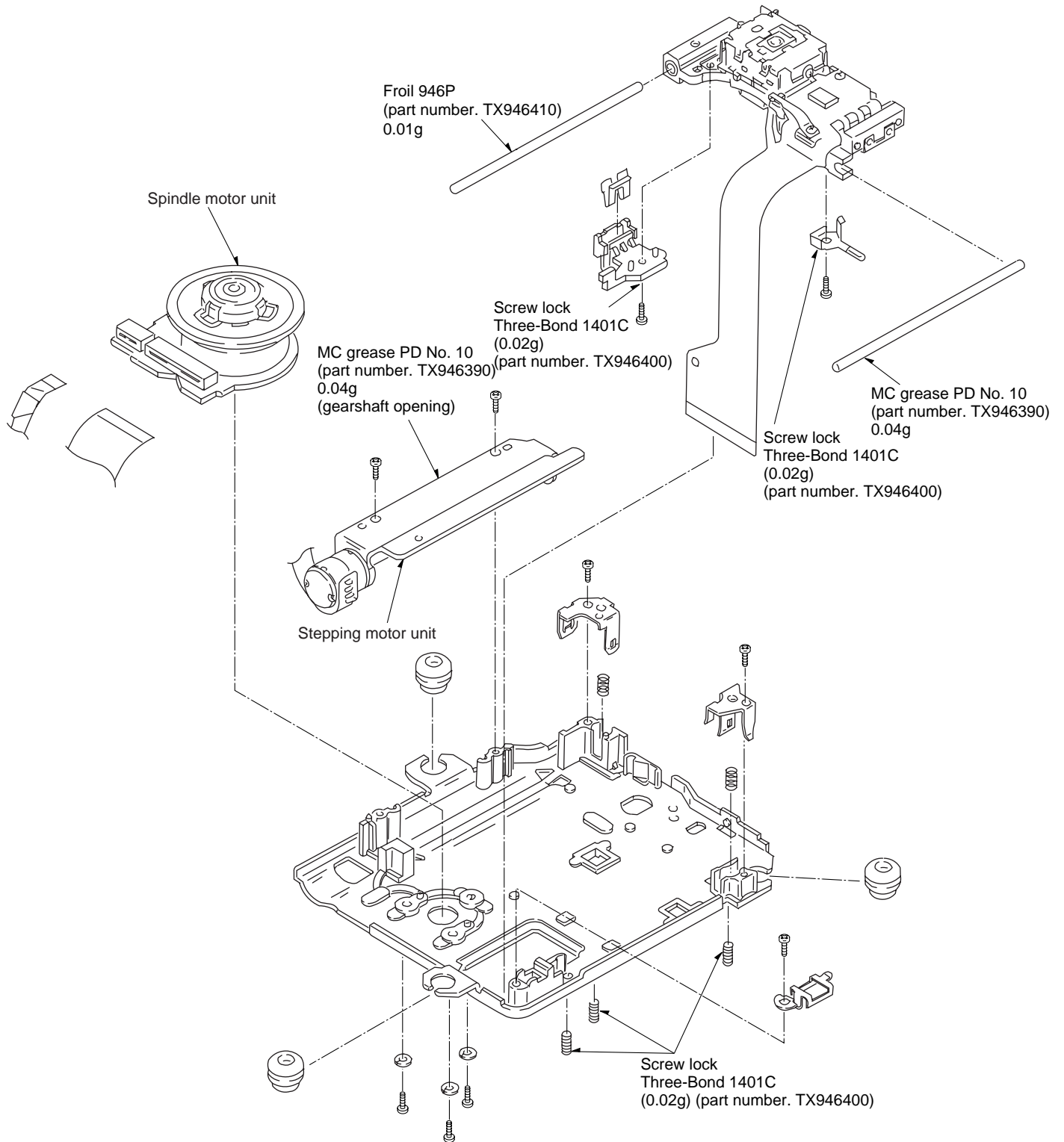


2. Remove the 2 screws.
3. Release the 2 tabs.



19. Lubricating the Optical Pickup and Peripheral Parts

When replacing parts, lubricate the parts marked "xxx" in the diagram.



ELECTRICAL CONFIRMATION

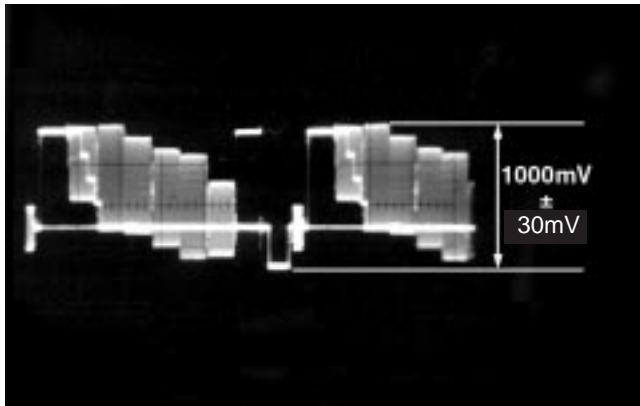
1. Video Output (Luminance Signal) Confirmation

Do this confirmation after replacing a C.B.A.

Measurement point	Mode	Disc
Video output terminal	Color bar 75% PLAY (Title 46): DVDT-S15 PLAY (Title 10): DVDT-S01	DVDT-S15 (AAX07320) or DVDT-S01 (TX946080)
Measuring equipment, tools	Confirmation value	
Screwdriver, Oscilloscope 200mV/div, 10 usec/div	1000mVp-p±30mV	

Purpose: To maintain video signal output compatibility.

1. Connect the oscilloscope to the video output terminal and terminate at 75 ohms.
2. Confirm that the luminance signal (Y+S) level is 1000 mVp-p ±30 mV.



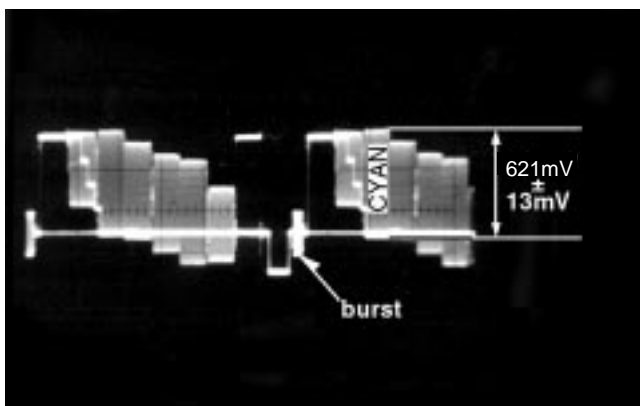
2. Video Output (Chrominance Signal) Confirmation

Do this confirmation after replacing a C.B.A.

Measurement point	Mode	Disc
Video output terminal	Color bar 75% PLAY (Title 46): DVDT-S15 PLAY (Title 10): DVDT-S01	DVDT-S15 (AAX07320) or DVDT-S01 (TX946080)
Measuring equipment, tools	Confirmation value	
Screwdriver, Oscilloscope 200mV/div, 10 usec/div	621mVp-p±13mV	

Purpose: To maintain video signal output compatibility.

1. Connect the oscilloscope to the video output terminal and terminate at 75 ohms.
2. Confirm that the chrominance signal (C) level is 621 mVp-p ±13 mV.



3. Video Component Signal (CB) Output Confirmation

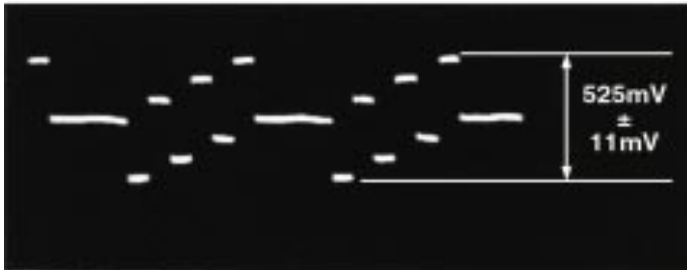
Do this confirmation after replacing a C.B.A.

Measurement point	Mode	Disc
Video output terminal (Y) (CB) Output terminal	Color bar 75% PLAY (Title 46): DVDT-S15 PLAY (Title 10): DVDT-S01	DVDT-S15 (AAX07320) or DVDT-S01 (TX946080)
Measuring equipment, tools	Confirmation value	
Screwdriver, Oscilloscope 100mV/div, 10 usec/div	525mVp-p±11mV (B, A, G Models) 486mVp-p±10mV (U Model)	

Purpose: To maintain video signal output compatibility.

1. Connect the oscilloscope to the video output terminal and terminate at 75 ohms.
2. Apply the trigger at the Y output terminal signal.
3. Confirm that the video component signal (CB) level is 525 mVp-p ±11 mV (B, A, G Models) /486mVp-p ± 10 mV(U Model).

For B, A, G Models



For U Model



SECTION 3 ABBREVIATIONS

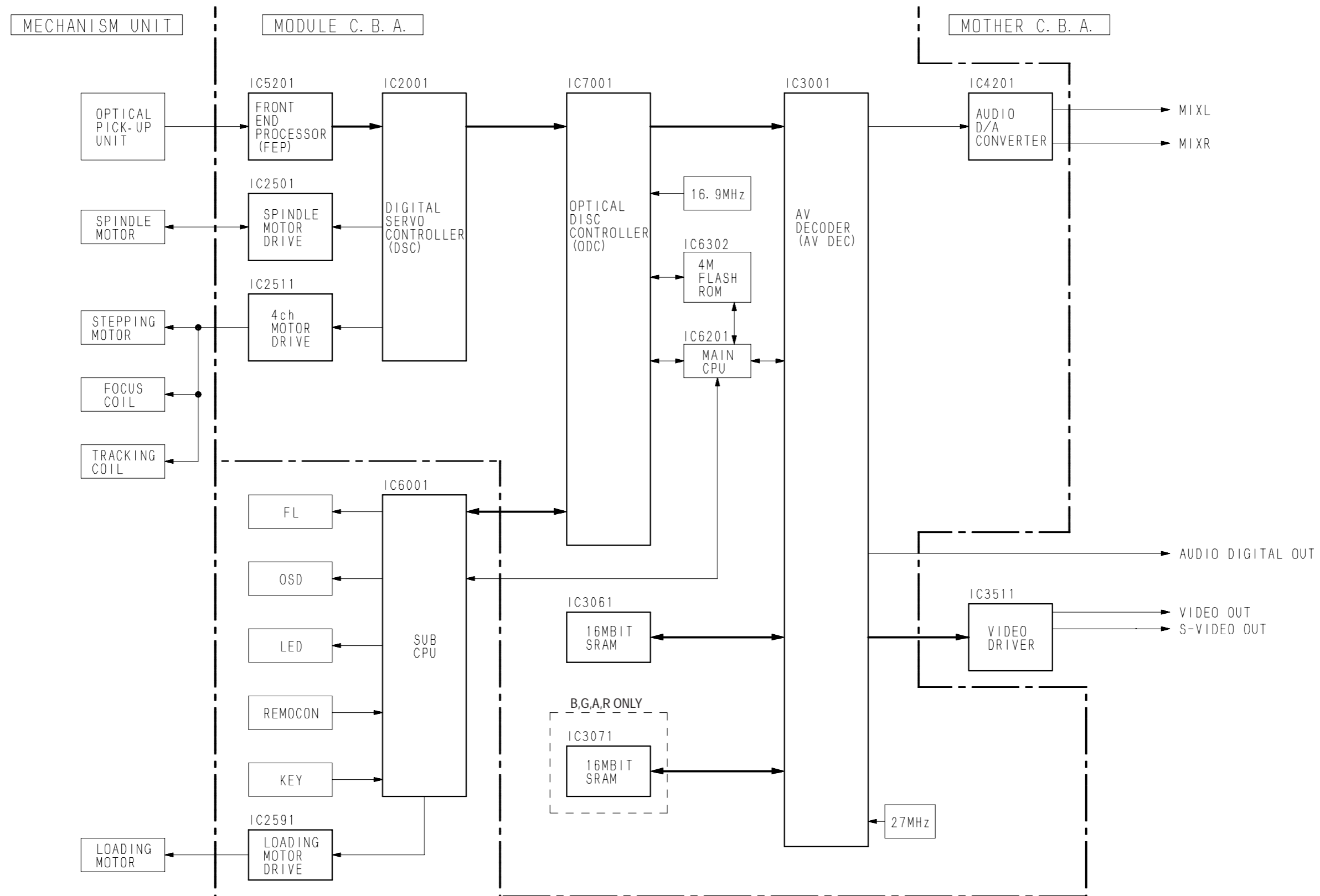
INITIAL/LOGO	ABBREVIATIONS
A	A0~UP ACLK AD0~UP ADATA ALE AMUTE AREQ ARE ASI ASO ASYN
B	BCK BCKIN BDO BLKCK BOTTOM BYP BYTCK
C	CAV CBDO CD CDSCK CDSRDATA CDRF CDV CHNDATA CKSL CLV COFTR CPA CPCS CPDT CPUADR CPUADT CPUIRQ CPRD CPWR CS CSYNIN CSYNOUT
D	DACCK DEEMP DEMPH DIG0~UP DIN DMSRCK DMUTE DO DOUT0~UP DRF DRPOUT DREQ DRESP DSC DSLIF DVD

INITIAL/LOGO	ABBREVIATIONS
E	EC ECR ENCSEL ETMCLK ETSCLK
F	FBALFCLK FE FFI FEO FG FSC FSCK
G	GND
H	HA0~UP HD0~UP HINT HRXW
I	IECOUT IPFRAG IREF ISEL
L	LDONL LPC LRCK
M	MA0~UP MCK MCKI MCLK MDQ0~UP MDQM MLD MPEG
O	ODC OFTR OSCI OSCO OSD
P	P1~UP PCD PCK PDVD PEAK PLLCLKPLLO K PWMCTL PWMDA PWMOA, B

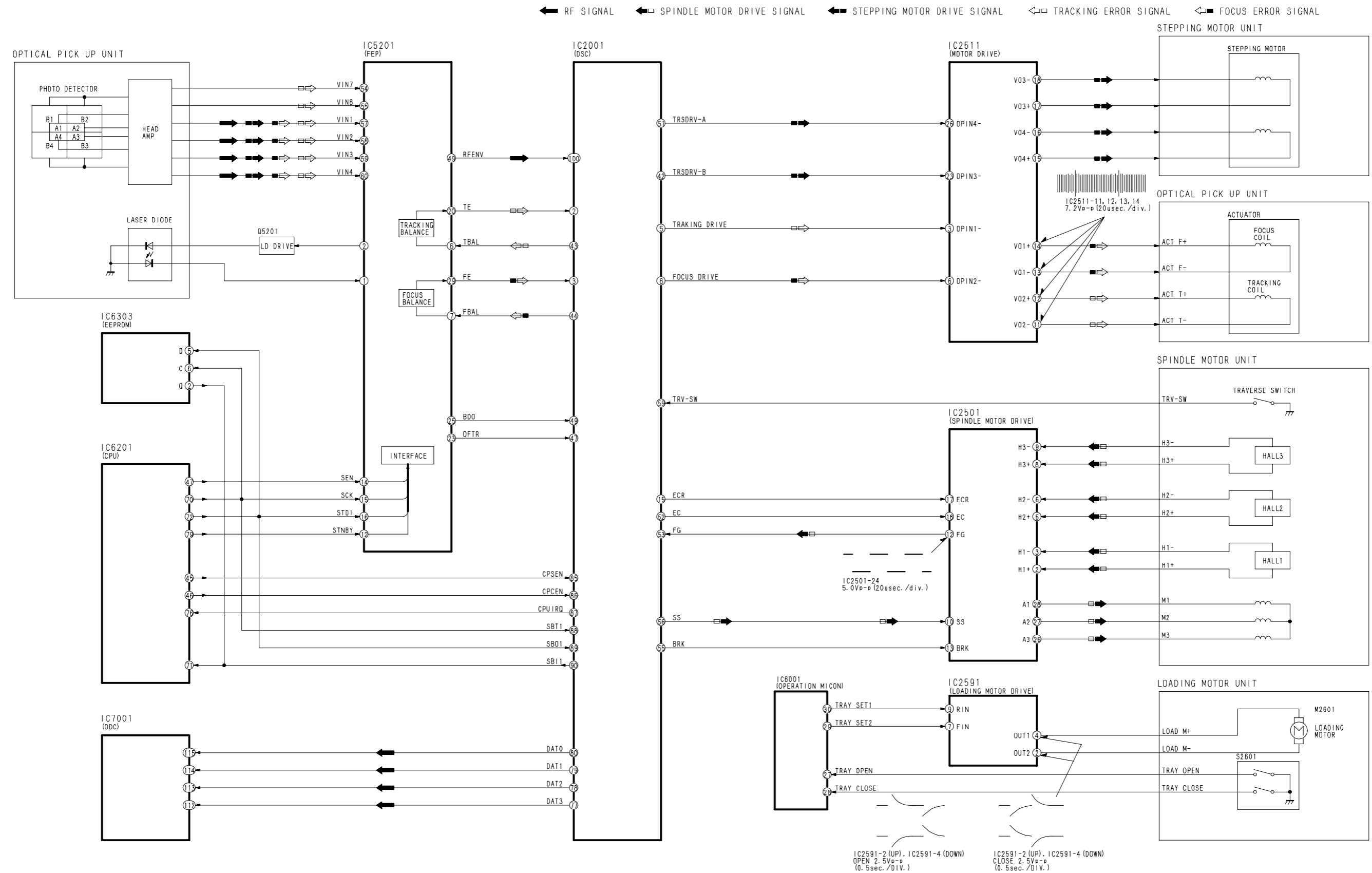
INITIAL/LOGO		ABBREVIATIONS
R	RE RFENV RFO RS RSEL RST RSV	READ ENABLE RF ENVELOPE RF PHASE DIFFERENCE OUTPUT (CD-ROM) REGISTER SELECT PF POLARITY SELECT RESET RESERVE
S	SBI0, 1 SBO0 SBT0, 1 SCK SCKR SCL SCLK SDA SEG0-UP SELCLK SEN SIN1, 2 SOUT1, 2 SPDI SPDO SPEN SPRCLK SPWCLK SQCK SQCX SRDATA SRMADR SRMDT0-7 SS STAT STCLK STD0-UP STENABLE STSEL STVALID SUBC SBCK SUBQ SYSCLK	SERIAL DATA INPUT SERIAL DATA OUTPUT SERIAL CLOCK SERIAL DATA CLOCK AUDIO SERIAL CLOCK RECEIVER SERIAL CLOCK SERIAL CLOCK SERIAL DATA FL SEGMENT OUTPUT SELECT CLOCK SERIAL PORT ENABLE SERIAL DATA IN SERIAL DATA OUT SERIAL PORT DATA INPUT SERIAL PORT DATA OUTPUT SERIAL PORT R/W ENABLE SERIAL PORT READ CLOCK SERIAL PORT WRITE CLOCK SUB CODE Q CLOCK SUB CODE Q DATA READ CLOCK SERIAL DATA SRAM ADDRESS BUS SRAM DATA BUS 0-7 START/STOP STATUS STREAM DATA CLOCK STREAM DATA STREAM DATA INPUT ENABLE STREAM DATA POLARITY SELECT STREAM DATA VALIDITY SUB CODE SERIAL SUB CODE CLOCK SUB CODE Q DATA SYSTEM CLOCK
T	TE TIBAL TID TIN TIP TIS TPSN TPSO TPSP TRCRS TRON TRSON	TRACKING ERROR BALANCE CONTROL BALANCE OUTPUT 1 BALANCE INPUT BALANCE INPUT BALANCE OUTPUT 2 OP AMP INPUT OP AMP OUTPUT OP AMP INVERTED INPUT TRACK CROSS SIGNAL TRACKING ON TRAVERSE SERVO ON

INITIAL/LOGO		ABBREVIATIONS
V	VBLANK VCC VDCONT VDD VFB VREF VSS	V BLANKING COLLECTOR POWER SUPPLY VOLTAGE VIDEO CD CONTROL (TRACKING BALANCE) DRAIN POWER SUPPLY VOLTAGE VIDEO FEED BACK VOLTAGE REFERENCE SOURCE POWER SUPPLY VOLTAGE
W	WAIT WDCK WEH WSR	BUS CYCLE WAIT WORD CLOCK WRITE ENABLE HIGH WORD SELECT RECEIVER
X	X XALE XAREQ XCROM XCS XCSYNC XDS XHSYNCO XHINT XI XINT XMW XO XRE XSRMCE XSRMOE XSRMWE XVCS XVDS XVSYNCO	X' TAL X ADDRESS LATCH ENABLE X AUDIO DATA REQUEST X CD ROM CHIP SELECT X CHIP SELECT X COMPOSITE SYNC X DATA STROBE X HORIZONTAL SYNC OUTPUT XH INTERRUPT REQUEST X' TAL OSCILLATOR INPUT X INTERRUPT X MEMORY WRITE ENABLE X' TAL OSCILLATOR OUTPUT X READ ENABLE X SRAM CHIP ENABLE X SRAM OUTPUT ENABLE X SRAM WRITE ENABLE X V-DEC CHIP SELECT X V-DEC CONTROL BUS STROBE X VERTICAL SYNC OUTPUT

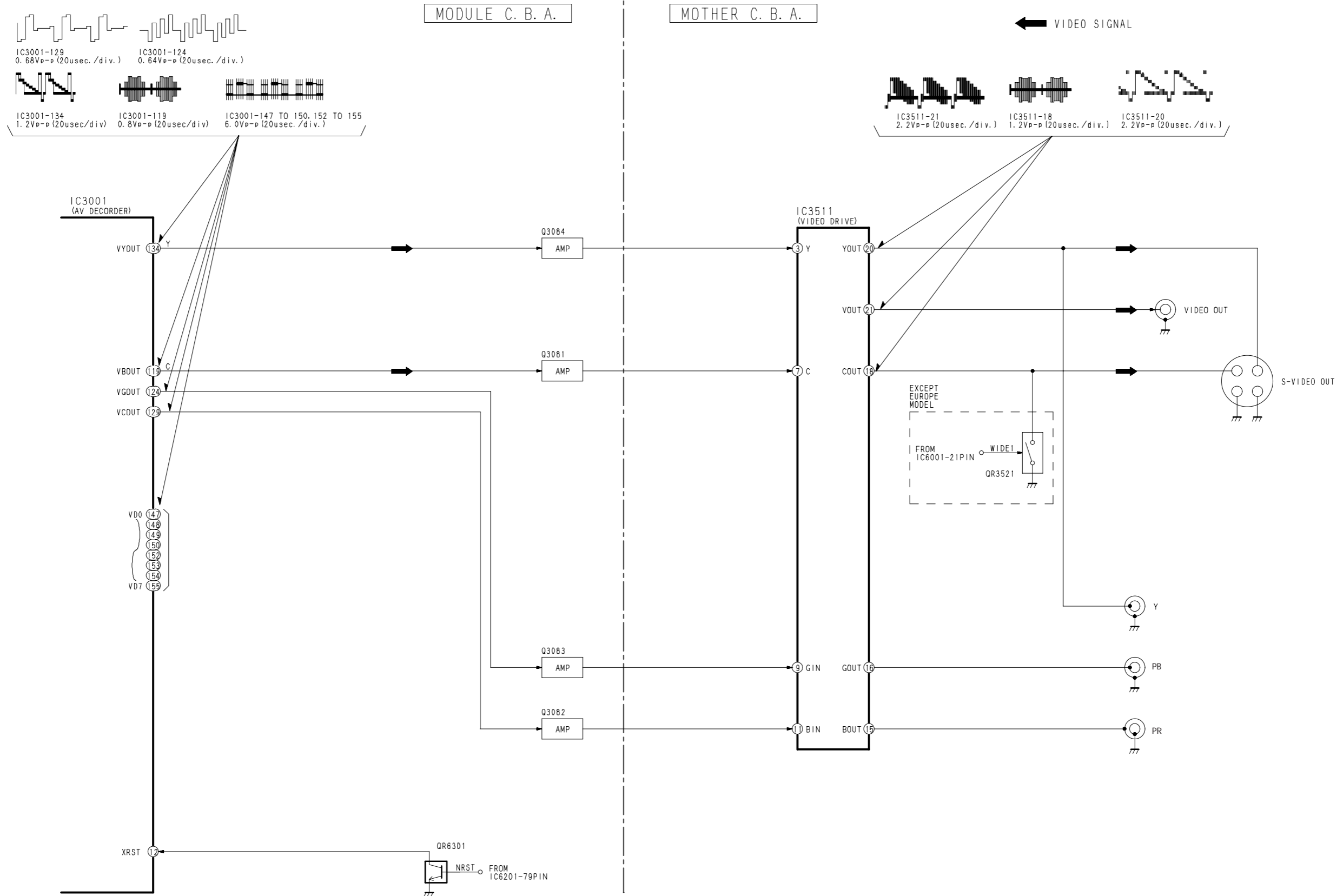
BLOCK DIAGRAM
1. OVERALL BLOCK DIAGRAM



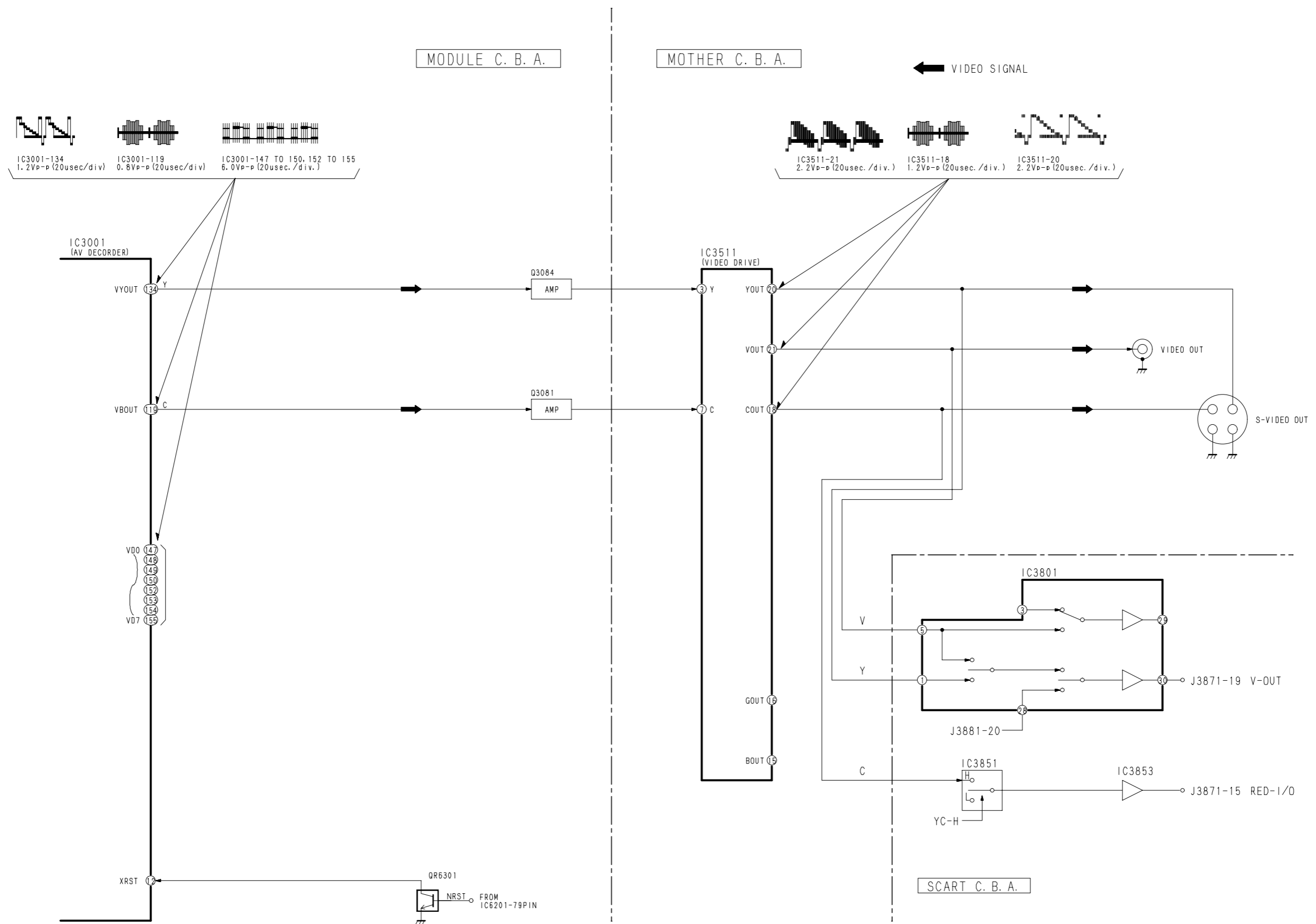
2. SERVO BLOCK DIAGRAM



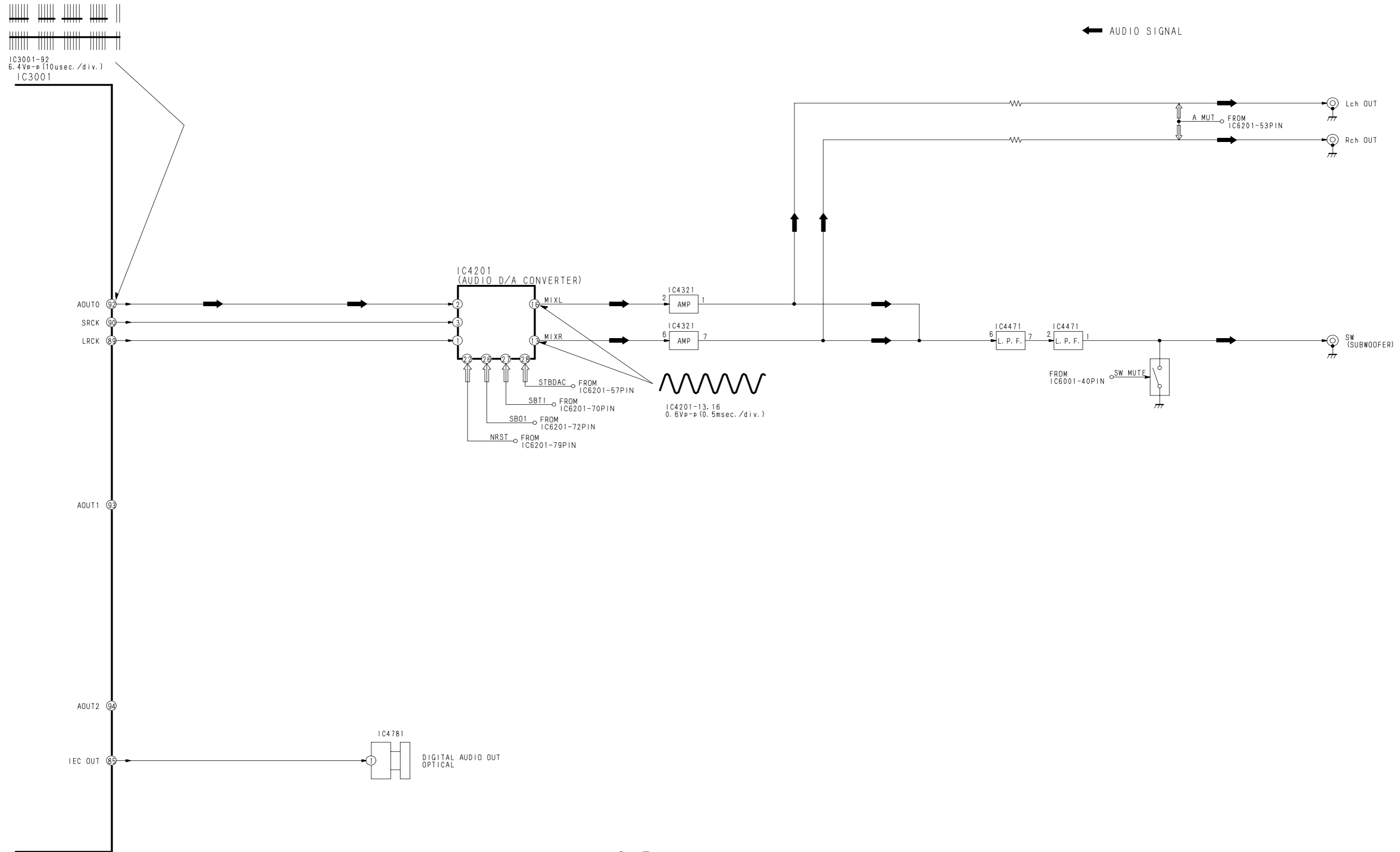
3. VIDEO BLOCK DIAGRAM (FOR U, A, R MODELS)



4. VIDEO BLOCK DIAGRAM (FOR G, B MODELS)

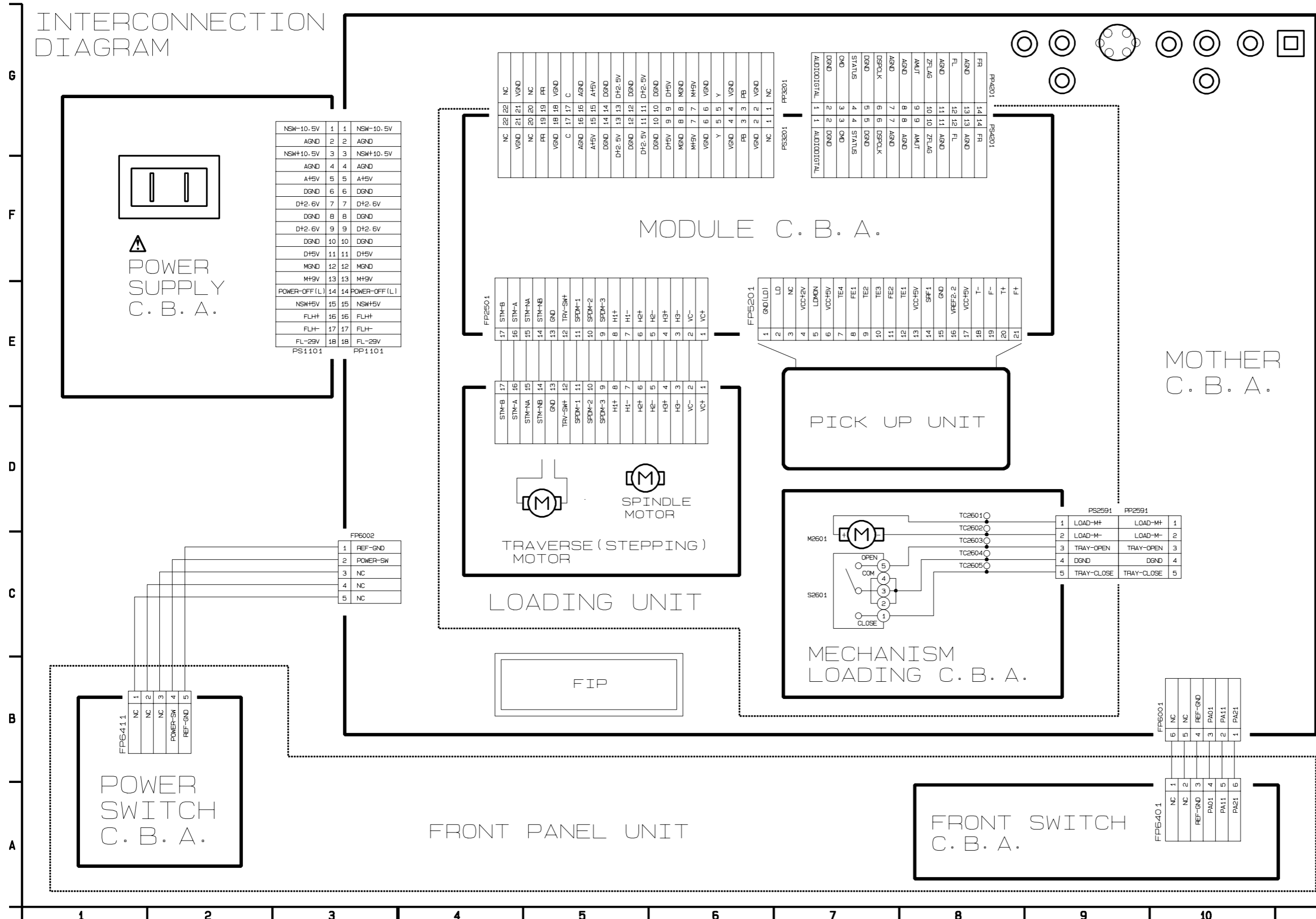


5. AUDIO BLOCK DIAGRAM



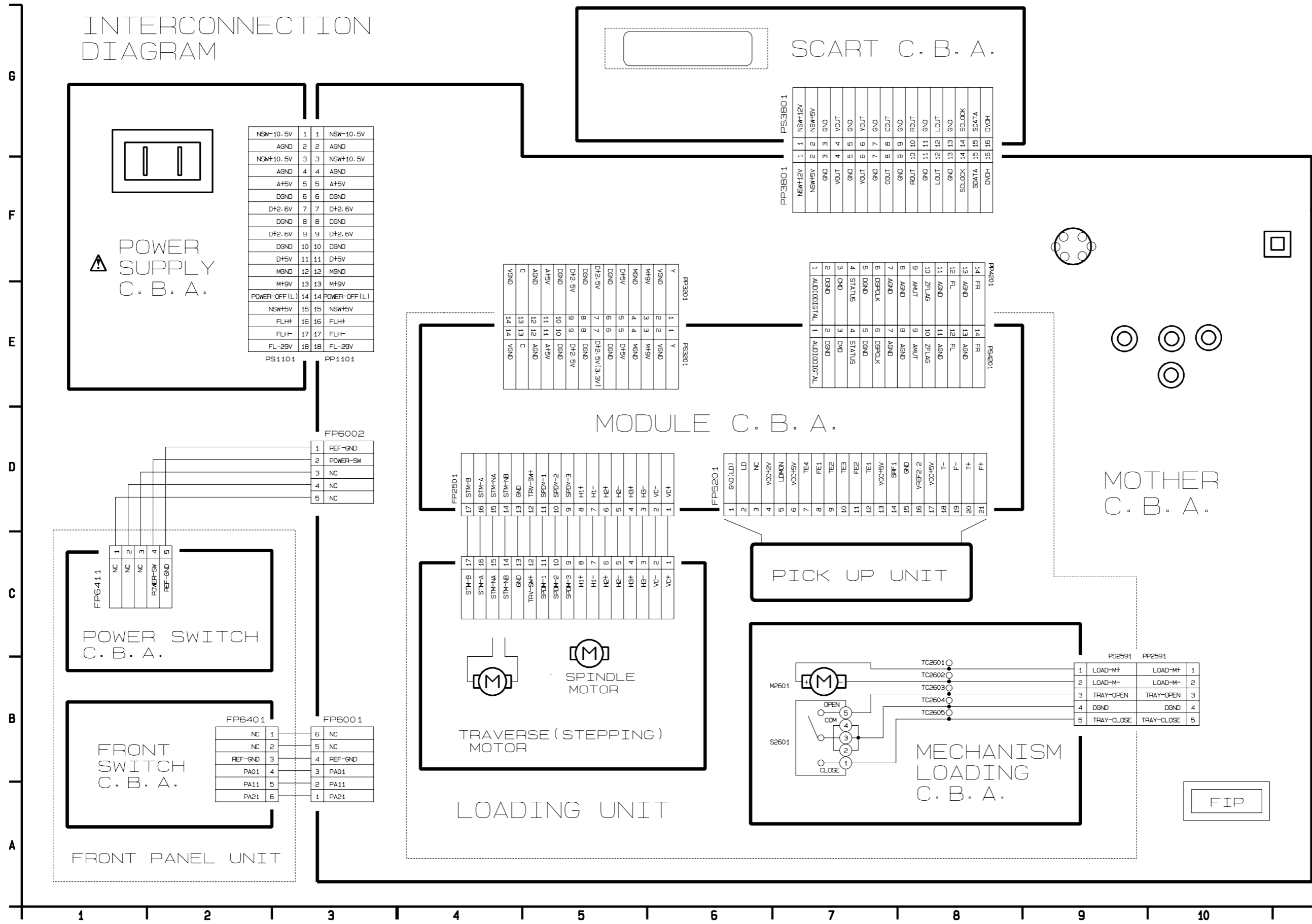
INTER CONNECTION DIAGRAM

1. U, A, R MODELS



2. G, B MODELS

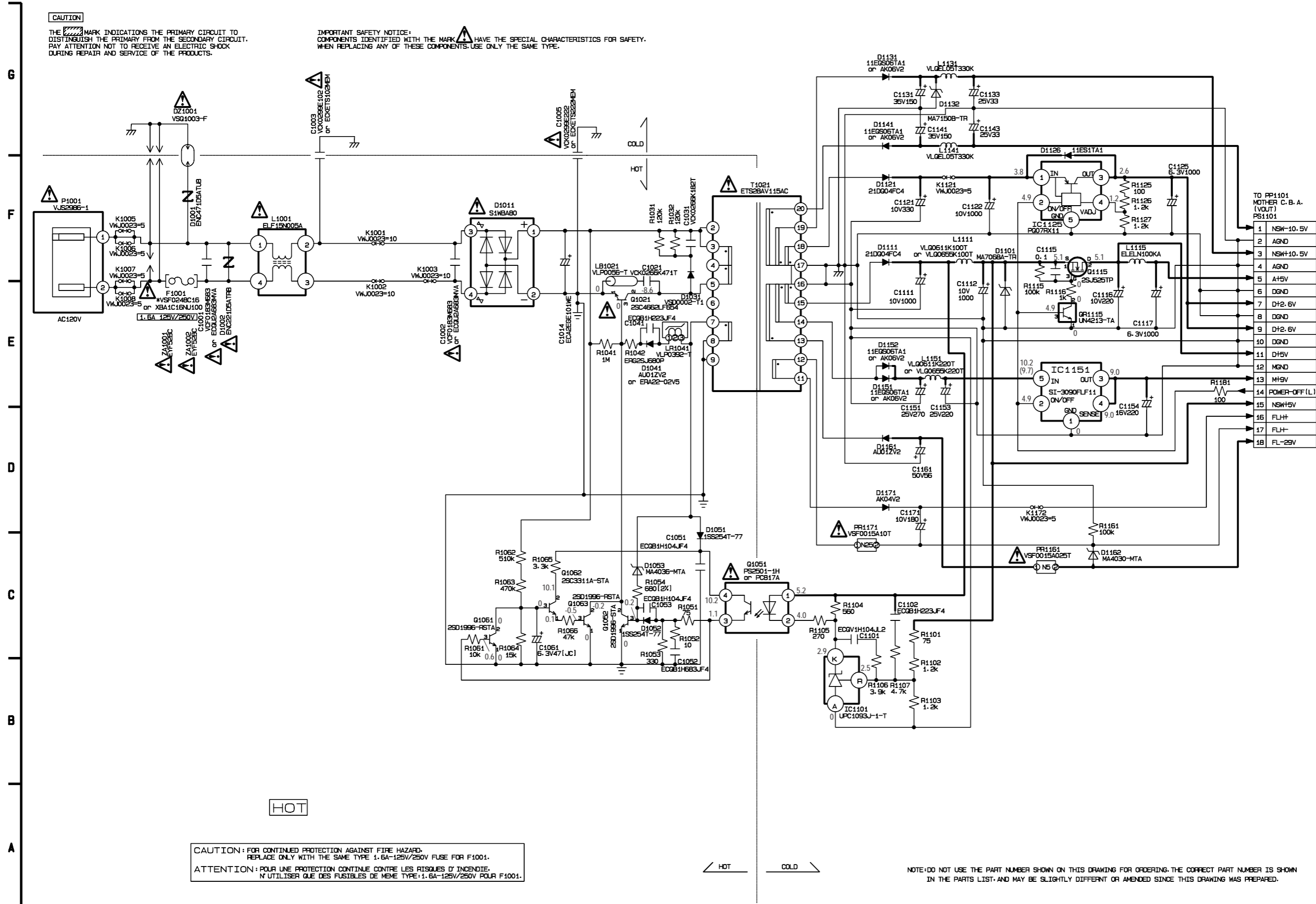
INTERCONNECTION
DIAGRAM



SCHEMATIC DIAGRAM

U MODEL

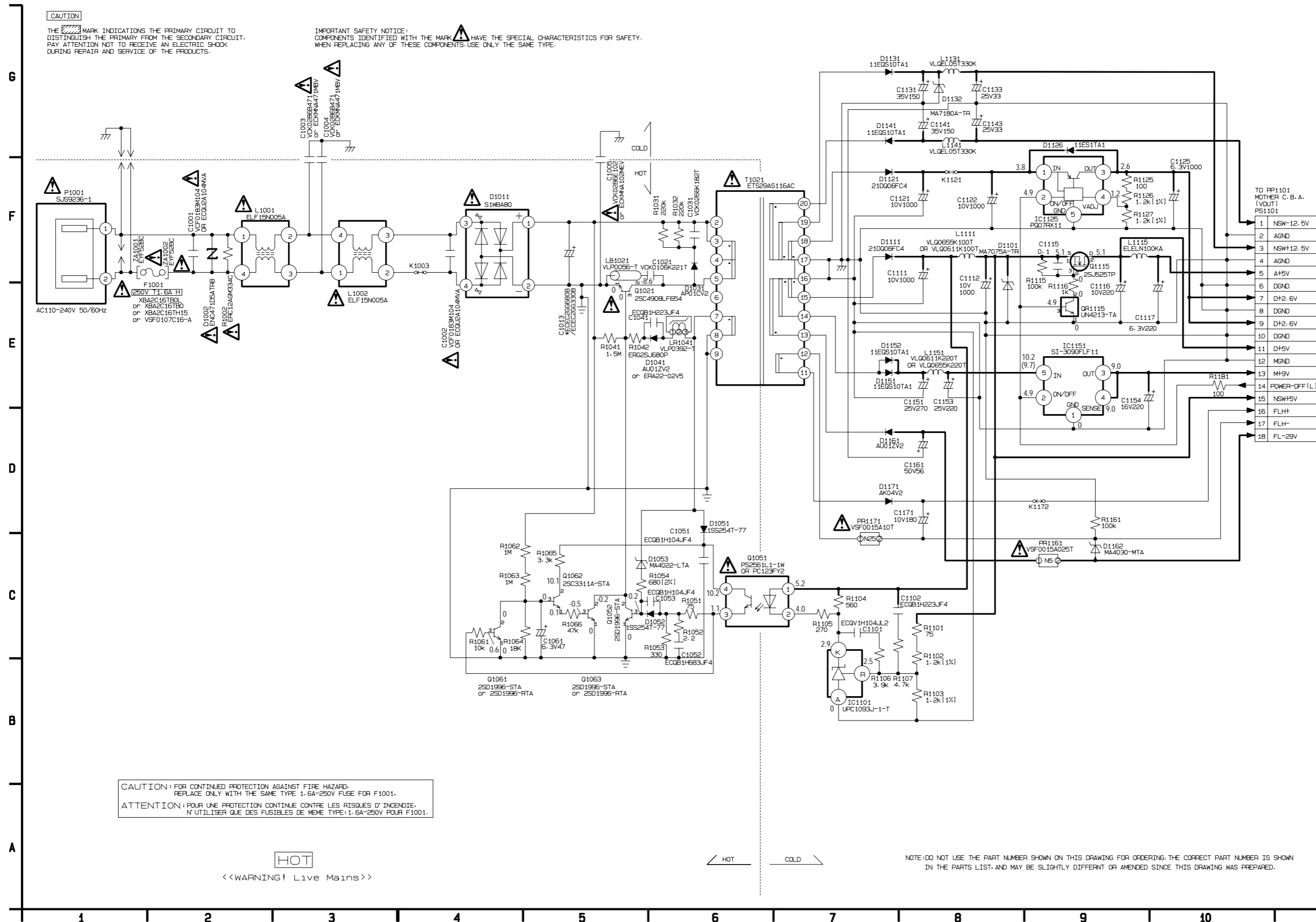
1. POWER SUPPLY SCHEMATIC DIAGRAM (FOR U MODEL)



TO PP1101 MOTHER C. B. A. (VOUT) PS1101

1	NSW-10.5V
2	AGND
3	NSW+10.5V
4	AGND
5	A+5V
6	DGND
7	D+2.6V
8	DGND
9	D+2.6V
10	DGND
11	D+5V
12	MGND
13	M+5V
14	POWER-OFF (L)
15	NSW+5V
16	FLH+
17	FLH-
18	FL-29V

2. POWER SUPPLY SCHEMATIC DIAGRAM (FOR G, B, A MODELS)




TO PP1101 MOTHER C. B. A. (VOUT) PS1101

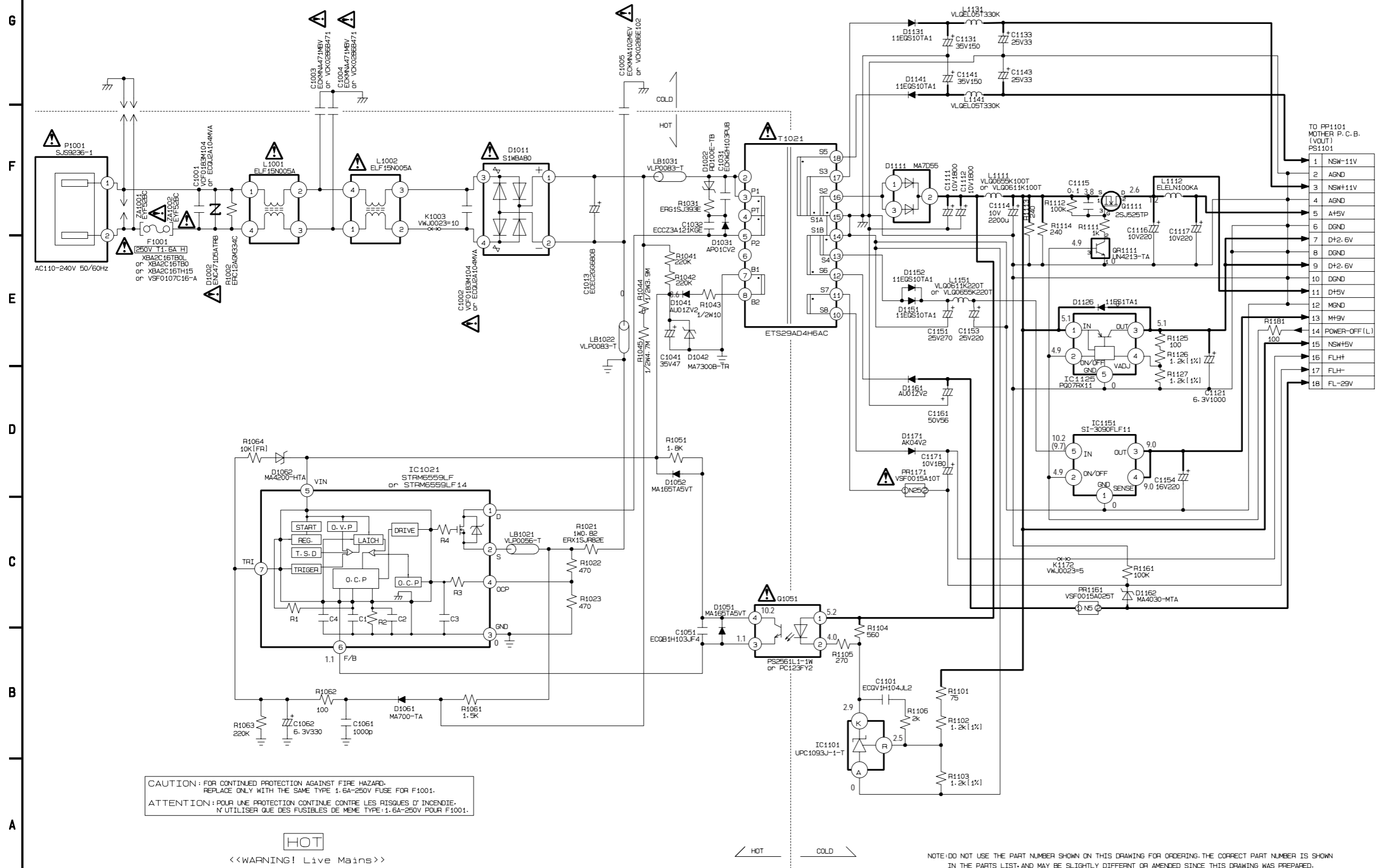
1	NSW-12.5V
2	AGND
3	NSW+12.5V
4	AGND
5	A+5V
6	DGND
7	D+2.6V
8	DGND
9	D+2.6V
10	DGND
11	D+5V
12	DGND
13	M+5V
14	POWER-OFF (L)
15	NSW+5V
16	FLH+
17	FLH-
18	FL-29V

3. POWER SUPPLY SCHEMATIC DIAGRAM (FOR R MODEL)

CAUTION

THE  MARK INDICATES THE PRIMARY CIRCUIT TO DISTINGUISH THE PRIMARY FROM THE SECONDARY CIRCUIT. PAY ATTENTION NOT TO RECEIVE AN ELECTRIC SHOCK DURING REPAIR AND SERVICE OF THE PRODUCTS.

IMPORTANT SAFETY NOTICE: COMPONENTS IDENTIFIED WITH THE  HAVE THE SPECIAL CHARACTERISTICS FOR SAFETY. WHEN REPLACING ANY OF THESE COMPONENTS, USE ONLY THE SAME TYPE.



TO PP1101 MOTHER P. C. B. (VOLT) PS1101

1	NSW-11V
2	AGND
3	NSW+11V
4	AGND
5	A+5V
6	DGND
7	D+2.6V
8	DGND
9	D+2.6V
10	DGND
11	D+5V
12	MGND
13	M+5V
14	POWER-OFF (L)
15	NSW+5V
16	FLH+
17	FLH-
18	FL-29V

CAUTION: FOR CONTINUED PROTECTION AGAINST FIRE HAZARD, REPLACE ONLY WITH THE SAME TYPE 1.6A-250V FUSE FOR F1001.
ATTENTION: POUR UNE PROTECTION CONTINUE CONTRE LES RISQUES D'INCENDIE, N'UTILISER QUE DES FUSIBLES DE MEME TYPE: 1.6A-250V POUR F1001.

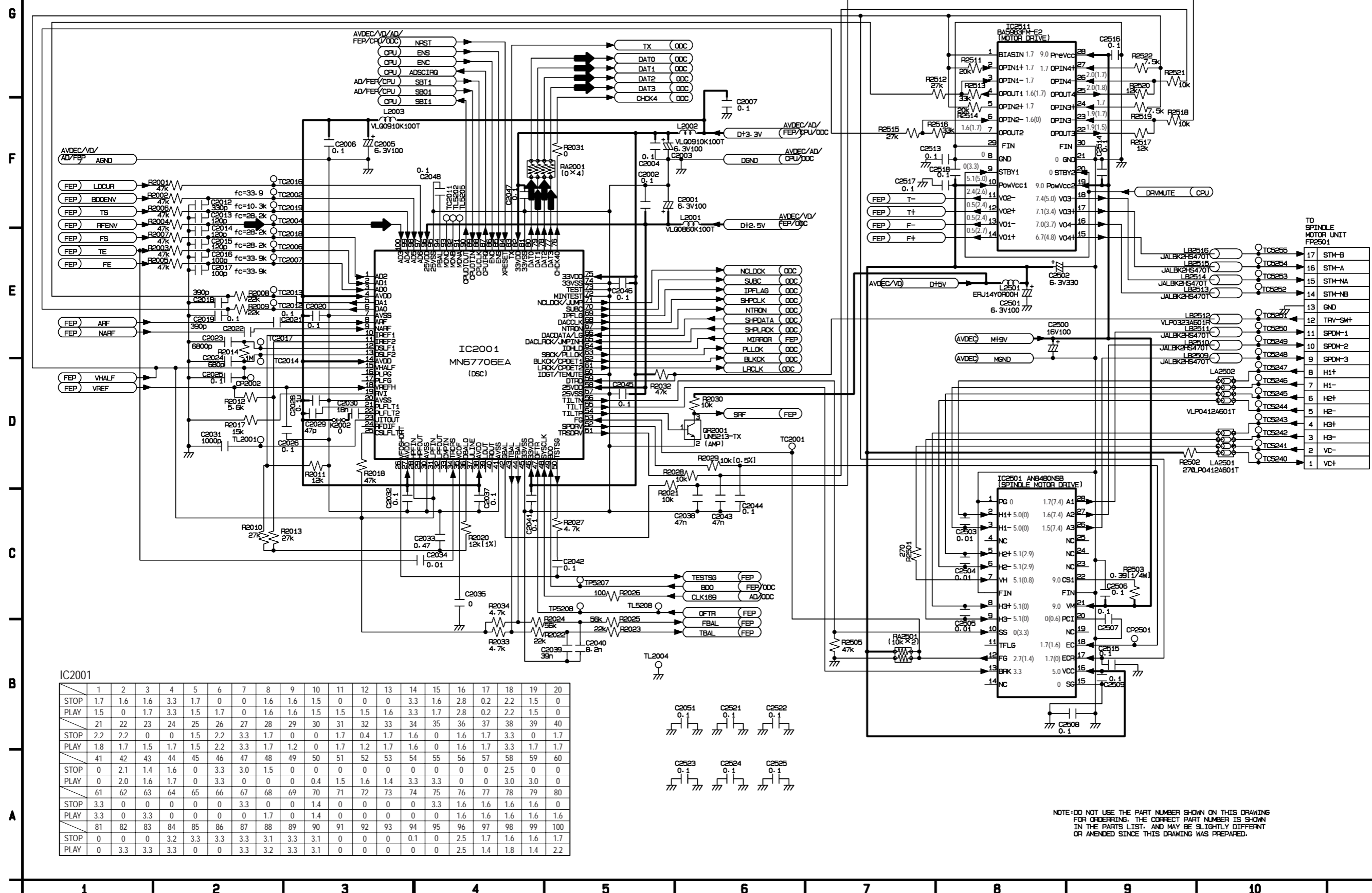
HOT

<<WARNING! Live Mains>>

△ HOT △ COLD

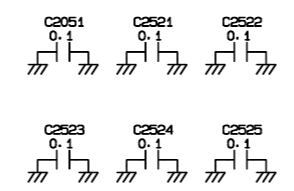
NOTE: DO NOT USE THE PART NUMBER SHOWN ON THIS DRAWING FOR ORDERING. THE CORRECT PART NUMBER IS SHOWN IN THE PARTS LIST AND MAY BE SLIGHTLY DIFFERENT OR AMENDED SINCE THIS DRAWING WAS PREPARED.

4. ADSC SECTION (MODULE C.B.A. (1/6)) SCHEMATIC DIAGRAM



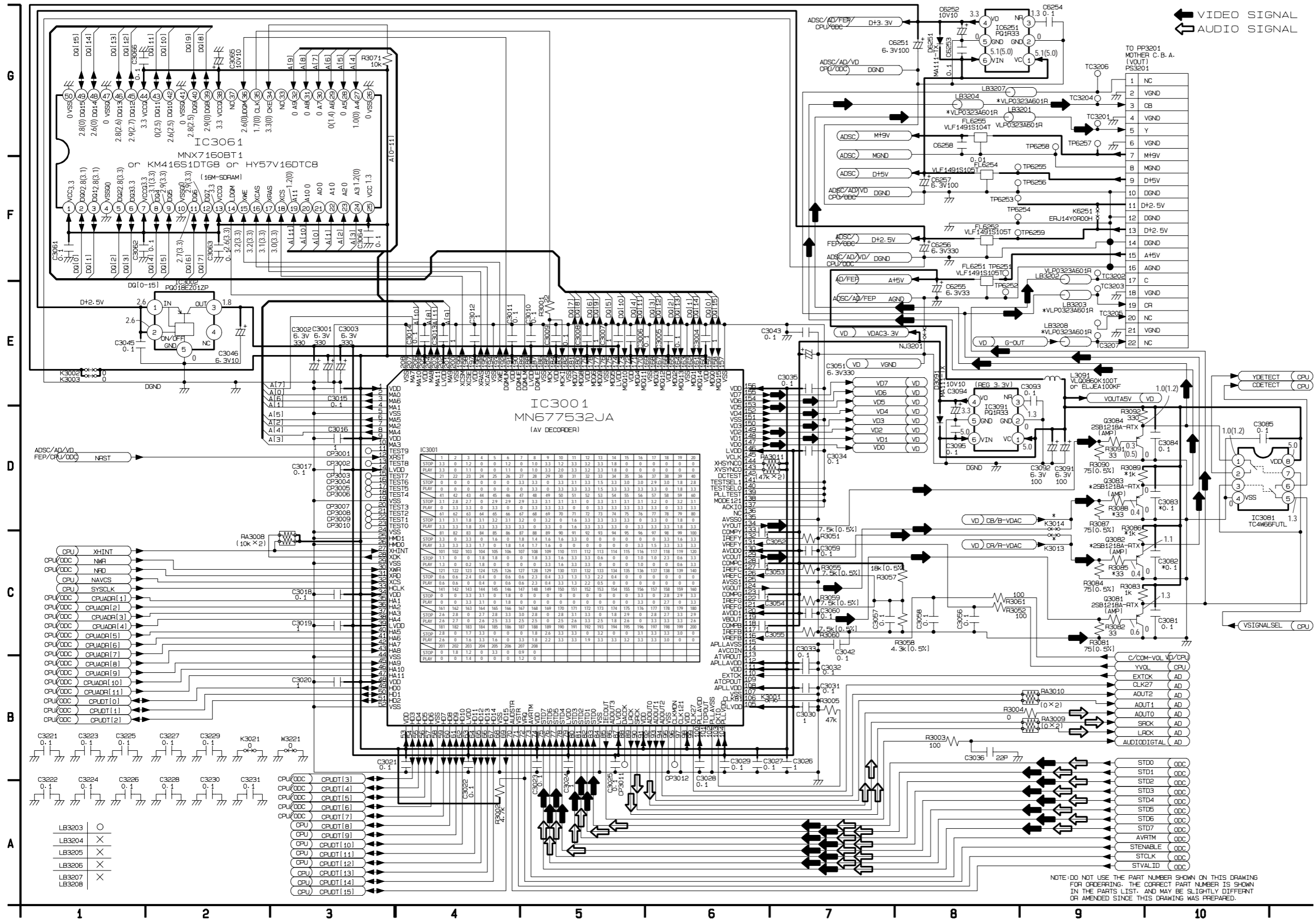
IC2001

	1	2	3	4	5	6	7	8	9	10	11	12	13	14	15	16	17	18	19	20
STOP	1.7	1.6	1.6	3.3	1.7	0	0	1.6	1.6	1.5	0	0	0	3.3	1.6	2.8	0.2	2.2	1.5	0
PLAY	1.5	0	1.7	3.3	1.5	1.7	0	1.6	1.6	1.5	1.5	1.5	1.6	3.3	1.7	2.8	0.2	2.2	1.5	0
STOP	2.2	2.2	0	0	1.5	2.2	3.3	1.7	0	0	1.7	0.4	1.7	1.6	0	1.6	1.7	3.3	0	1.7
PLAY	1.8	1.7	1.5	1.7	1.5	2.2	3.3	1.7	1.2	0	1.7	1.2	1.7	1.6	0	1.6	1.7	3.3	1.7	1.7
STOP	41	42	43	44	45	46	47	48	49	50	51	52	53	54	55	56	57	58	59	60
STOP	0	2.1	1.4	1.6	0	3.3	3.0	1.5	0	0	0	0	0	0	0	0	0	2.5	0	0
PLAY	0	2.0	1.6	1.7	0	3.3	0	0	0	0.4	1.5	1.6	1.4	3.3	3.3	0	0	3.0	3.0	0
STOP	3.3	0	0	0	0	0	3.3	0	0	1.4	0	0	0	0	0	3.3	1.6	1.6	1.6	1.6
PLAY	0	0	3.3	0	0	0	0	0	1.7	0	0	0	0	0	0	0	1.6	1.6	1.6	1.6
STOP	81	82	83	84	85	86	87	88	89	90	91	92	93	94	95	96	97	98	99	100
STOP	0	0	0	3.2	3.3	3.3	3.1	3.3	3.1	0	0	0	0	0.1	0	2.5	1.7	1.6	1.6	1.7
PLAY	0	3.3	3.3	3.3	0	0	3.3	3.2	3.3	3.1	0	0	0	0	0	2.5	1.4	1.8	1.4	2.2



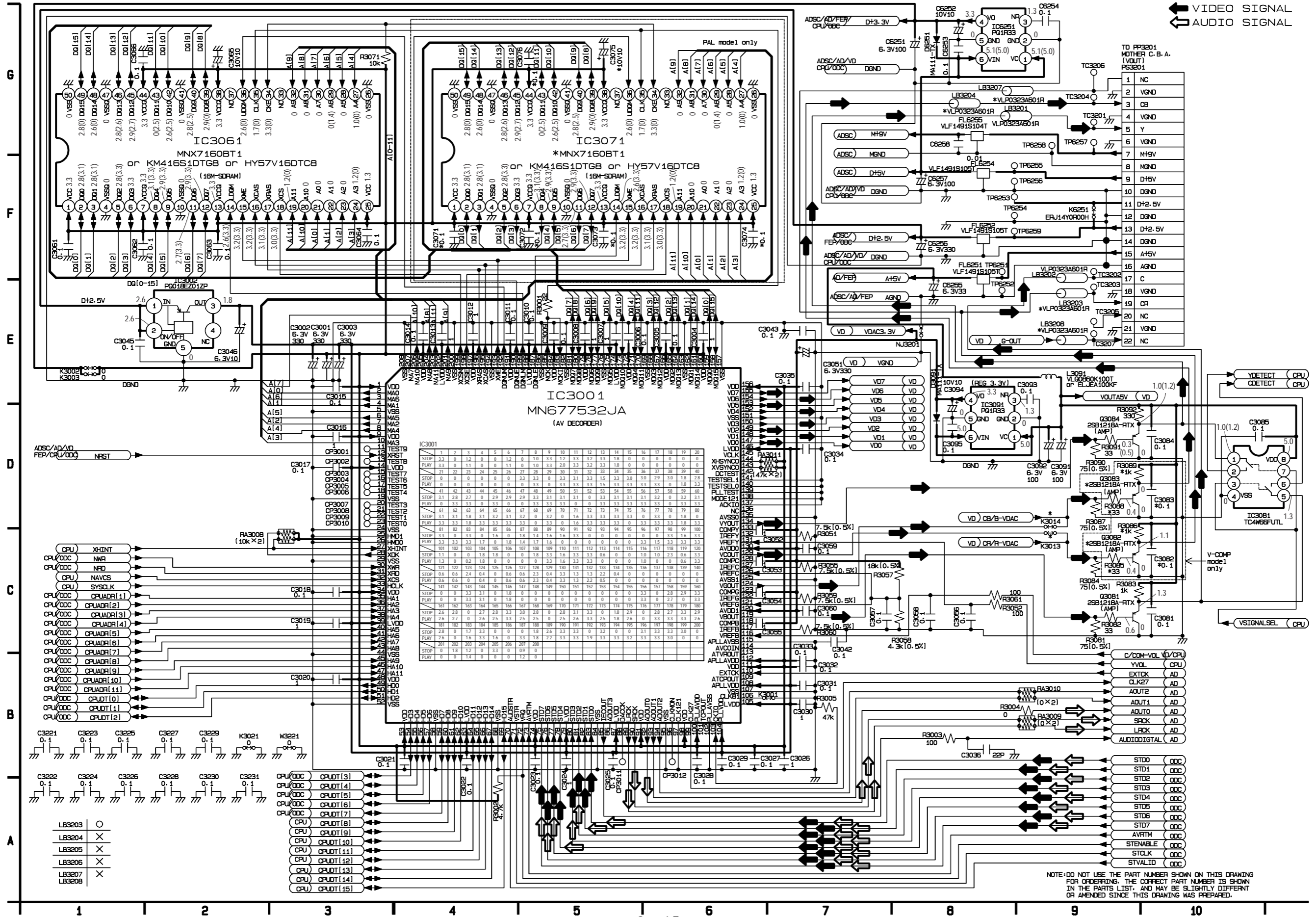
NOTE: DO NOT USE THE PART NUMBER SHOWN ON THIS DRAWING FOR ORDERING. THE CORRECT PART NUMBER IS SHOWN IN THE PARTS LIST, AND MAY BE SLIGHTLY DIFFERENT OR AMENDED SINCE THIS DRAWING WAS PREPARED.

5. AV DECORDER SECTION (MODULE C.B.A. (2/6)) SCHEMATIC DIAGRAM (FOR U MODEL)



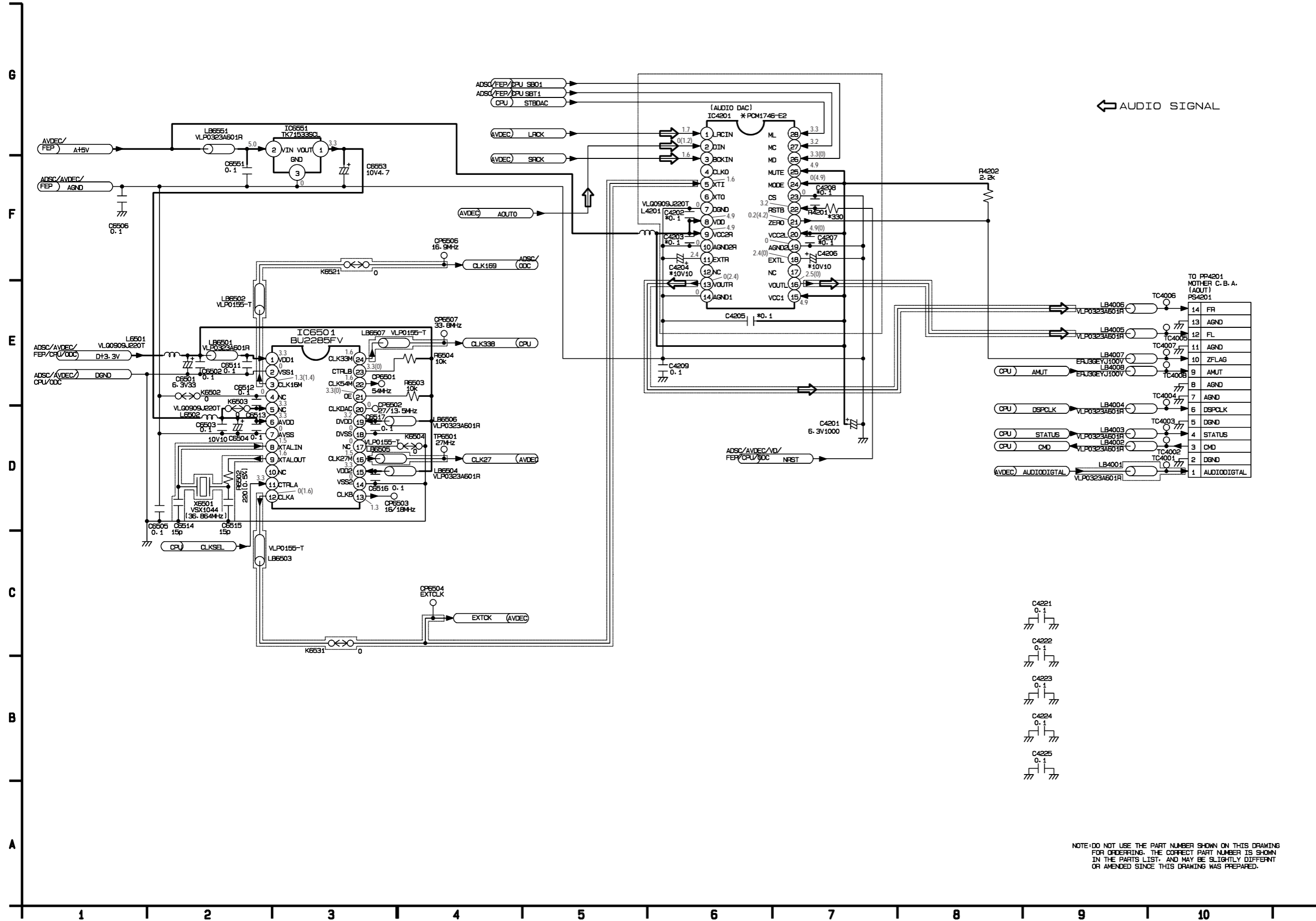
6. AV DECORDER SECTION (MODULE C.B.A. (2/6)) SCHEMATIC DIAGRAM (FOR G, B, A, R MODELS)

VIDEO SIGNAL
AUDIO SIGNAL



NOTE: DO NOT USE THE PART NUMBER SHOWN ON THIS DRAWING FOR ORDERING. THE CORRECT PART NUMBER IS SHOWN IN THE PARTS LIST, AND MAY BE SLIGHTLY DIFFERENT OR AMENDED SINCE THIS DRAWING WAS PREPARED.

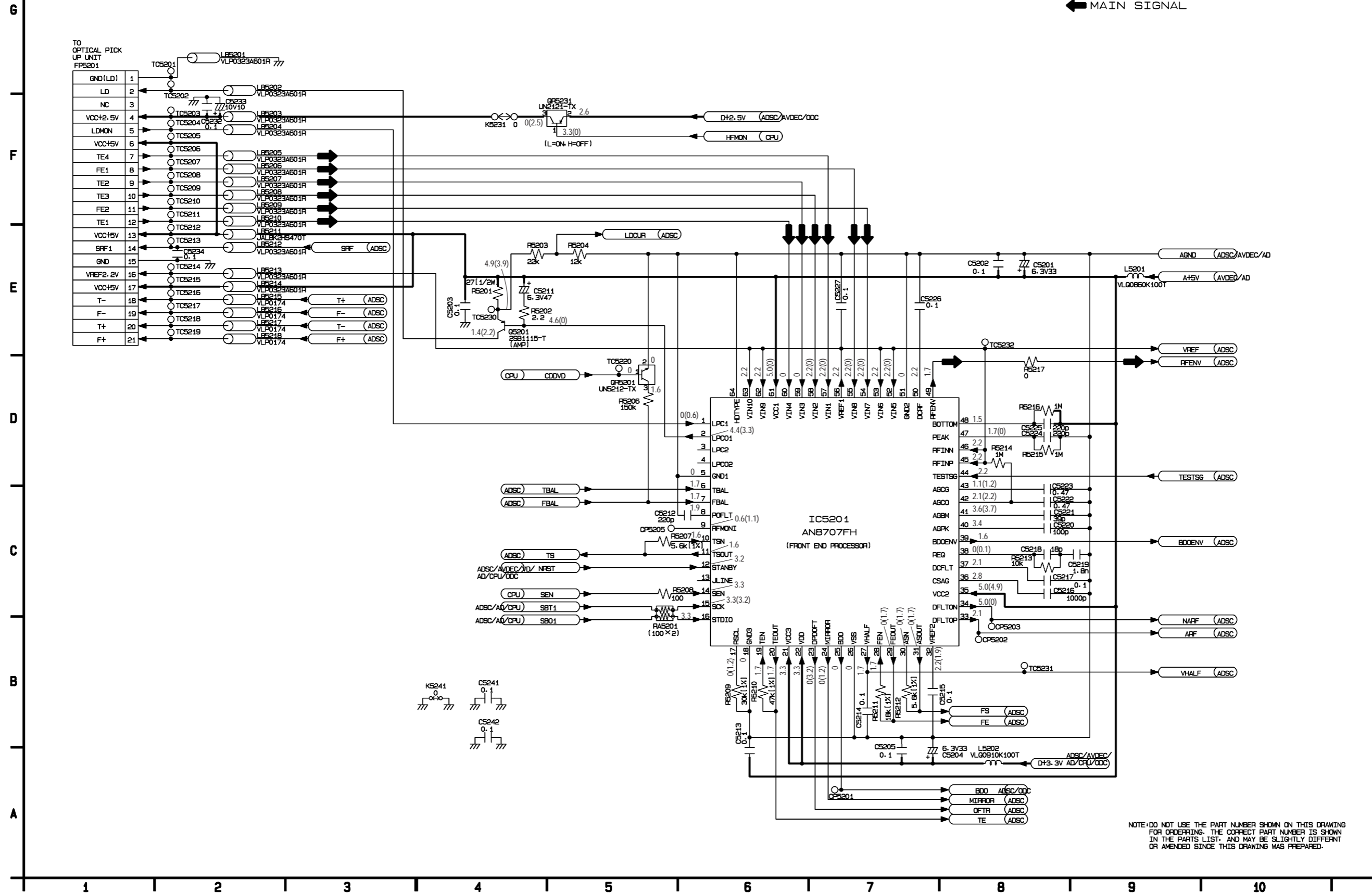
7. AUDIO SECTION (MODULE C.B.A. (3/6)) SCHEMATIC DIAGRAM



- C4221 0.1
- C4222 0.1
- C4223 0.1
- C4224 0.1
- C4225 0.1

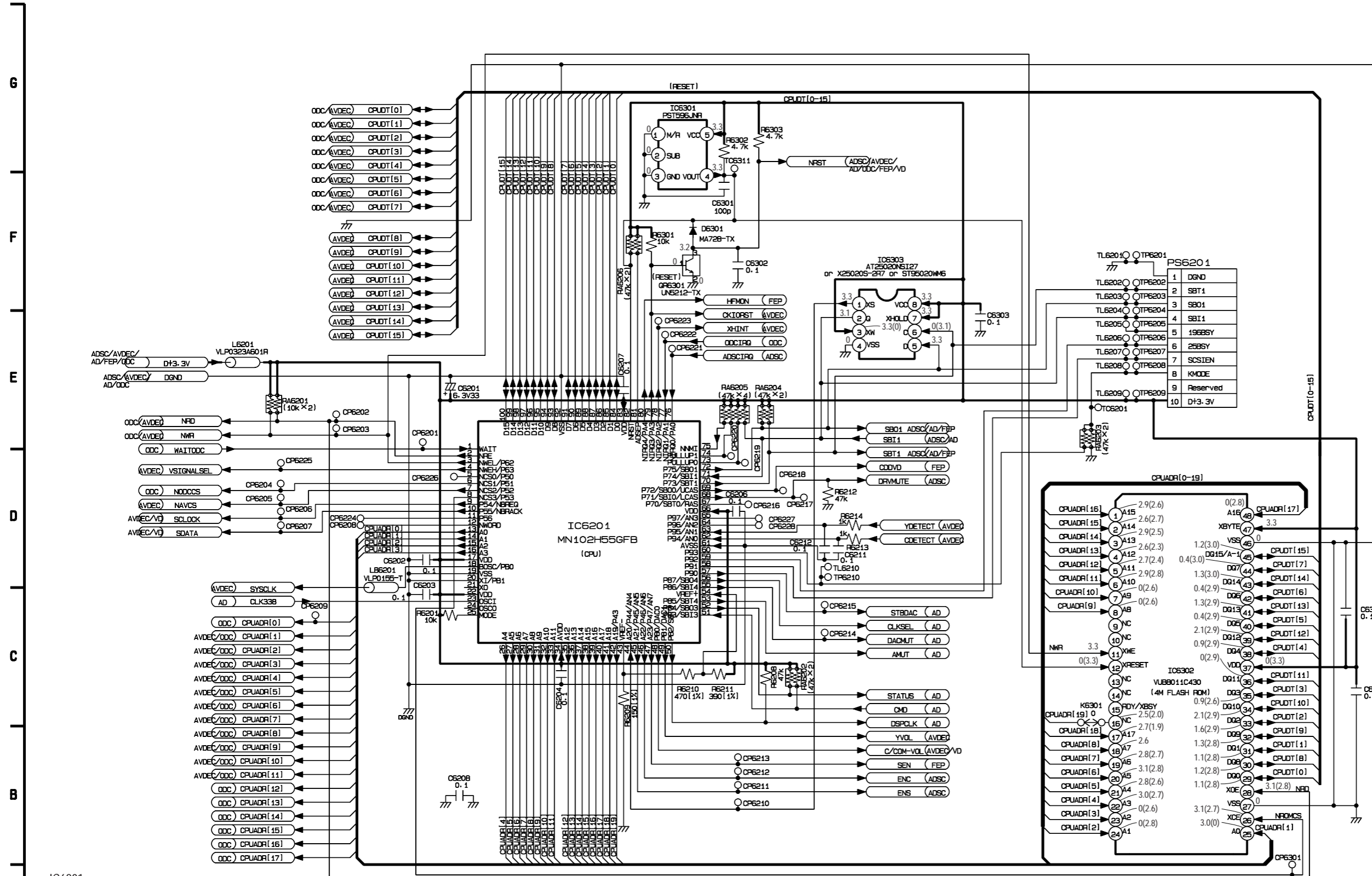
NOTE: DO NOT USE THE PART NUMBER SHOWN ON THIS DRAWING FOR ORDERING. THE CORRECT PART NUMBER IS SHOWN IN THE PARTS LIST, AND MAY BE SLIGHTLY DIFFERENT OR AMENDED SINCE THIS DRAWING WAS PREPARED.

8. FEP SECTION (MODULE C.B.A. (4/6)) SCHEMATIC DIAGRAM



NOTE: DO NOT USE THE PART NUMBER SHOWN ON THIS DRAWING FOR ORDERING. THE CORRECT PART NUMBER IS SHOWN IN THE PARTS LIST, AND MAY BE SLIGHTLY DIFFERENT OR AMENDED SINCE THIS DRAWING WAS PREPARED.

9. CPU SECTION (MODULE C.B.A. (5/6)) SCHEMATIC DIAGRAM



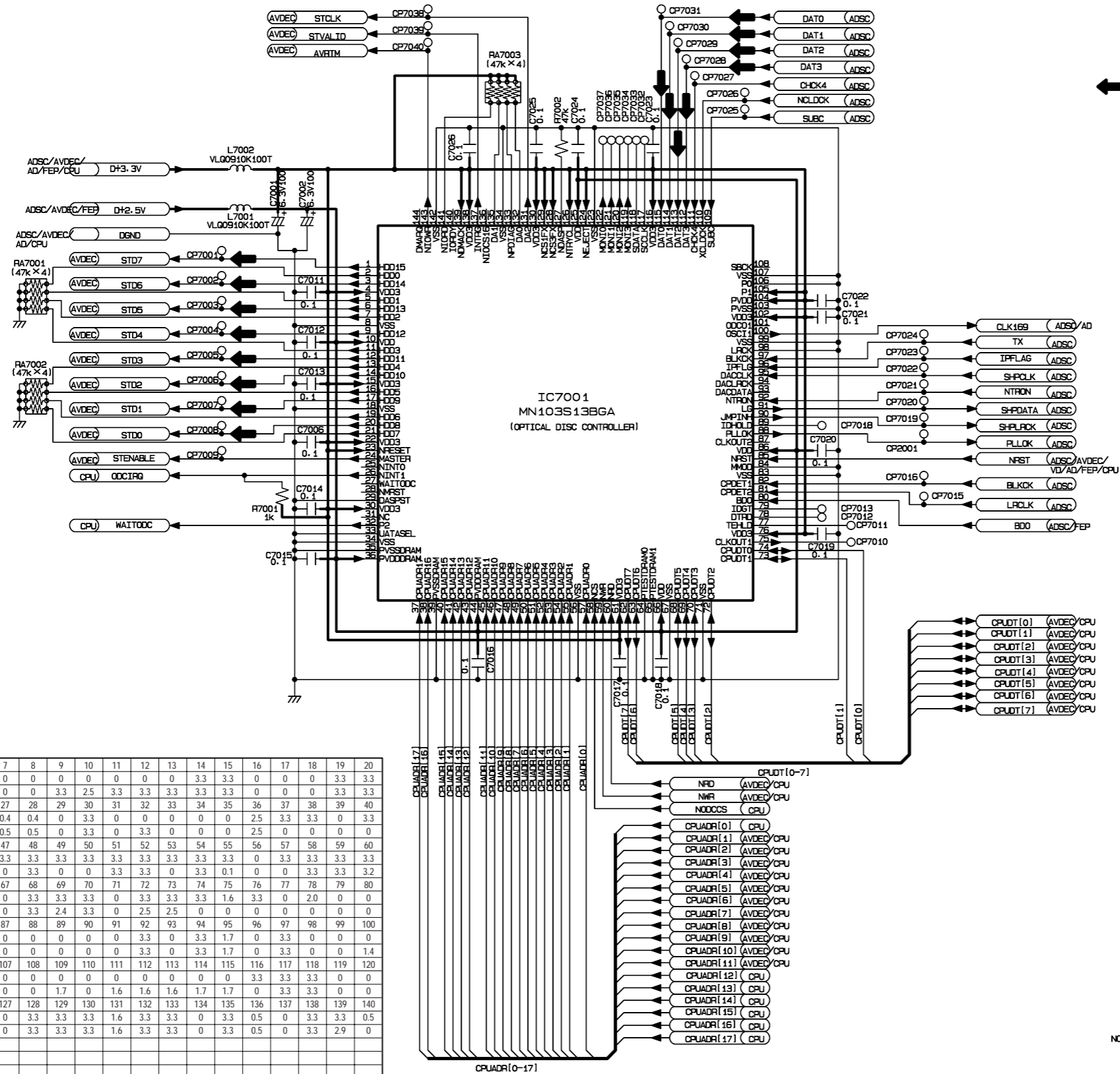
IC6201

	1	2	3	4	5	6	7	8	9	10	11	12	13	14	15	16	17	18	19	20	21	22	23	24	25	26	27	28	29	30	31	32	33	34	35	36	37	38	39	40			
STOP	3.3	3.1	3.3	2.1	0	3.3	3.3	3.0	3.3	0	3.3	3.3	2.5	3.0	0	0	3.3	0	0	0	3.3	3.3	1.6	1.6	3.3	3.0	2.8	3.0	3.3	0.3	0	0.1	0.3	3.3	0	3.3	3.3	3.3	0.1				
PLAY	3.3	0	3.3	2.3	0	0	3.3	2.7	0	0	0	0	2.7	0	0	0	3.3	3.3	1.6	1.6	3.3	2.7	2.6	2.7	2.7	2.6	2.6	2.7	3.3	2.4	2.3	2.5	2.7	2.5	2.8								
	41	42	43	44	45	46	47	48	49	50	51	52	53	54	55	56	57	58	59	60	61	62	63	64	65	66	67	68	69	70	71	72	73	74	75	76	77	78	79	80			
STOP	0.1	0.3	0	0.5	0.4	0.5	2.7	1.0	1.3	3.3	3.3	3.3	3.2	1.3	3.3	3.3	0.4	0.4	0.4	0	0	1.3	1.0	0.5	0.5	3.3	0	0	3.3	0	3.3	3.3	3.3	3.3	3.3	3.3	0	0	0	0			
PLAY	1.9	2.0	0.8	3.3	3.3	3.3	3.3	1.0	1.2	2.8	1.5	2.5	0	1.3	3.3	3.3	3.3	0	0	0	1.0	0	1.3	1.2	3.3	0	3.3	3.3	3.3	0	3.3	2.8	3.3	3.2	0	3.2	3.3	0.1	0	0	0		
	81	82	83	84	85	86	87	88	89	90	91	92	93	94	95	96	97	98	99	100																							
STOP	3.3	3.3	3.3	3.3	3.3	3.3	3.3	0	3.3	3.3	3.3	0	3.3	3.3	3.3	3.3	0	0	3.3	3.3																							
PLAY	3.2	3.3	3.3	0	2.6	0	0	0	3.3	3.3	2.4	0	0	0	2.5	0	0	3.3	3.3																								

NOTE: DO NOT USE THE PART NUMBER SHOWN ON THIS DRAWING FOR ORDERING. THE CORRECT PART NUMBER IS SHOWN IN THE PARTS LIST, AND MAY BE SLIGHTLY DIFFERENT OR AMENDED SINCE THIS DRAWING WAS PREPARED.

10. ODC SECTION (MODULE C.B.A. (6/6)) SCHEMATIC DIAGRAM

G
F
E
D
C
B
A



← MAIN SIGNAL PATH

IC7001

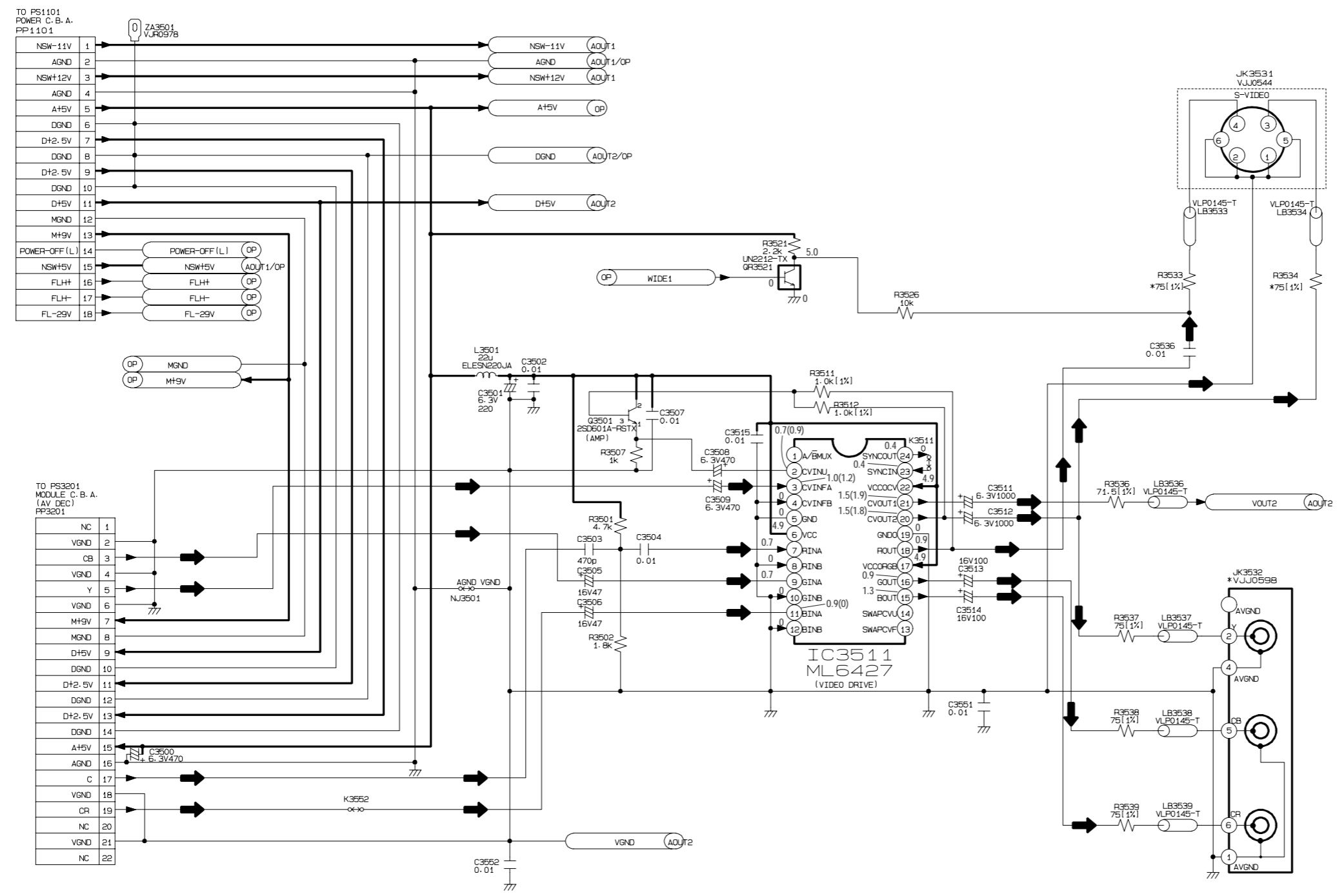
	1	2	3	4	5	6	7	8	9	10	11	12	13	14	15	16	17	18	19	20	
STOP	3.3	0.6	0	0	3.3	3.3	0	0	0	0	0	0	0	3.3	3.3	0	0	0	0	3.3	3.3
PLAY	3.3	3.3	3.3	3.3	3.3	3.3	0	0	3.3	2.5	3.3	3.3	3.3	3.3	3.3	0	0	0	0	3.3	3.3
STOP	3.3	3.3	3.3	3.3	0.4	3.3	0.4	0.4	0	3.3	0	0	0	0	0	2.5	3.3	3.3	0	3.3	3.3
PLAY	3.3	3.3	3.3	3.3	0.5	0.5	0	3.3	0	3.3	0	3.3	0	0	0	2.5	0	0	0	0	0
STOP	41	42	43	44	45	46	47	48	49	50	51	52	53	54	55	56	57	58	59	60	60
PLAY	3.3	3.3	3.3	2.5	0	3.3	3.3	3.3	3.3	3.3	3.3	3.3	3.3	3.3	3.3	0	3.3	3.3	3.3	3.3	3.3
STOP	61	62	63	64	65	66	67	68	69	70	71	72	73	74	75	76	77	78	79	80	80
PLAY	3.3	3.3	3.3	0	0	2.5	0	3.3	3.3	3.3	0	3.3	3.3	3.3	1.6	3.3	0	2.0	0	0	0
STOP	81	82	83	84	85	86	87	88	89	90	91	92	93	94	95	96	97	98	99	100	100
PLAY	3.3	0	0	0	3.3	0	0	3.3	0	0	3.3	0	3.3	0	3.3	1.7	0	3.3	0	0	0
STOP	101	102	103	104	105	106	107	108	109	110	111	112	113	114	115	116	117	118	119	120	120
PLAY	0	1.6	3.3	3.1	3.3	0	0	0	0	0	0	0	0	0	0	3.3	3.3	3.3	0	0	0
STOP	121	122	123	124	125	126	127	128	129	130	131	132	133	134	135	136	137	138	139	140	140
PLAY	0	0	0	3.3	2.5	3.3	0	3.3	3.3	3.3	1.6	3.3	3.3	0	3.3	0.5	0	3.3	3.3	0.5	
STOP	141	142	143	144																	
PLAY	0	0	0	3.3																	

NOTE: DO NOT USE THE PART NUMBER SHOWN ON THIS DRAWING FOR ORDERING. THE CORRECT PART NUMBER IS SHOWN IN THE PARTS LIST, AND MAY BE SLIGHTLY DIFFERENT OR AMENDED SINCE THIS DRAWING WAS PREPARED.

11.VIDEO OUT SECTION (MOTHER C.B.A. (1/4)) SCHEMATIC DIAGRAM (FOR U, A, R MODELS)

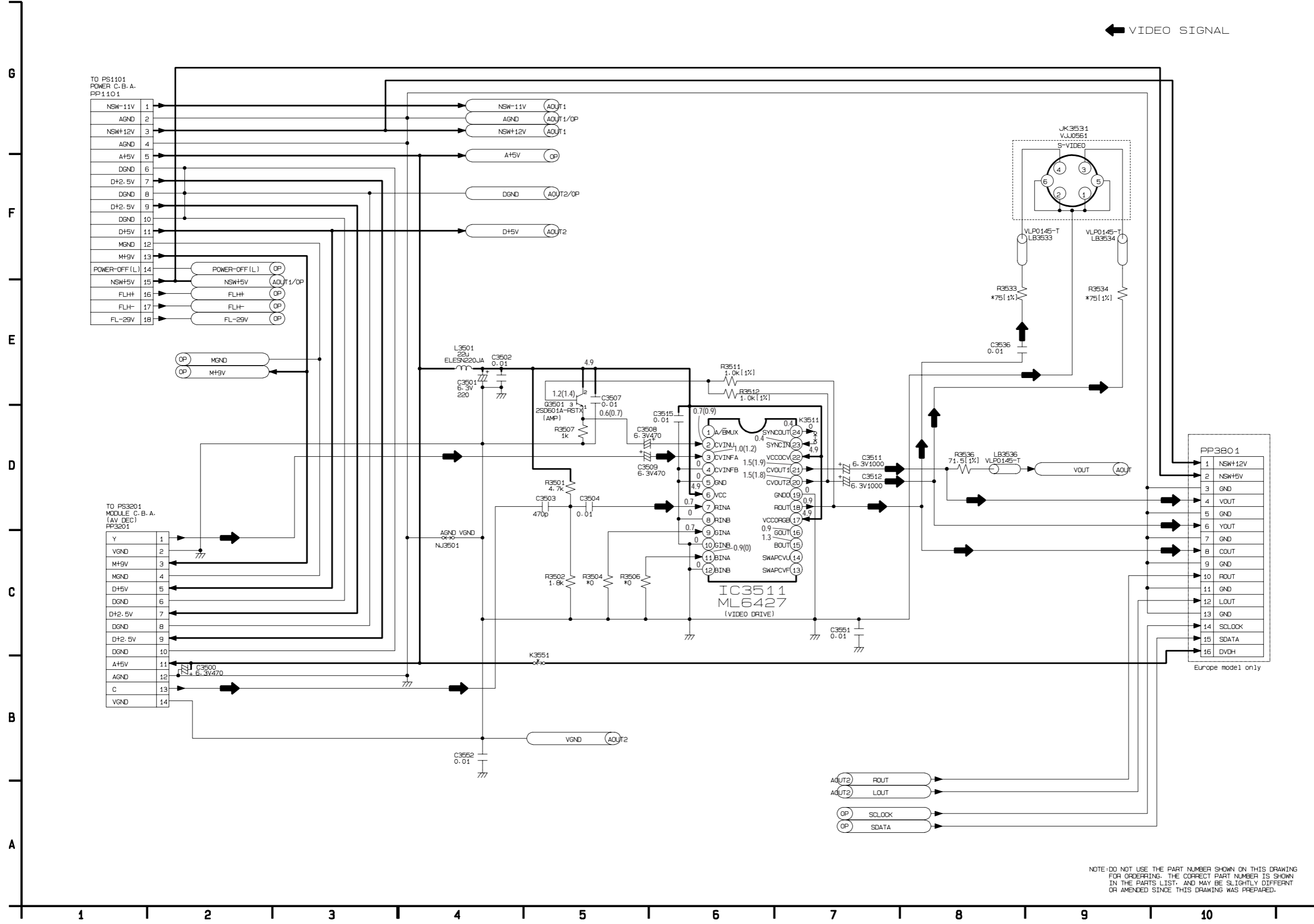
G
F
E
D
C
B
A

← VIDEO SIGNAL



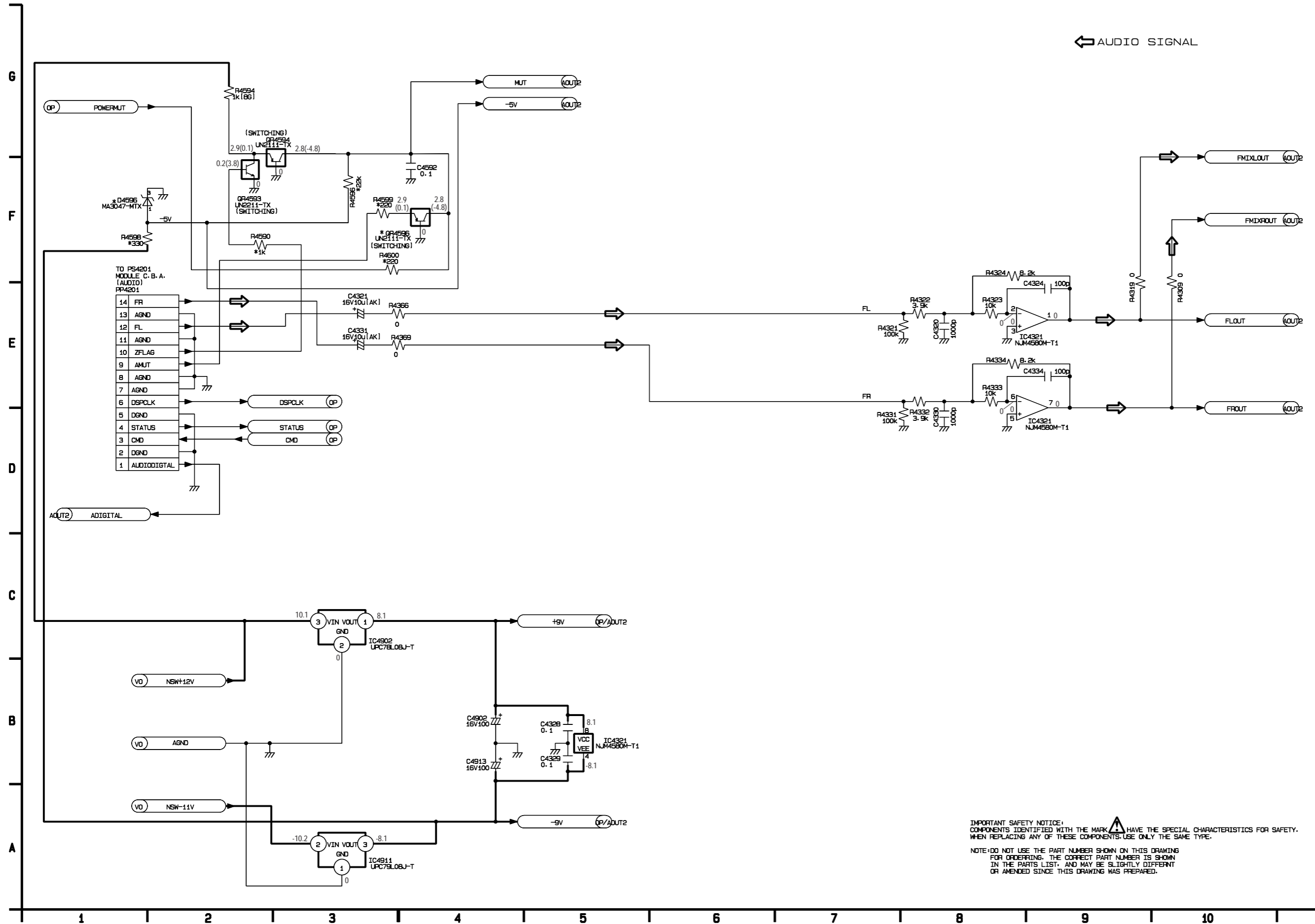
NOTE: DO NOT USE THE PART NUMBER SHOWN ON THIS DRAWING FOR ORDERING. THE CORRECT PART NUMBER IS SHOWN IN THE PARTS LIST, AND MAY BE SLIGHTLY DIFFERENT OR AMENDED SINCE THIS DRAWING WAS PREPARED.


12.VIDEO OUT SECTION (MOTHER C.B.A. (1/4)) SCHEMATIC DIAGRAM (FOR G, B MODELS)



NOTE: DO NOT USE THE PART NUMBER SHOWN ON THIS DRAWING FOR ORDERING. THE CORRECT PART NUMBER IS SHOWN IN THE PARTS LIST, AND MAY BE SLIGHTLY DIFFERENT OR AMENDED SINCE THIS DRAWING WAS PREPARED.

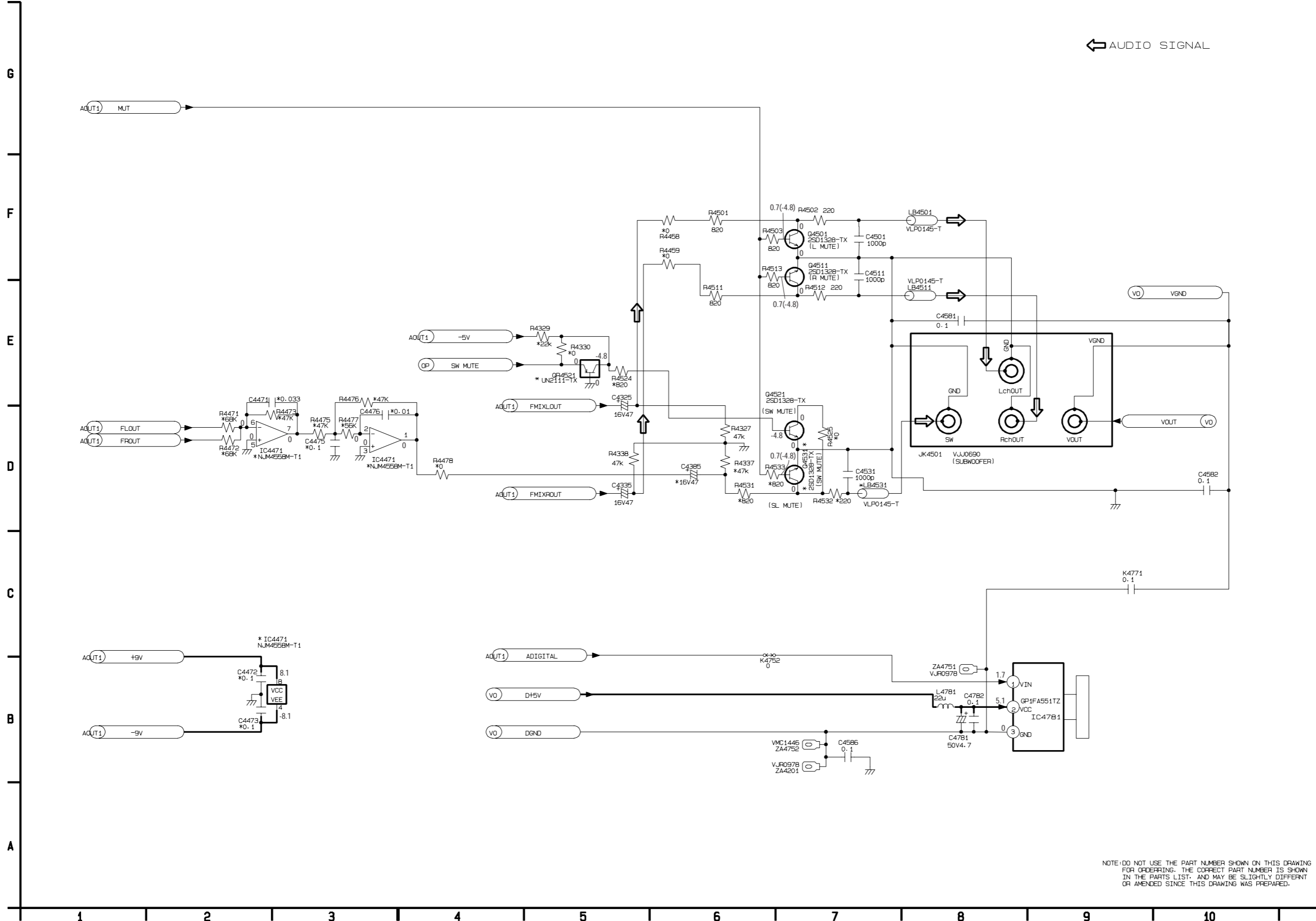
13. AUDIO OUT1 SECTION (MOTHER C.B.A. (2/4)) SCHEMATIC DIAGRAM



IMPORTANT SAFETY NOTICE: COMPONENTS IDENTIFIED WITH THE MARK  HAVE THE SPECIAL CHARACTERISTICS FOR SAFETY. WHEN REPLACING ANY OF THESE COMPONENTS, USE ONLY THE SAME TYPE.

NOTE: DO NOT USE THE PART NUMBER SHOWN ON THIS DRAWING FOR ORDERING. THE CORRECT PART NUMBER IS SHOWN IN THE PARTS LIST, AND MAY BE SLIGHTLY DIFFERENT OR AMENDED SINCE THIS DRAWING WAS PREPARED.

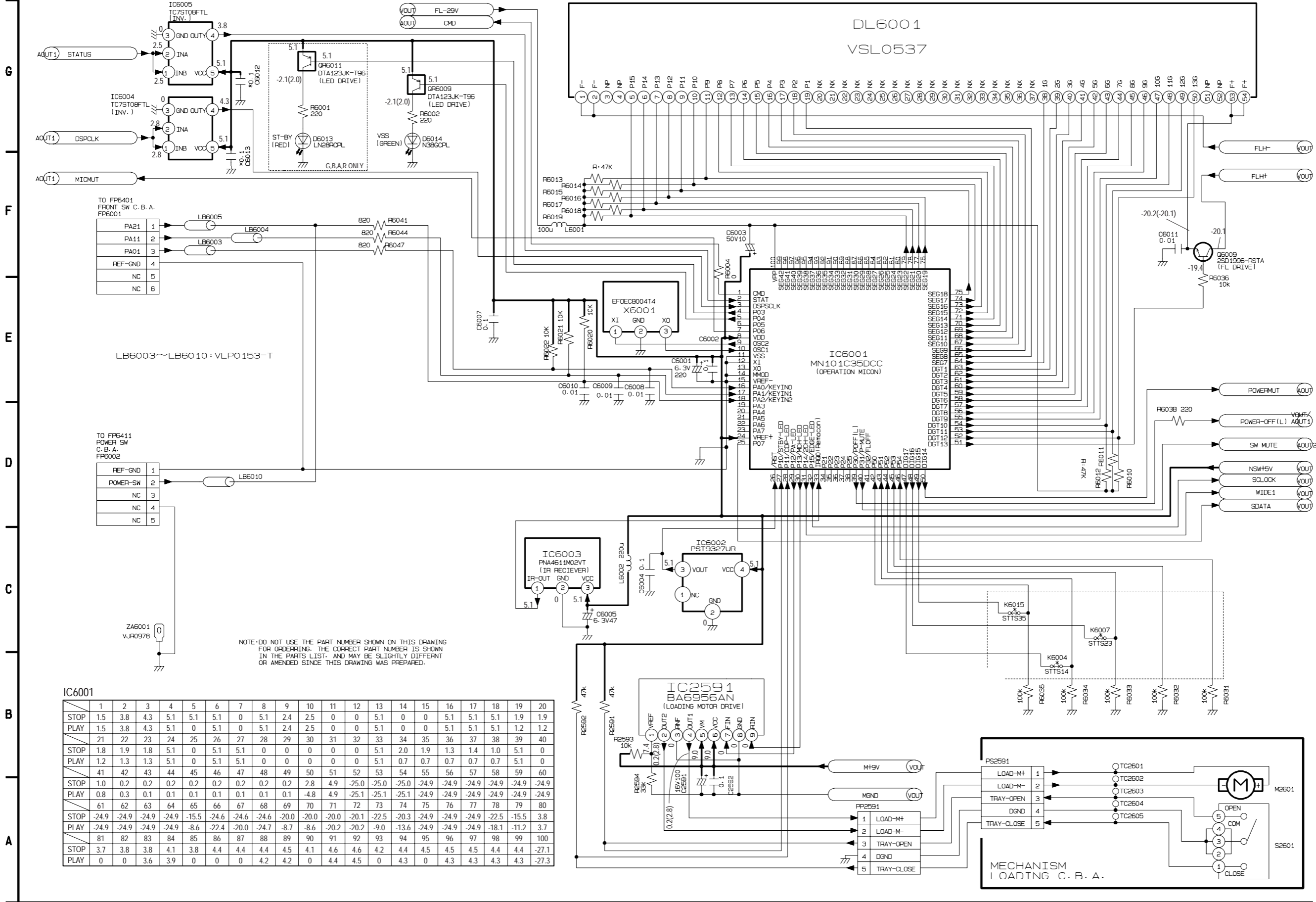
14. AUDIO OUT2 SECTION (MOTHER C.B.A. (3/4)) SCHEMATIC DIAGRAM



← AUDIO SIGNAL

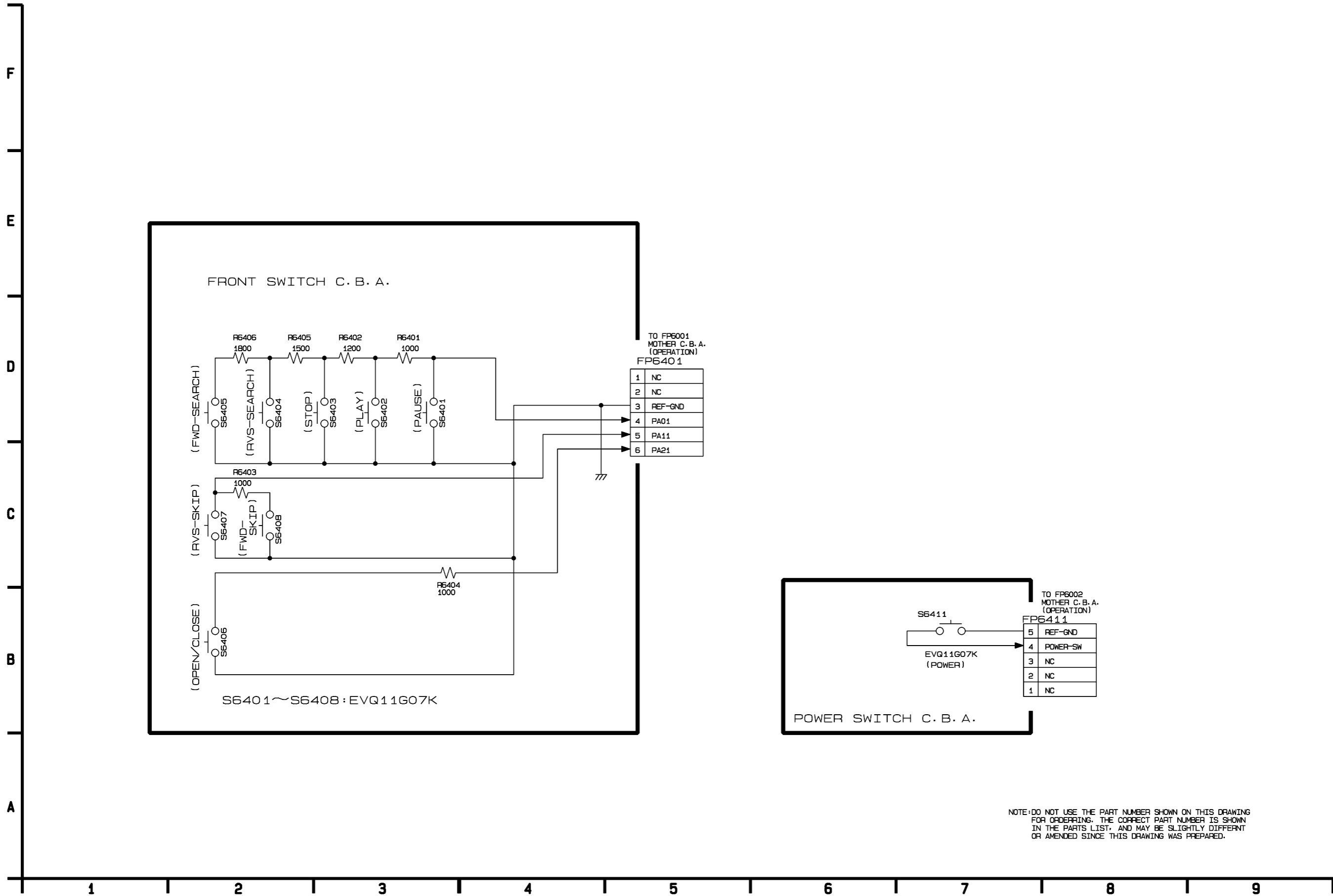
NOTE: DO NOT USE THE PART NUMBER SHOWN ON THIS DRAWING FOR ORDERING. THE CORRECT PART NUMBER IS SHOWN IN THE PARTS LIST. AND MAY BE SLIGHTLY DIFFERENT OR AMENDED SINCE THIS DRAWING WAS PREPARED.

15. OPERATION SECTION (MOTHER C.B.A. (4/4)) SCHEMATIC DIAGRAM

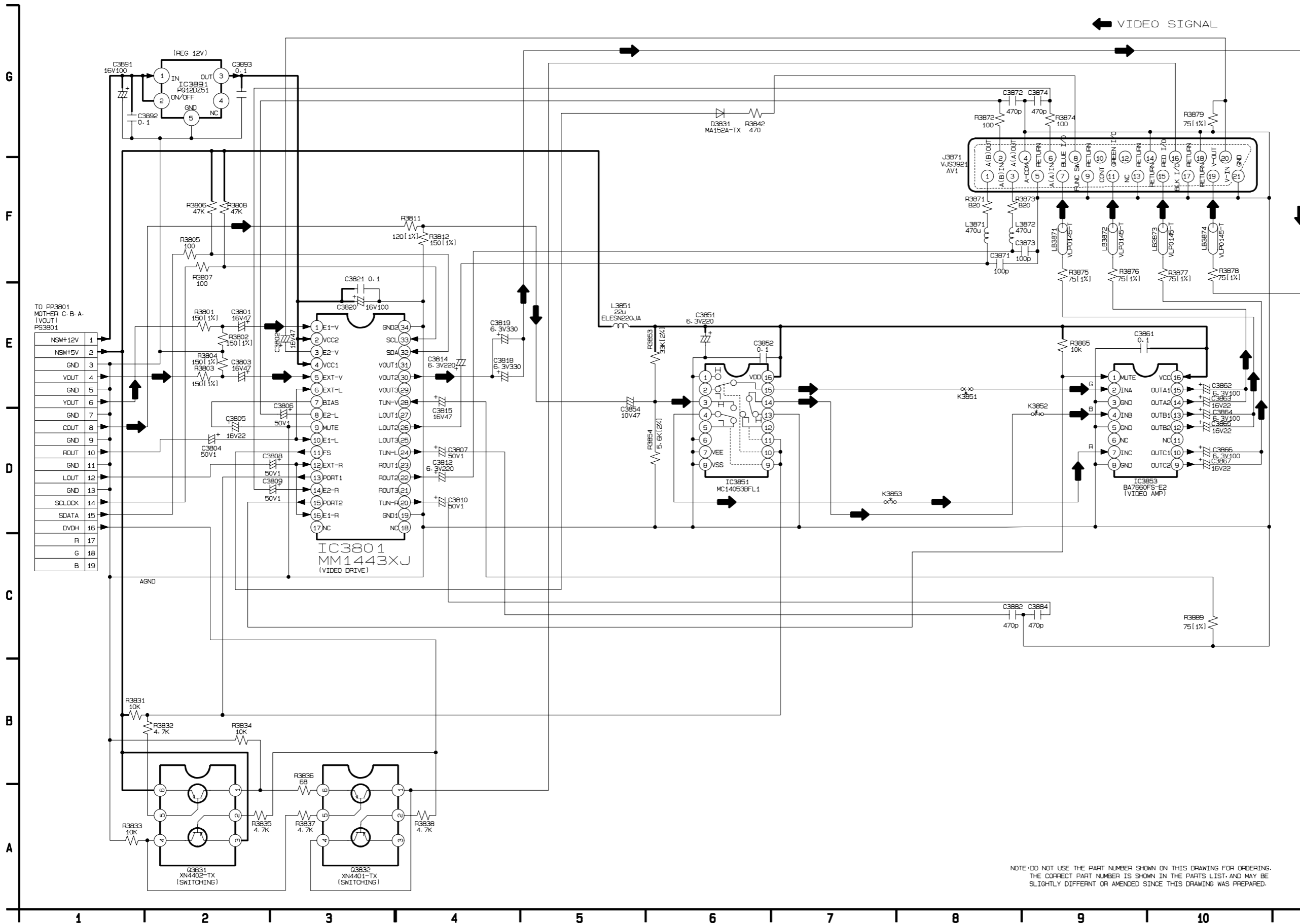


NOTE: DO NOT USE THE PART NUMBER SHOWN ON THIS DRAWING FOR ORDERING. THE CORRECT PART NUMBER IS SHOWN IN THE PARTS LIST. AND MAY BE SLIGHTLY DIFFERENT OR AMENDED SINCE THIS DRAWING WAS PREPARED.

16. FRONT SWITCH AND POWER SWITCH SCHEMATIC DIAGRAM



17. SCART SCHEMATIC DIAGRAM (FOR G, B MODELS)

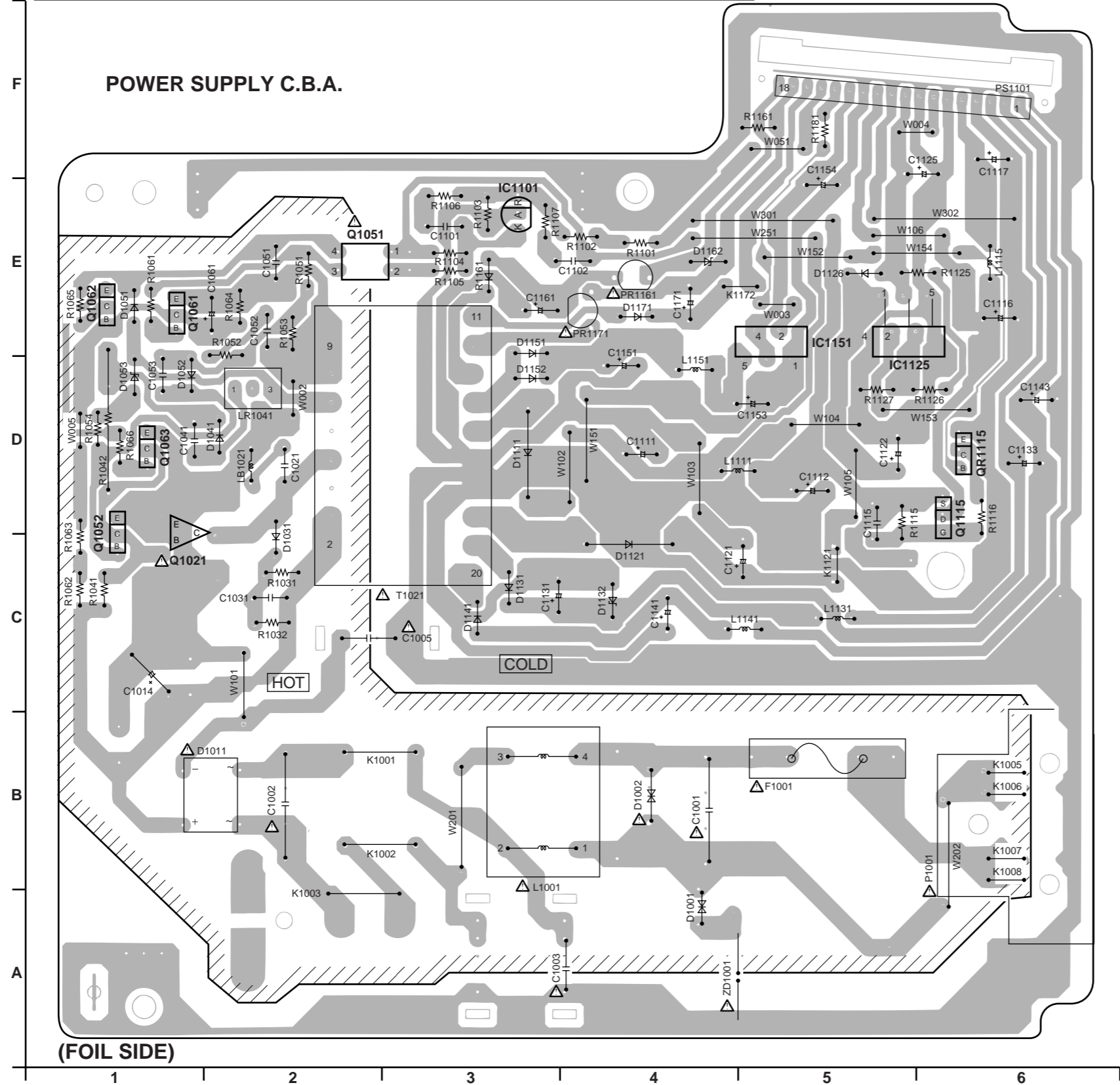


CIRCUIT BOARD DIAGRAM

1. POWER SUPPLY C.B.A. (FOR U MODEL)

U MODEL

CAUTION THE STRIPED FRAME INDICATES THE PRIMARY CIRCUIT TO DISTINGUISH THE PRIMARY FROM THE SECONDARY CIRCUIT. PAY ATTENTION NOT TO RECEIVE AN ELECTRIC SHOCK DURING REPAIR AND SERVICE OF THE PRODUCTS.

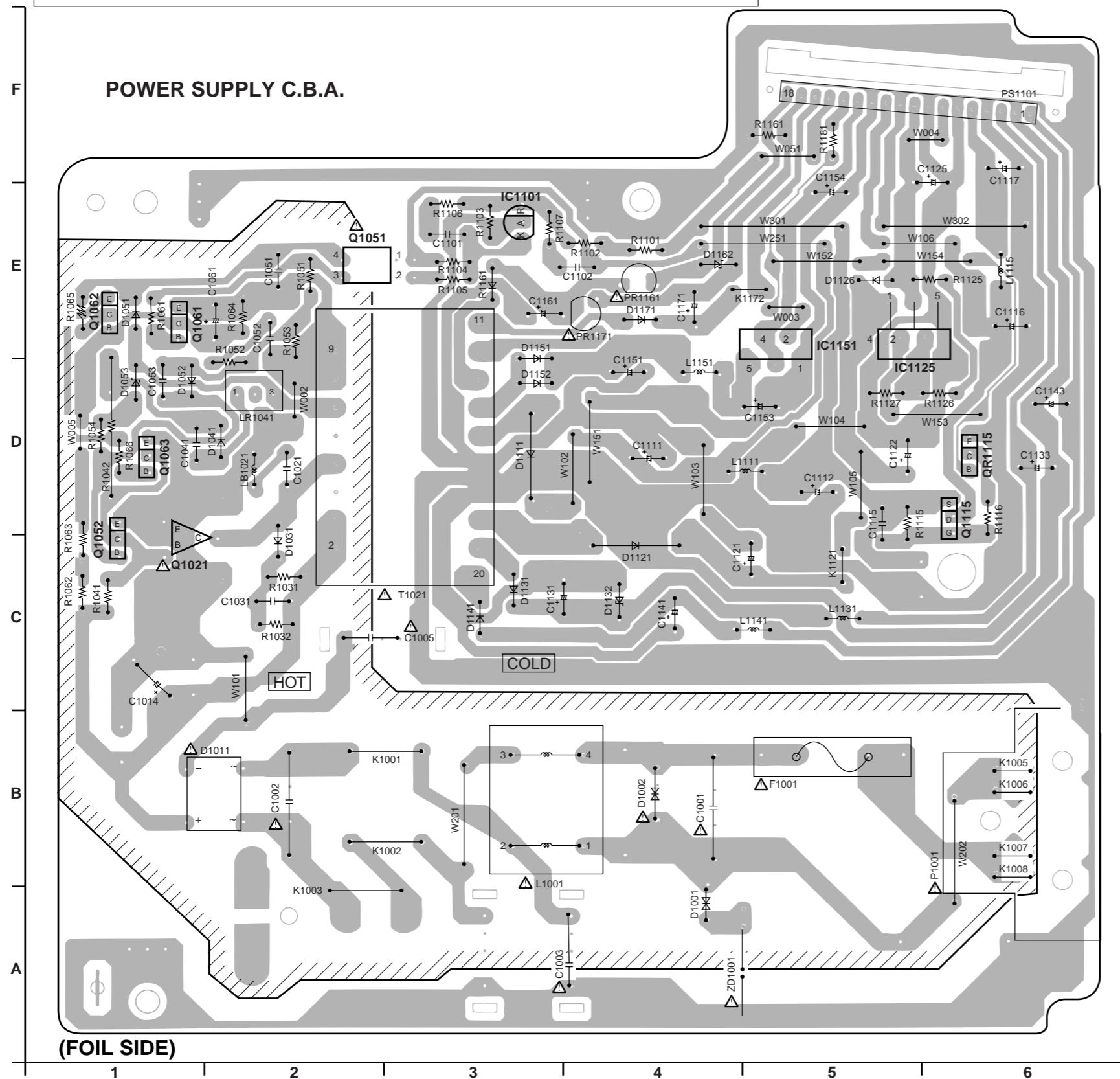


POWER SUPPLY C.B.A.			
Transistors		Integrated Circuits	
Q1021	C-1	IC1101	E-3
Q1051	E-2	IC1125	E-5
Q1052	D-1	IC1151	E-5
Q1061	E-1	Connectors	
Q1062	E-1	P1001	B-6
Q1063	D-1	PS1101	F-6
Q1115	D-6		
Transistor-resistors			
QR1115	D-6		

ADDRESS INFORMATION

2. POWER SUPPLY C.B.A. (FOR G, B, A MODELS)

CAUTION THE STRIPED FRAME INDICATES THE PRIMARY CIRCUIT TO DISTINGUISH THE PRIMARY FROM THE SECONDARY CIRCUIT. PAY ATTENTION NOT TO RECEIVE AN ELECTRIC SHOCK DURING REPAIR AND SERVICE OF THE PRODUCTS.

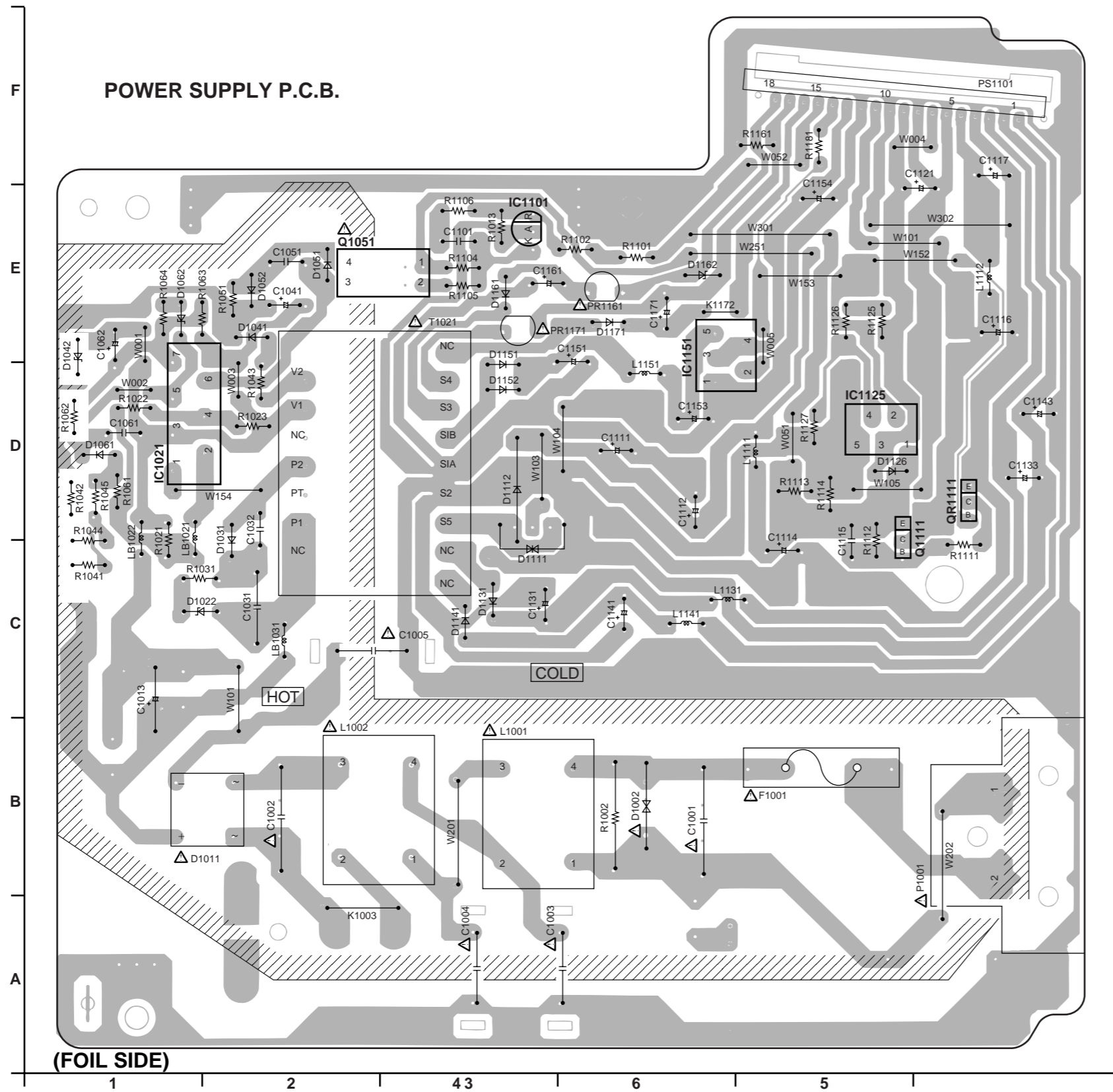


POWER SUPPLY C.B.A.			
Transistors		Integrated Circuits	
Q1021	C-1	IC1101	E-3
Q1051	E-2	IC1125	E-5
Q1052	D-1	IC1151	E-5
Q1061	E-1	Connectors	
Q1062	E-1	P1001	B-6
Q1063	D-1	PS1101	F-6
Q1115	D-6		
Transistor-resistors			
QR1115	D-6		

ADDRESS INFORMATION

3. POWER SUPPLY C.B.A. (FOR R MODEL)

CAUTION THE STRIPED FRAME INDICATES THE PRIMARY CIRCUIT TO DISTINGUISH THE PRIMARY FROM THE SECONDARY CIRCUIT. PAY ATTENTION NOT TO RECEIVE AN ELECTRIC SHOCK DURING REPAIR AND SERVICE OF THE PRODUCTS.

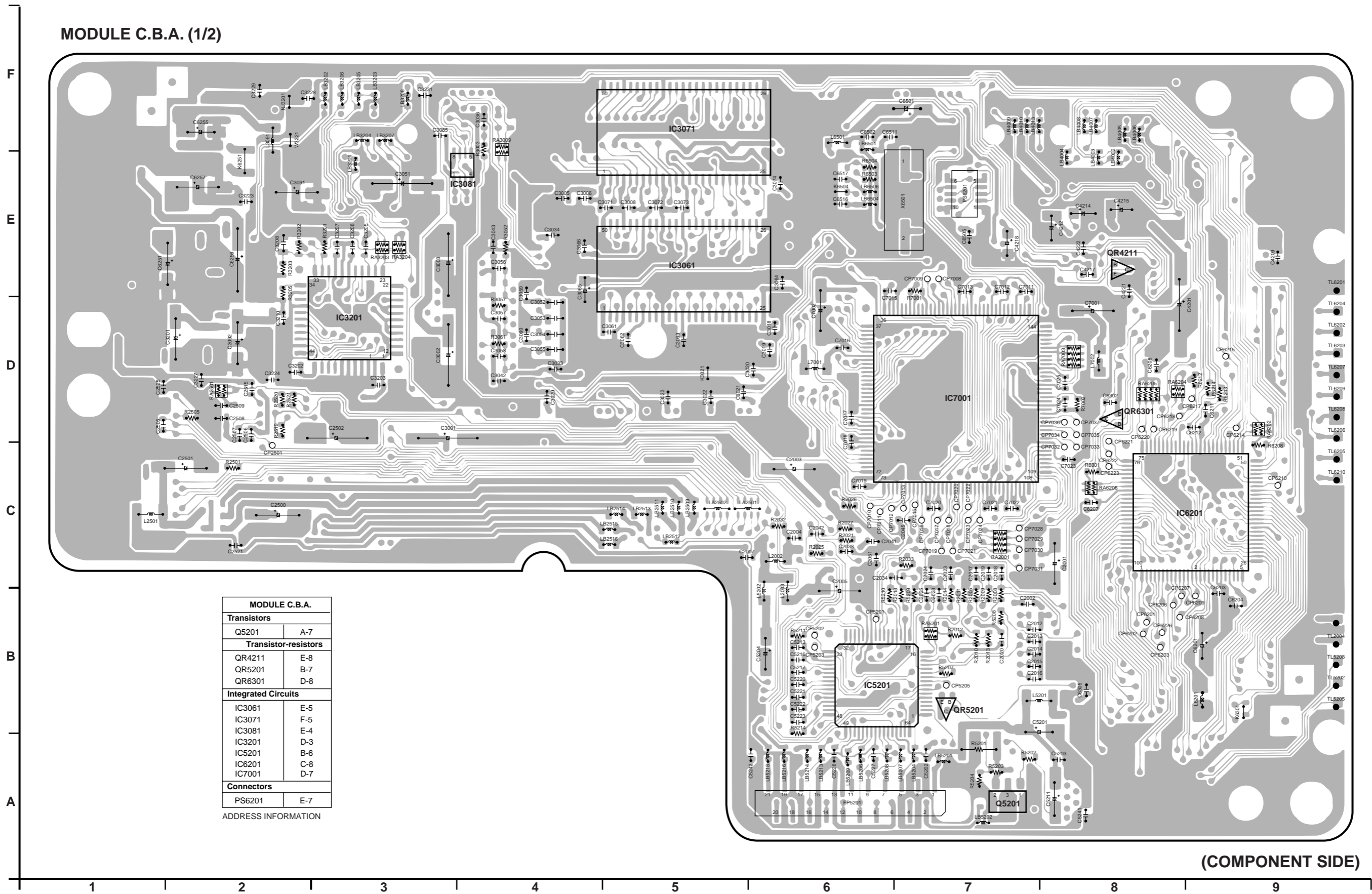


POWER SUPPLY P.C.B.			
Transistors		Integrated Circuits	
Q1051	E-2	IC1021	D-1
Q1111	D-6	IC1101	E-3
Transistor-resistors		IC1125	D-5
QR1111	D-7	IC1151	E-4
		Connectors	
		P1001	B-6
		PS1101	F-6

ADDRESS INFORMATION

4. MODULE C.B.A.

MODULE C.B.A. (1/2)

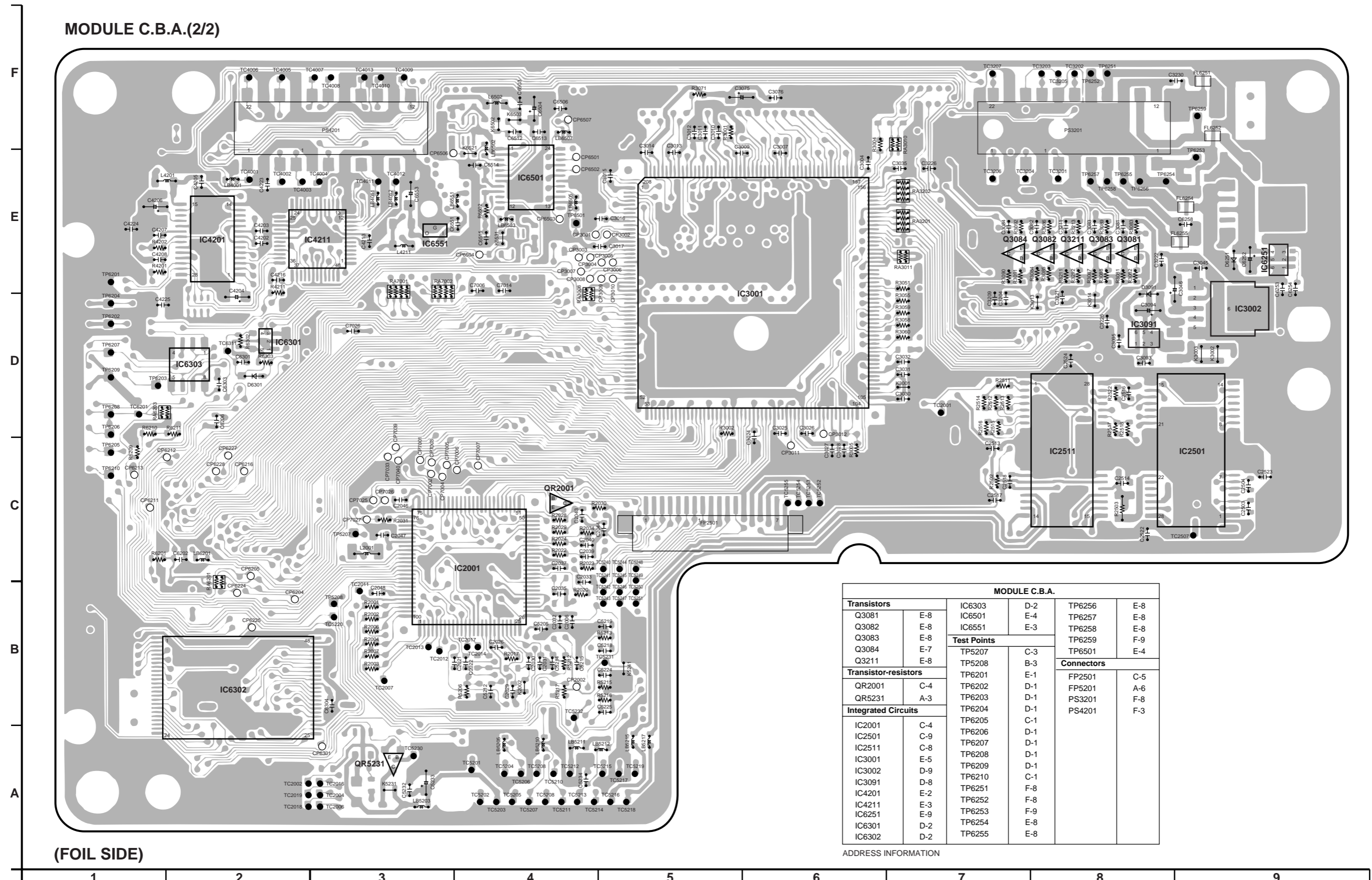


MODULE C.B.A.	
Transistors	
Q5201	A-7
Transistor-resistors	
QR4211	E-8
QR5201	B-7
QR6301	D-8
Integrated Circuits	
IC3061	E-5
IC3071	F-5
IC3081	E-4
IC3201	D-3
IC5201	B-6
IC6201	C-8
IC7001	D-7
Connectors	
PS6201	E-7

ADDRESS INFORMATION

(COMPONENT SIDE)

MODULE C.B.A.(2/2)



(FOIL SIDE)

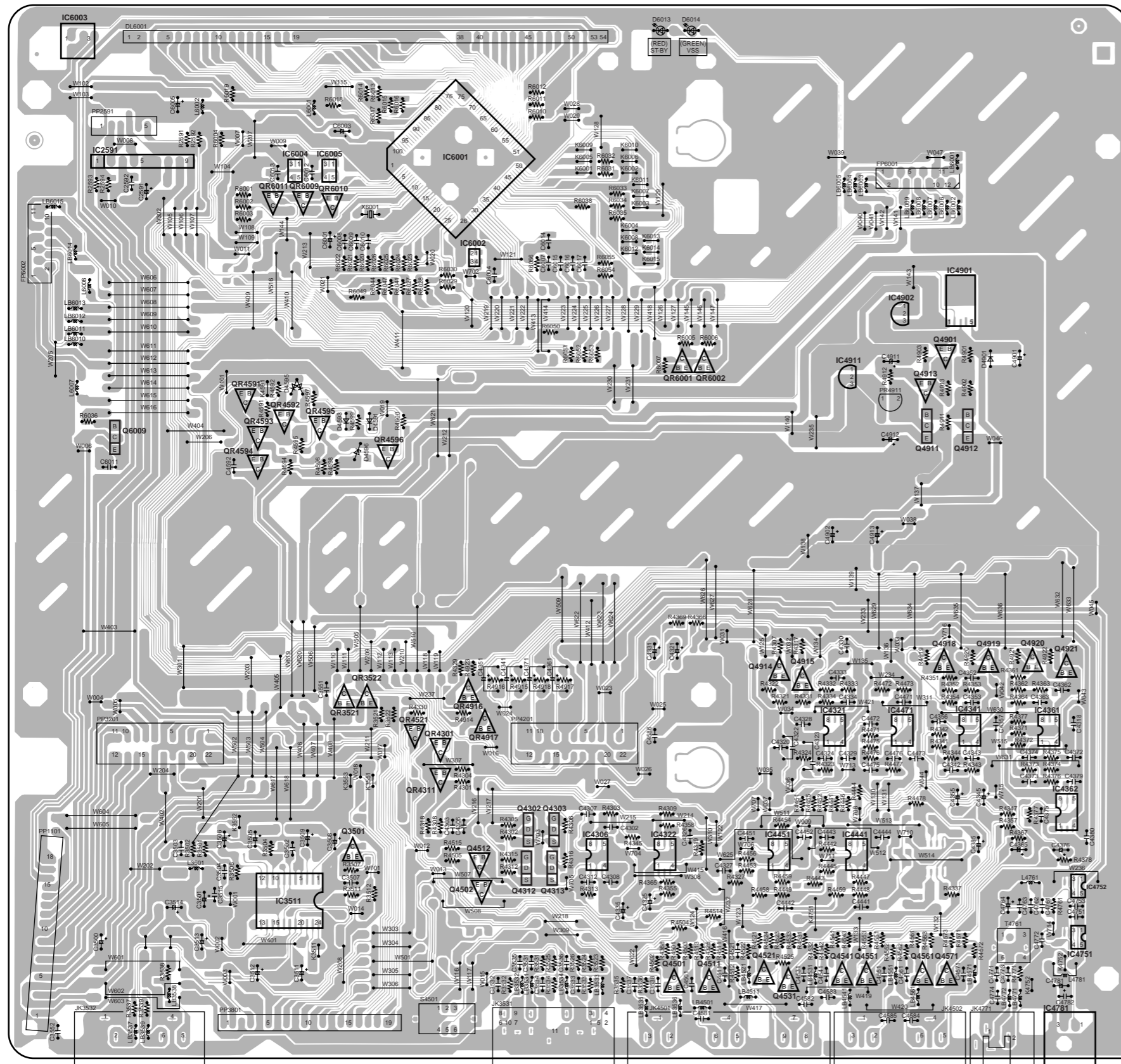
MODULE C.B.A.					
Transistors		IC6303	D-2	TP6256	E-8
Q3081	E-8	IC6501	E-4	TP6257	E-8
Q3082	E-8	IC6551	E-3	TP6258	E-8
Q3083	E-8	Test Points	C-3	TP6259	F-9
Q3084	E-7			TP6501	E-4
Q3211	E-8	TP5207	B-3	Connectors	
Transistor-resistors		TP6201	E-1	FP2501	C-5
QR2001	C-4	TP6202	D-1	FP5201	A-6
QR5231	A-3	TP6203	D-1	PS3201	F-8
Integrated Circuits		TP6204	D-1	PS4201	F-3
IC2001	C-4	TP6205	C-1		
IC2501	C-9	TP6206	D-1		
IC2511	C-8	TP6207	D-1		
IC3001	E-5	TP6208	D-1		
IC3002	D-9	TP6209	D-1		
IC3091	D-8	TP6210	C-1		
IC4201	E-2	TP6251	F-8		
IC4211	E-3	TP6252	F-8		
IC6251	E-9	TP6253	F-9		
IC6301	D-2	TP6254	E-8		
IC6302	D-2	TP6255	E-8		

ADDRESS INFORMATION

5. MOTHER C.B.A.

MOTHER C.B.A.

F
E
D
C
B
A



MOTHER C.B.A.			
Transistors		Transistors	
Q3501	B-3	Q4914	C-5
Q4302	B-4	Q4915	C-5
Q4303	B-4	Q4918	C-6
Q4312	B-4	Q4919	C-6
Q4313	B-4	Q4920	C-6
Q4501	A-4	Q4921	C-6
Q4502	B-3	Q6009	D-1
Q4511	A-4		
Q4512	B-3		
Q4521	A-5		
Q4531	A-5		
Q4541	A-5		
Q4551	A-5		
Q4561	A-6		
Q4571	A-6		
Q4901	E-6		
Q4911	D-6		
Q4912	D-6		
Q4913	D-6		

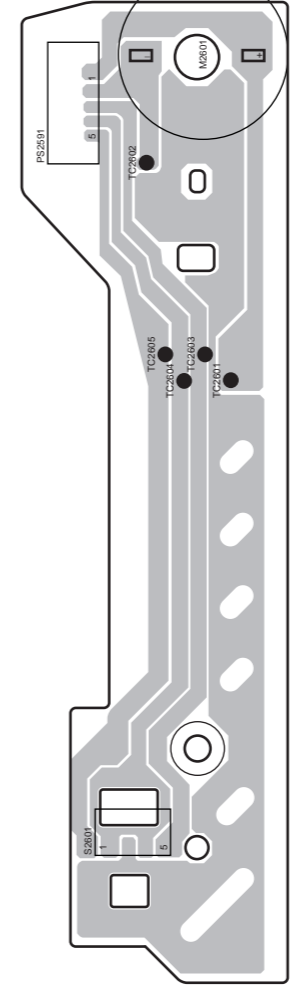
ADDRESS INFORMATION

Transistor-resistors	
QR3521	C-3
QR3522	C-3
QR4301	C-3
QR4311	B-3
QR4521	C-3
QR4591	D-2
QR4592	D-2
QR4593	D-2
QR4594	D-2
QR4595	D-2
QR4596	D-3
QR4916	C-3
QR4917	C-3
QR6001	E-4
QR6002	E-4
QR6010	E-2
QR6011	E-2

Integrated Circuits	
IC2591	F-1
IC3511	B-2
IC4306	B-4
IC4321	C-5
IC4322	B-4
IC4341	C-6
IC4361	C-6
IC4362	B-6
IC4441	B-5
IC4451	B-5
IC4471	C-5
IC4751	B-6
IC4752	B-6
IC4781	A-6
IC4901	E-6
IC4902	E-5
IC4911	E-5
IC6001	F-3
IC6002	E-3
IC6003	F-1
IC6004	F-2
IC6005	F-2

Connectors	
FP6001	F-5
FP6002	E-1
PP1101	B-1
PP2591	F-1
PP3201	C-1
PP3801	A-2
PP4201	C-4
JK3531	A-3
JK3532	A-1
JK4501	A-4
JK4502	A-6
JK4771	A-6

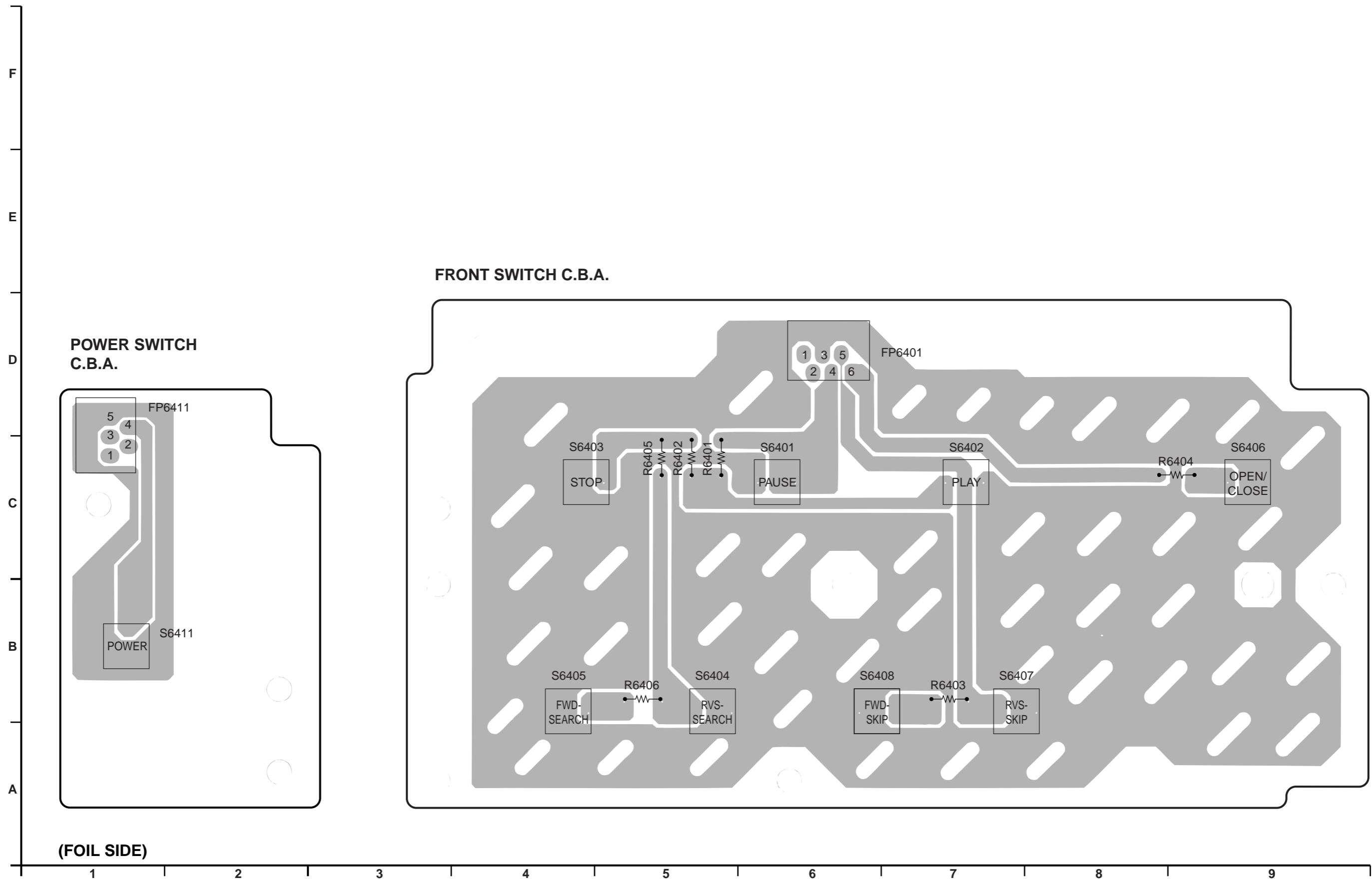
MECHANISM LOADING C.B.A.



(FOIL SIDE)

1 2 3 4 5 6 7

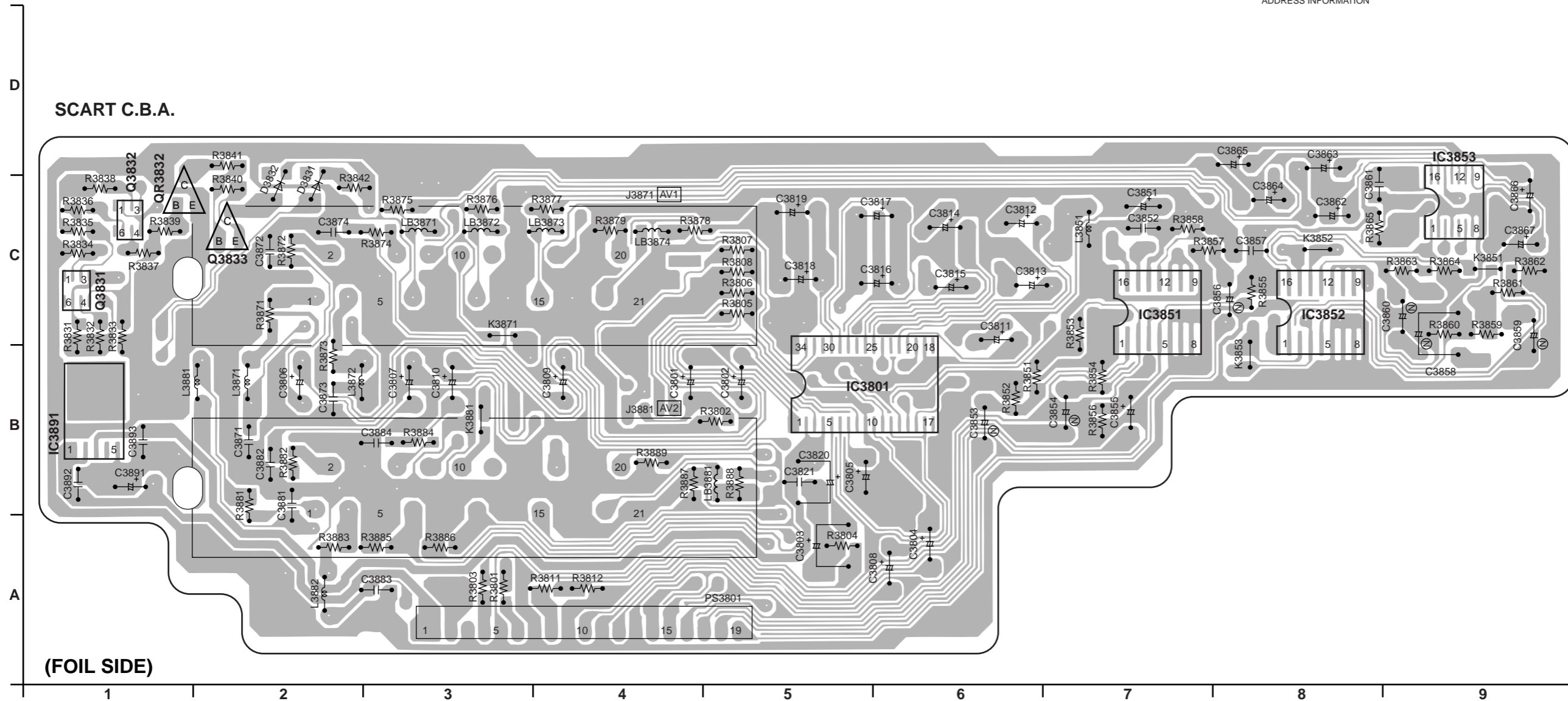
6. FRONT SWITCH AND POWER SWITCH C.B.A.



7. SCART C.B.A. (FOR G, B MODELS)

SCART C.B.A.		
Transistors		
Q3831	φ-1	IC3853 D-9
Q3832	φ-1	IC3891 B-1
Q3833	φ-2	
		Connectors
Transistor-resistors		PS3801 A-5
QR3832	C-1	J3871 C-4
		J3881 B-4
Integrated Circuits		
IC3801	B-5	
IC3851	C-7	
IC3852	C-8	


ADDRESS INFORMATION



SECTION 4 EXPLODED VIEWS & REPLACEMENT PARTS LIST

1. Electrical Replacement Parts List

■ WARNING

Components having special characteristics are marked  and must be replaced with parts having specifications equal to those originally installed.

ABBREVIATIONS IN THIS LIST ARE AS FOLLOWS:

C.A.EL.CHP	: CHIP ALUMI. ELECTROLYTIC CAP	L.EMIT	: LIGHT EMITTING MODULE
C.CE	: CERAMIC CAP	LED.DSPLY	: LED DISPLAY
C.CE.ARRAY	: CERAMIC CAP ARRAY	LED.INFRD	: LED, INFRARED
C.CE.CHP	: CHIP CERAMIC CAP	MODUL.RF	: MODULATOR, RF
C.CE.ML	: MULTILAYER CERAMIC CAP	PHOT.CPL	: PHOTO COUPLER
C.CE.M.CHP	: CHIP MULTILAYER CERAMIC CAP	PHOT.INTR	: PHOTO INTERRUPTER
C.CE.SAFTY	: RECOGNIZED CERAMIC CAP	PHOT.RFLCT	: PHOTO REFLECTOR
C.CE.TUBLR	: CERAMIC TUBULAR CAP	PIN.TEST	: PIN, TEST POINT
C.CE.SMI	: SEMI CONDUCTIVE CERAMIC CAP	PLST.RIVET	: PLASCTIC RIVET
C.EL	: ELECTROLYTIC CAP	R.ARRAY	: RESISTOR ARRAY
C.MICA	: MICA CAP	R.CAT	: CARBON RESISTOR
C.ML.FLM	: MULTILAYER FILM CAP	R.CAR.CHP	: CHIP RESISTOR
C.MP	: METALLIZED PAPER CAP	R.CAR.FP	: FLAME PROOF CARBON RESISTOR
C.MYLAR	: MYLAR FILM CAP	R.FUS	: FUSABLE RESISTOR
C.MYLAR.ML	: MULTILAYER MYLAR FILM CAP	R.MTL.CHP	: CHIP METAL FILM RESISTOR
C.PAPER	: PAPER CAPACITOR	R.MTL.FLM	: METAL FILM RESISTOR
C.PLS	: POLYSTYRENE FILM CAP	R.MTL.OXD	: METAL OXIDE FILM RESISTOR
C.POL	: POLYESTER FILM CAP	R.MTL.PLAT	: METAL PLATE RESISTOR
C.POLY	: POLYETHYLENE FILM CAP	RSNR.CE	: CERAMIC RESONATOR
C.PP	: POLYPROPYLENE FILM CAP	RSNR.CRYS	: CRYSTAL RESONATOR
C.TNTL	: TANTALUM CAP	R.TW.CEM	: TWIN CEMENT FIXED RESISTOR
C.TNTL.CHP	: CHIP TANTALUM CAP	R.WW	: WIRE WOUND RESISTOR
C.TRIM	: TRIMMER CAP	SCR.BND.HD	: BIND HEAD B-TITE SCREW
CN	: CONNECTOR	SCR.BW.HD	: BW HEAD TAPPING SCREW
CN.BS.PIN	: CONNECTOR, BASE PIN	SCR.CUP	: CUP TITE SCREW
CN.CANNON	: CONNECTOR, CANNON	SCR.TERM	: SCREW TERMINAL
CN.DIN	: CONNECTOR, DIN	SCR.TR	: SCREW, TRANSISTOR
CN.FLAT	: CONNECTOR, FLAT CABLE	SUPRT.PCB	: SUPPORT, P.C.B.
CN.POST	: CONNECTOR, BASE POST	SURG.PRTCT	: SURGE PROTECTOR
COIL.MX.AM	: COIL, AM MIX	SW.TACT	: TACT SWITCH
COIL.AT.FM	: COIL, FM ANTENNA	SW.LEAF	: LEAF SWITCH
COIL.DT.FM	: COIL, FM DETECT	SW.LEVER	: LEVER SWITCH
COIL.MX.FM	: COIL, FM MIX	SW.MICRO	: MICRO SWITCH
COIL.OUTPT	: OUTPUT COIL	SW.PUSH	: PUSH SWITCH
DIOD.ARRAY	: DIODE ARRAY	SW.RT.ENC	: ROTARY ENCODER
DIODE.BRG	: DIODE BRIDGE	SW.RT.MTR	: ROTARY SWITCH WITH MOTOR
DIODE.CHP	: CHIP DIODE	SW.RT	: ROTARY SWITCH
DIODE.VAR	: VARACTOR DIODE	SW.SLIDE	: SLIDE SWITCH
DIOD.Z.CHP	: CHIP ZENER DIODE	TERM.SP	: SPEAKER TERMINAL
DIODE.ZENR	: ZENER DIODE	TERM.WRAP	: WRAPPING TERMINAL
DSCR.CE	: CERAMIC DISCRIMINATOR	THRMST.CHP	: CHIP THERMISTOR
FER.BEAD	: FERRITE BEADS	TR.CHP	: CHIP TRANSISTOR
FER.CORE	: FERRITE CORE	TR.DGT	: DIGITAL TRANSISTOR
FET.CHP	: CHIP FET	TR.DGT.CHP	: CHIP DIGITAL TRANSISTOR
FL.DSPLY	: FLUORESCENT DISPLAY	TRANS	: TRANSFORMER
FLTR.CE	: CERAMIC FILTER	TRANS.PULS	: PULSE TRANSFORMER
FLTR.COMB	: COMB FILTER MODULE	TRANS.PWR	: POWER TRANSFORMER ASS'Y
FLTR.LC.RF	: LC FILTER, EMI	TUNER.AM	: TUNER PACK, AM
GND.MTL	: GROUND PLATE	TUNER.FM	: TUNER PACK, FM
GND.TERM	: GROUND TERMINAL	TUNER.PK	: FRONT-END TUNER PACK
HOLDER.FUS	: FUSE HOLDER	VR	: ROTARY POTENTIOMETER
IC.PRTCT	: IC PROTECTOR	VR.MTR	: POTENTIOMETER WITH MOTOR
JUMPER.CN	: JUMPER CONNECTOR	VR.SW	: POTENTIOMETER WITH ROTARY SW
JUMPER.TST	: JUMPER, TEST POINT	VR.SLIDE	: SLIDE POTENTIOMETER
L.DTCT	: LIGHT DETECTING MODULE	VR.TRIM	: TRIMMER POTENTIOMETER

SCHM REF.	PART NO.	DESCRIPTION	REMARKS
*	AAX16300	P.C.B.	MOTHER(U) VEP99144M
*	AAX18150	P.C.B.	MOTHER(GB) VEP99144R
*	AAX18140	P.C.B.	MOTHER(A) VEP99144P
*	AAX18130	P.C.B.	MOTHER(R) VEP99144N
⚠	AAX16260	P.C.B.	POWER SUPPLY(U) VEP91250A
*	AAX18240	P.C.B.	POWER SUPPLY(AGB) VEP91252A
*	AAX18230	P.C.B.	POWER SUPPLY(R) VEP91251A
*	AAX16270	P.C.B.	MODULE(U) VEP96572F
*	AAX18160	P.C.B.	MODULE(GB) VEP96572G
*	AAX18180	P.C.B.	MODULE(A) VEP96572L
*	AAX18170	P.C.B.	MODULE(R) VEP96572H
*	AAX18390	P.C.B.	SCART(GB) VEP93332B
*	AAX16280	P.C.B.	FRONT SWITCH VEP96589A
*	AAX16290	P.C.B.	POWER SWITCH VEP96590A
⚠	C1001	AAX05310	C.POL 0.068uF 250V(UAR) VCF0183M683
⚠	C1001	AAX18420	C.POL 0.01uF 250V(GB) VCF0183M104
⚠	C1002	AAX18420	C.POL 0.01uF 250V(GB) VCF0183M104
⚠	C1002	AAX05310	C.POL 0.068uF 250V VCF0183M683
⚠	C1003	NX702590	C.CE 470pF 250V(GB) VCK0286B471
⚠	C1003	AAX05320	C.CE 1000pF 250V(UAR) VCK0299E102
⚠	C1004	NX702590	C.CE 470pF 250V(GB) VCK0286B471
⚠	C1005	AAX05330	C.CE 2200pF 250V(UAR) VCK0299E222
⚠	C1005	NX702600	C.CE 1000pF 250V(GB) VCK0286E102
	C1013	FX612650	C.EL 68uF 400V(GB) ECCE2GG680
	C1014	NX703920	C.EL 100uF 250V(UAR) ECA2EGE101
	C1021	AAX18400	C.CE 0.01uF 250V(GB) VCK0106K221
	C1021	NX704010	C.CE 470pF 250V(UAR) VCK0266K471
	C1031	NX704000	C.CE 1800pF 250V VCK0266K182
	C1041	NX704190	C.POL 0.022uF 50V ECQB1H223JF
	C1051	FX612840	C.POL 0.1uF 50V ECQB1H104JF
*	C1052	AAX15540	C.POL 0.068uF 50V ECQB1H683JF
	C1053	FX612840	C.POL 0.1uF 50V ECQB1H104JF
*	C1061	AAX16190	C.EL 47uF 6.3V VCEA0JJC470
	C1101	AAX06090	C.POL 0.1uF 50V ECQV1H104JL
	C1102	NX704190	C.POL 0.022uF 50V ECQB1H223JF
*	C1111	AAX16210	C.EL 1000uF 10V VCEA1AJH102
*	C1112	AAX16200	C.EL 1000uF 10V VCEA1AJC102
*	C1115	AAX15530	C.EL 470uF 25V ECFR1E104ZF5
	C1116	AAX05260	C.EL 220uF 10V VCEA1AJC221
	C1117	FX611470	C.EL 1000uF 6.3V(UAR) ECA0JM102
	C1117	AAX18290	C.EL 220uF 10V(GB) ECA1APX221B
	C1121	AAX16210	C.EL 1000uF 10V(GB) VCEA1AJH102
	C1121	FX612720	C.EL 330uF 10V(UAR) VCEA1AJH331
*	C1122	AAX16200	C.EL 1000uF 10V VCEA1AJC102
	C1125	FX611470	C.EL 1000uF 6.3VCH ECA0JM102
	C1131	AAX05300	C.EL 150uF 35V VCEA1VJH151
	C1133	FX612760Q	C.EL 33uF 25V VCEA1EJC330
	C1141	AAX05300	C.EL 150uF 35V VCEA1VJH151
	C1143	FX612760	C.EL 33uF 25V VCEA1EJC330
	C1151	AAX05290	C.EL 270uF 25V VCEA1EJH271
	C1153	FX612750	C.EL 220uF 25V VCEA1EJC221
	C1154	AAX05280	C.EL 220uF 16V VCEA1CJC221
*	C1161	AAX16230	C.EL 56uF 50V VCEA1HJH560

SCHM REF.	PART NO.	DESCRIPTION	REMARKS
*	C1171	AAX16220	C.EL 180uF 10V VCEA1AJH181
	C2001	NX702100	C.EL 100uF 6.3V EEVHB0J101
	C2002	FX612220	C.CE 0.1uF 16V CH ECUX1C104ZFV
	C2003	NX702100	C.EL 100uF 6.3V EEVHB0J101
	C2004	FX612220	C.CE 0.1uF 16V CH ECUX1C104ZFV
	C2005	NX702100	C.EL 100uF 6.3V EEVHB0J101
	C2006	FX612210	C.CE 0.1uF 16V CH ECUX1C104KBV
	C2007	FX612220	C.CE 0.1uF 16V CH ECUX1C104ZFV
	C2012	FX612430	C.CE 330P 50V CH ECUX1H331JCV
	C2013	FX612350	C.CE 120pF 50V CH ECUX1H121JCV
	C2014	FX612350	C.CE 120pF 50V CH ECUX1H121JCV
	C2015	FX612350	C.CE 120pF 50V CH ECUX1H121JCV
	C2016	NX702500	C.CE 10pF 50V CH ECUX1H101JCV
	C2017	NX702500	C.CE 10pF 50V CH ECUX1H101JCV
	C2018	FG212390	C.CE 390pF 50V ECUX1H391JCV
	C2019	FG212390	C.CE 390pF 50V ECUX1H391JCV
	C2020	FX612220	C.CE 0.1uF 16V CH ECUX1C104ZFV
	C2021	FX612210	C.CE 0.1uF 16V CH ECUX1C104KBV
	C2022	FX612210	C.CE 0.1uF 16V CH ECUX1C104KBV
	C2023	NX702560	C.CE 6800pF 50V CH ECUX1H682KBV
	C2024	FX612480	C.CE 680pF 50V CH ECUX1H681JCV
	C2025	FX612220	C.CE 0.1uF 16V CH ECUX1C104ZFV
	C2026	FX612220	C.CE 0.1uF 16V CH ECUX1C104ZFV
	C2028	FX612220	C.CE 0.1uF 16V CH ECUX1C104ZFV
	C2029	FX612440	C.CE 47pF 50V CH ECUX1H470JCV
	C2030	FX612240	C.CE 0.018uF 16V CH ECUX1C183KBV
	C2031	NX702510	C.CE 1000pF 50V CH ECUX1H102JCV
	C2032	FX612220	C.CE 0.1uF 16V CH ECUX1C104ZFV
	C2033	FX612040	C.CE 0.47uF 16V CH ECUM1C474KBN
	C2034	Fi544100	C.CE 0.01uF 16V ECUX1C103KBV
	C2037	FX612220	C.CE 0.1uF 16V CH ECUX1C104ZFV
*	C2038	AAX15610	C.CE 0.047uF 16V ECUX1C473KBV
	C2039	AAX05620	C.CE 0.039uF 16V CH ECUX1C393KBV
*	C2040	AAX15620	C.CE 8200pF 50V ECUX1H822KBV
	C2041	FX612220	C.CE 0.1uF 16V CH ECUX1C104ZFV
	C2042	FX612210	C.CE 0.1uF 16V CH ECUX1C104KBV
*	C2043	AAX15610	C.CE 0.047uF 16V ECUX1C473KBV
	C2044	FX612210	C.CE 0.1uF 16V CH ECUX1C104KBV
	C2045	FX612220	C.CE 0.1uF 16V CH ECUX1C104ZFV
	C2046	FX612220	C.CE 0.1uF 16V CH ECUX1C104ZFV
	C2047	FX612220	C.CE 0.1uF 16V CH ECUX1C104ZFV
	C2048	FX612220	C.CE 0.1uF 16V CH ECUX1C104ZFV
	C2051	FX612220	C.CE 0.1uF 16V CH ECUX1C104ZFV
*	C2500	AAX15520	C.EL 100uF 16V ECEV1CA101W
	C2501	NX702100	C.EL 100uF 6.3V EEVHB0J101
	C2502	FX611790	C.EL 330uF 6.3V CH ECEV0JA331
	C2503	FX612310	C.CE 0.01uF 50V CH ECUX1H103KBV
	C2504	FX612310	C.CE 0.01uF 50V CH ECUX1H103KBV
	C2505	FX612310	C.CE 0.01uF 50V CH ECUX1H103KBV
	C2506	FX612220	C.CE 0.1uF 16V CH ECUX1C104ZFV
	C2507	FX612210	C.CE 0.1uF 16V CH ECUX1C104KBV
	C2508	FX612210	C.CE 0.1uF 16V CH ECUX1C104KBV
	C2509	FX612220	C.CE 0.1uF 16V CH ECUX1C104ZFV

*New Parts

SCHM REF.	PART NO.	DESCRIPTION		REMARKS
C2513	FX612220	C.CE	0.1uF 16V CH	ECUX1C104ZJV
C2514	FX612220	C.CE	0.1uF 16V CH	ECUX1C104ZJV
C2515	FX612220	C.CE	0.1uF 16V CH	ECUX1C104ZJV
C2516	FX612220	C.CE	0.1uF 16V CH	ECUX1C104ZJV
C2517	FX612220	C.CE	0.1uF 16V CH	ECUX1C104ZJV
C2518	FX612220	C.CE	0.1uF 16V CH	ECUX1C104ZJV
C2521	FX612220	C.CE	0.1uF 16V CH	ECUX1C104ZJV
C2522	FX612220	C.CE	0.1uF 16V CH	ECUX1C104ZJV
C2523	FX612220	C.CE	0.1uF 16V CH	ECUX1C104ZJV
C2524	FX612220	C.CE	0.1uF 16V CH	ECUX1C104ZJV
C2525	FX612220	C.CE	0.1uF 16V CH	ECUX1C104ZJV
C2591	NX702030	C.EL	100uF 16V	ECEA1CKA101
C2592	FX612090	C.CE	0.1uF 50V CH	ECUM1H104ZFN
C3001	FX611790	C.EL	330uF 6.3V CH	ECEV0JA331
C3002	FX611790	C.EL	330uF 6.3V CH	ECEV0JA331
C3003	FX611790	C.EL	330uF 6.3V CH	ECEV0JA331
* C3004	AA15600	C.CE	1.0uF 10V	ECUX1A105ZJV
C3005	FX612220	C.CE	0.1uF 16V CH	ECUX1C104ZJV
C3006	FX612220	C.CE	0.1uF 16V CH	ECUX1C104ZJV
* C3007	AA15600	C.CE	1.0uF 10V	ECUX1A105ZJV
* C3008	AA15600	C.CE	1.0uF 10V	ECUX1A105ZJV
C3009	FX612220	C.CE	0.1uF 16V CH	ECUX1C104ZJV
C3010	FX612220	C.CE	0.1uF 16V CH	ECUX1C104ZJV
C3011	FX612220	C.CE	0.1uF 16V CH	ECUX1C104ZJV
* C3012	AA15600	C.CE	1.0uF 10V	ECUX1A105ZJV
* C3012	AA15600	C.CE	1.0uF 10V	ECUX1A105ZJV
C3014	FX612220	C.CE	0.1uF 16V CH	ECUX1C104ZJV
C3015	FX612220	C.CE	0.1uF 16V CH	ECUX1C104ZJV
* C3016	AA15600	C.CE	1.0uF 10V	ECUX1A105ZJV
C3017	FX612220	C.CE	0.1uF 16V CH	ECUX1C104ZJV
C3018	FX612220	C.CE	0.1uF 16V CH	ECUX1C104ZJV
* C3019	AA15600	C.CE	1.0uF 10V	ECUX1A105ZJV
* C3020	AA15600	C.CE	1.0uF 10V	ECUX1A105ZJV
C3021	FX612220	C.CE	0.1uF 16V CH	ECUX1C104ZJV
C3022	FX612220	C.CE	0.1uF 16V CH	ECUX1C104ZJV
* C3024	AA15600	C.CE	1.0uF 10V	ECUX1A105ZJV
C3025	FX612220	C.CE	0.1uF 16V CH	ECUX1C104ZJV
* C3026	AA15600	C.CE	1.0uF 10V	ECUX1A105ZJV
C3027	FX612220	C.CE	0.1uF 16V CH	ECUX1C104ZJV
C3028	FX612220	C.CE	0.1uF 16V CH	ECUX1C104ZJV
C3029	FX612220	C.CE	0.1uF 16V CH	ECUX1C104ZJV
* C3030	AA15600	C.CE	1.0uF 10V	ECUX1A105ZJV
C3031	FX612220	C.CE	0.1uF 16V CH	ECUX1C104ZJV
C3032	FX612220	C.CE	0.1uF 16V CH	ECUX1C104ZJV
C3033	FX612220	C.CE	0.1uF 16V CH	ECUX1C104ZJV
C3033	FX612220	C.CE	0.1uF 16V CH	ECUX1C104ZJV
C3034	FX612220	C.CE	0.1uF 16V CH	ECUX1C104ZJV
C3035	FX612220	C.CE	0.1uF 16V CH	ECUX1C104ZJV
C3036	FX612380	C.CE	22pF 50V CH	ECUX1H220JCV
C3042	FX612220	C.CE	0.1uF 16V CH	ECUX1C104ZJV
C3043	FX612220	C.CE	0.1uF 16V CH	ECUX1C104ZJV
C3045	FX612220	C.CE	0.1uF 16V CH	ECUX1C104ZJV
* C3046	AA15550	C.TNTL.CHP	10uF 6.3V	ECST0JY106Z

SCHM REF.	PART NO.	DESCRIPTION		REMARKS
C3051	FX611790	C.EL	330uF 6.3VCH	ECEV0JA331
C3052	FX611980	C.CE	1uF 10V CH	ECUM1A105KBN
C3053	FX611980	C.CE	1uF 10V CH	ECUM1A105KBN
C3054	FX611980	C.CE	1uF 10V CH	ECUM1A105KBN
C3055	FX611980	C.CE	1uF 10V CH	ECUM1A105KBN
C3056	FX612220	C.CE	0.1uF 16V CH	ECUX1C104ZJV
C3057	FX612220	C.CE	0.1uF 16V CH	ECUX1C104ZJV
C3058	FX612220	C.CE	0.1uF 16V CH	ECUX1C104ZJV
C3059	FX612220	C.CE	0.1uF 16V CH	ECUX1C104ZJV
C3060	FX612220	C.CE	0.1uF 16V CH	ECUX1C104ZJV
C3061	FX612220	C.CE	0.1uF 16V CH	ECUX1C104ZJV
C3062	FX612220	C.CE	0.1uF 16V CH	ECUX1C104ZJV
C3063	FX612220	C.CE	0.1uF 16V CH	ECUX1C104ZJV
C3064	FX612220	C.CE	0.1uF 16V CH	ECUX1C104ZJV
* C3065	AA16240	C.TNTL.CHP	10uF 10V	VCS1AS106
C3066	FX612220	C.CE	0.1uF 16V CH	ECUX1C104ZJV
C3071	FX612220	C.CE	0.1uF 16V(GB)	ECUX1C104ZJV
C3072	FX612220	C.CE	0.1uF 16V(GB)	ECUX1C104ZJV
C3073	FX612220	C.CE	0.1uF 16V(GB)	ECUX1C104ZJV
C3074	FX612220	C.CE	0.1uF 16V(GB)	ECUX1C104ZJV
C3075	AA16240	C.TNTL.CHP	10uF 10V(GB)	VCS1AS106
C3076	FX612220	C.CE	0.1uF 16V(GB)	ECUX1C104ZJV
C3081	FX612220	C.CE	0.1uF 16V CH	ECUX1C104ZJV
C3082	FX612220	C.CE	0.1uF 16V CH	ECUX1C104ZJV
C3083	FX612220	C.CE	0.1uF 16V CH	ECUX1C104ZJV
C3084	FX612220	C.CE	0.1uF 16V CH	ECUX1C104ZJV
C3085	FX612220	C.CE	0.1uF 16V CH	ECUX1C104ZJV
C3091	NX702100	C.EL	100uF 6.3V	EEVH0J101
C3092	NX702100	C.EL	100uF 6.3V	EEVH0J101
C3093	FX612220	C.CE	0.1uF 16V CH	ECUX1C104ZJV
* C3094	AA16240	C.TNTL.CHP	10uF 10V	VCS1AS106
C3095	FX612220	C.CE	0.1uF 16V CH	ECUX1C104ZJV
C3221	FX612220	C.CE	0.1uF 16V CH	ECUX1C104ZJV
C3222	FX612220	C.CE	0.1uF 16V CH	ECUX1C104ZJV
C3223	FX612220	C.CE	0.1uF 16V CH	ECUX1C104ZJV
C3224	FX612220	C.CE	0.1uF 16V CH	ECUX1C104ZJV
C3225	FX612220	C.CE	0.1uF 16V CH	ECUX1C104ZJV
C3226	FX612220	C.CE	0.1uF 16V CH	ECUX1C104ZJV
C3227	FX612220	C.CE	0.1uF 16V CH	ECUX1C104ZJV
C3228	FX612220	C.CE	0.1uF 16V CH	ECUX1C104ZJV
C3229	FX612220	C.CE	0.1uF 16V CH	ECUX1C104ZJV
C3230	FX612220	C.CE	0.1uF 16V CH	ECUX1C104ZJV
C3231	FX612220	C.CE	0.1uF 16V CH	ECUX1C104ZJV
C3500	FX611490	C.EL	470uF 6.3V	ECA0JM471
C3501	FX611480	C.EL	220uF 6.3V	ECA0JM221
C3502	FX612080	C.CE	0.01uF 50V CH	ECUM1H103ZFN
* C3503	AA15590	C.CE	470pF 50V	ECUM1H471KBN
C3504	FX612070	C.CE	0.01uF 50V CH	ECUM1H103KBN
C3505	NX702060	C.EL	47uF 16V(UAR)	ECEA1CKA470
C3506	NX702060	C.EL	47uF 16V(UAR)	ECEA1CKA470
C3507	FX612080	C.CE	0.01uF 50V CH	ECUM1H103ZFN
C3508	FX611490	C.EL	470uF 6.3V	CA0JM471
C3509	FX611490	C.EL	470uF 6.3V	ECA0JM471

*New Parts

SCHM REF.	PART NO.	DESCRIPTION		REMARKS
C3511	FX611470	C.EL	1000uF 6.3VCH	ECA0JM102
C3512	FX611470	C.EL	1000uF 6.3VCH	ECA0JM102
C3513	NX702030	C.EL	100uF 16V(UAR)	ECEA1CKA101
C3514	NX702030	C.EL	100uF 16V(UAR)	ECEA1CKA101
C3515	FX612080	C.CE	0.01uF 50V CH	ECUM1H103ZFN
C3536	FX612070	C.CE	0.01uF 50V CH	ECUM1H103KBN
C3551	FX612080	C.CE	0.01uF 50V CH	ECUM1H103ZFN
C3552	FX612080	C.CE	0.01uF 50V CH	ECUM1H103ZFN
C3801	AAX18340	C.EL	47uF 16V(GB)	RCE1CKA470BG
C3802	AAX18340	C.EL	47uF 16V(GB)	RCE1CKA470BG
C3803	AAX18340	C.EL	47uF 16V(GB)	RCE1CKA470BG
C3804	AAX18330	C.EL	1uF 50V(GB)	ECEA1HKS010
C3805	AAX18320	C.EL	22uF 16V(GB)	ECEA1CKS220
C3806	AAX18330	C.EL	1uF 50V(GB)	ECEA1HKS010
C3807	AAX18330	C.EL	1uF 50V(GB)	ECEA1HKS010
C3808	AAX18330	C.EL	1uF 50V(GB)	ECEA1HKS010
C3809	AAX18330	C.EL	1uF 50V(GB)	ECEA1HKS010
C3810	AAX18330	C.EL	1uF 50V(GB)	ECEA1HKS010
C3811	FX611600	C.EL	220uF 6.3V(GB)	ECEA1AKS221
C3812	FX611600	C.EL	220uF 6.3V(GB)	ECEA1AKS221
C3813	FX611600	C.EL	220uF 6.3V(GB)	ECEA1AKS221
C3814	FX611600	C.EL	220uF 6.3V(GB)	ECEA1AKS221
C3815	AAX18340	C.EL	47uF 16V(GB)	RCE1CKA470BG
C3816	AAX18300	C.EL	330uF 6.3V(GB)	ECEA0JKS331
C3817	FX611600	C.EL	220uF 10V(GB)	ECEA1AKS221
C3818	AAX18300	C.EL	330uF 6.3V(GB)	ECEA0JKS331
C3819	AAX18300	C.EL	330uF 6.3V(GB)	ECEA0JKS331
C3820	AAX18310	C.EL	100uF 16V(GB)	ECEA1CKS101
C3821	FX612090	C.CE	0.1uF 50V(GB)	ECUM1H104ZFN
C3851	FX611600	C.EL	220uF 6.3V(GB)	ECEA1AKS221
C3852	FX612090	C.CE	0.1uF 50V(GB)	ECUM1H104ZFN
C3854	AAX05190	C.EL	47uF 6.3V(GB)	ECEA1AKN470
C3861	FX612090	C.CE	0.1uF 50V(GB)	ECUM1H104ZFN
C3862	FX611590	C.EL	100uF 6.3V(GB)	ECEA0JKS101
C3863	AAX18320	C.EL	22uF 16V(GB)	ECEA1CKS220
C3864	FX611590	C.EL	100uF 6.3V(GB)	ECEA0JKS101
C3865	AAX18320	C.EL	22uF 16V(GB)	ECEA1CKS220
C3866	FX611590	C.EL	100uF 6.3V(GB)	ECEA0JKS101
C3867	AAX18320	C.EL	22uF 16V(GB)	ECEA1CKS220
C3871	FX612050	C.CE	100pF 50V(GB)	ECUM1H101JCN
C3872	AAX05590	C.CE	470pF 50V(GB)	ECUM1H471JCN
C3873	FX612050	C.CE	100pF 50V(GB)	ECUM1H101JCN
C3874	AAX05590	C.CE	470pF 50V(GB)	ECUM1H471JCN
C3882	AAX05590	C.CE	470pF 50V(GB)	ECUM1H471JCN
C3884	AAX05590	C.CE	470pF 50V(GB)	ECUM1H471JCN
C3891	AAX18310	C.EL	100uF 16V(GB)	ECEA1CKS101
C3892	FX612090	C.CE	0.1uF 50V(GB)	ECUM1H104ZFN
C3893	FX612090	C.CE	0.1uF 50V(GB)	ECUM1H104ZFN
C4201	FX612660	C.EL	1000uF 6.3V	ECEV0JA102
C4202	FX612220	C.CE	0.1uF 16V CH	ECUX1C104ZFV
C4203	FX612220	C.CE	0.1uF 16V CH	ECUX1C104ZFV
* C4204	AAX16240	C.TNTL.CHP	10uF 10V	VCS1AS106
C4205	FX612220	C.CE	0.1uF 16V CH	ECUX1C104ZFV

SCHM REF.	PART NO.	DESCRIPTION		REMARKS
* C4206	AAX16240	C.TNTL.CHP	10uF 10V	VCS1AS106
C4207	FX612220	C.CE	0.1uF 16V CH	ECUX1C104ZFV
C4208	FX612220	C.CE	0.1uF 16V CH	ECUX1C104ZFV
C4209	FX612220	C.CE	0.1uF 16V CH	ECUX1C104ZFV
C4221	FX612220	C.CE	0.1uF 16V CH	ECUX1C104ZFV
C4222	FX612220	C.CE	0.1uF 16V CH	ECUX1C104ZFV
C4223	FX612220	C.CE	0.1uF 16V CH	ECUX1C104ZFV
C4224	FX612220	C.CE	0.1uF 16V CH	ECUX1C104ZFV
C4225	FX612220	C.CE	0.1uF 16V CH	ECUX1C104ZFV
C4320	FX612060	C.CE	1000pF 50V CH	ECUM1H102JCN
* C4321	AAX15510	C.EL	22uF 16V	ECA1CAK220X
C4324	FX612050	C.CE	100pF 50V CH	ECUM1H101JCN
C4325	FX611550	C.EL	47uF 16V	ECA1CAK470X
C4328	FX612090	C.CE	0.1uF 50V CH	ECUM1H104ZFN
C4329	FX612090	C.CE	0.1uF 50V CH	ECUM1H104ZFN
C4330	FX612060	C.CE	1000pF 50V CH	ECUM1H102JCN
* C4331	AAX15510	C.EL	22uF 16V	ECA1CAK220X
C4334	FX612050	C.CE	100pF 50V CH	ECUM1H101JCN
C4335	FX611550	C.EL	47uF 16V	ECA1CAK470X
C4385	FX611550	C.EL	47uF 16V	ECA1CAK470X
* C4471	AAX15580	C.CE	0.033uF 50V	ECUM1H333KBN
C4472	FX612090	C.CE	0.1uF 50V CH	ECUM1H104ZFN
C4473	FX612090	C.CE	0.1uF 50V CH	ECUM1H104ZFN
* C4475	AAX15570	C.CE	0.1uF 50V	ECUM1H104KBN
C4476	FX612070	C.CE	0.01uF 50V CH	ECUM1H103KBN
C4501	FX612060	C.CE	1000pF 50V CH	ECUM1H102JCN
C4511	FX612060	C.CE	1000pF 50V CH	ECUM1H102JCN
C4531	FX612060	C.CE	1000pF 50V CH	ECUM1H102JCN
C4581	FX612090	C.CE	0.1uF 50V CH	ECUM1H104ZFN
C4582	FX612090	C.CE	0.1uF 50V CH	ECUM1H104ZFN
C4586	FX612090	C.CE	0.1uF 50V CH	ECUM1H104ZFN
C4592	FX612090	C.CE	0.1uF 50V CH	ECUM1H104ZFN
C4781	FX611740	C.EL	4.7uF 50V	ECEA1HKA4R7
C4782	FX612090	C.CE	0.1uF 50V CH	ECUM1H104ZFN
C4902	FX611530	C.EL	100uF 16V	ECA1CAK101X
C4913	FX611530	C.EL	100uF 16V	ECA1CAK101X
C5201	FX611880	C.EL	33uF 6.3V	EEVHB0J330
C5202	FX612220	C.CE	0.1uF 16V CH	ECUX1C104ZFV
C5203	FX612220	C.CE	0.1uF 16V CH	ECUX1C104ZFV
C5204	FX611880	C.EL	33uF 6.3V	EEVHB0J330
C5205	FX612220	C.CE	0.1uF 16V CH	ECUX1C104ZFV
C5211	AAX05250	C.EL	47uF 6.3V	EEVHB0J470
C5212	FX612390	C.CE	220pF 50V CH	ECUX1H221JCV
C5213	FX612210	C.CE	0.1uF 16V CH	ECUX1C104KBV
C5214	FX612220	C.CE	0.1uF 16V CH	ECUX1C104ZFV
C5215	FX612220	C.CE	0.1uF 16V CH	ECUX1C104ZFV
C5216	NX702510	C.CE	1000pF 50V CH	ECUX1H102JCV
C5217	FX612210	C.CE	0.1uF 16V CH	ECUX1C104KBV
C5218	AAX05640	C.CE	18pF 50V CH	ECUX1H180JCV
C5219	NX702540	C.CE	1800pF 50V CH	ECUX1H182KBV
C5220	NX702500	C.CE	10pF 50V CH	ECUX1H101JCV
C5221	FX611800	C.EL	39pF 50V CH	ECUX1H390JCV
* C5222	AAX15560	C.CE	0.47uF 10V	ECUM1A474KBV

*New Parts

SCHM REF.	PART NO.	DESCRIPTION		REMARKS
* C5223	AA15560	C.CE	0.47uF 10V	ECUM1A474KBV
C5224	FX612390	C.CE	220pF 50V CH	ECUX1H221JCV
C5225	FX612390	C.CE	220pF 50V CH	ECUX1H221JCV
C5226	FX612210	C.CE	0.1uF 16V CH	ECUX1C104KBV
C5227	FX612220	C.CE	0.1uF 16V CH	ECUX1C104ZJV
C5232	FX612220	C.CE	0.1uF 16V CH	ECUX1C104ZJV
* C5233	AA16240	C.TNTL.CHP	10uF 10V	VCS1AS106
C5234	FX612220	C.CE	0.1uF 16V CH	ECUX1C104ZJV
C5241	FX612220	C.CE	0.1uF 16V CH	ECUX1C104ZJV
C5242	FX612220	C.CE	0.1uF 16V CH	ECUX1C104ZJV
C6001	FX611600	C.EL	220uF 6.3V	ECEA0JKA221
C6002	FX612090	C.CE	0.1uF 50V CH	ECUM1H104ZFN
C6003	FX611720	C.EL	10uF 50V	ECEA1HKA100
C6004	FX612090	C.CE	0.1uF 50V CH	ECUM1H104ZFN
C6005	FX611610	C.EL	47uF 6.3V	ECEA0JKA470
C6007	FX612090	C.CE	0.1uF 50V CH	ECUM1H104ZFN
C6008	FX612080	C.CE	0.01uF 50V CH	ECUM1H103ZFN
C6009	FX612080	C.CE	0.01uF 50V CH	ECUM1H103ZFN
C6010	FX612080	C.CE	0.01uF 50V CH	ECUM1H103ZFN
C6011	FX612080	C.CE	0.01uF 50V CH	ECUM1H103ZFN
C6012	FX612090	C.CE	0.1uF 50V CH	ECUM1H104ZFN
C6013	FX612090	C.CE	0.1uF 50V CH	ECUM1H104ZFN
C6201	FX611880	C.EL	33uF 6.3V	EEVHB0J330
C6202	FX612220	C.CE	0.1uF 16V CH	ECUX1C104ZJV
C6203	FX612220	C.CE	0.1uF 16V CH	ECUX1C104ZJV
C6204	FX612220	C.CE	0.1uF 16V CH	ECUX1C104ZJV
C6206	FX612220	C.CE	0.1uF 16V CH	ECUX1C104ZJV
C6207	FX612220	C.CE	0.1uF 16V CH	ECUX1C104ZJV
C6208	FX612220	C.CE	0.1uF 16V CH	ECUX1C104ZJV
C6211	FX612220	C.CE	0.1uF 16V CH	ECUX1C104ZJV
C6212	FX612220	C.CE	0.1uF 16V CH	ECUX1C104ZJV
C6251	NX702100	C.EL	100uF 6.3V	EEVHB0J101
* C6252	AA16240	C.TNTL.CHP	10uF 10V	VCS1AS106
C6253	FX612220	C.CE	0.1uF 16V CH	ECUX1C104ZJV
C6254	FX612220	C.CE	0.1uF 16V CH	ECUX1C104ZJV
C6255	FX611880	C.EL	33uF 6.3V	EEVHB0J330
C6256	FX611790	C.EL	330uF 6.3V CH	ECEV0JA331
C6257	NX702100	C.EL	100uF 6.3V	EEVHB0J101
C6258	FX612310	C.CE	0.01uF 50V CH	ECUX1H103KBV
C6301	NX702500	C.CE	10pF 50V CH	ECUX1H101JCV
C6302	FX612210	C.CE	0.1uF 16V CH	ECUX1C104KBV
C6303	FX612220	C.CE	0.1uF 16V CH	ECUX1C104ZJV
C6304	FX612220	C.CE	0.1uF 16V CH	ECUX1C104ZJV
C6305	FX612220	C.CE	0.1uF 16V CH	ECUX1C104ZJV
C6501	FX611880	C.EL	33uF 6.3V	EEVHB0J330
C6502	FX612220	C.CE	0.1uF 16V CH	ECUX1C104ZJV
C6503	FX612220	C.CE	0.1uF 16V CH	ECUX1C104ZJV
* C6504	AA16240	C.TNTL.CHP	10uF 10V	VCS1AS106
C6505	FX612220	C.CE	0.1uF 16V CH	ECUX1C104ZJV
C6506	FX612220	C.CE	0.1uF 16V CH	ECUX1C104ZJV
C6511	FX612220	C.CE	0.1uF 16V CH	ECUX1C104ZJV
C6512	FX612220	C.CE	0.1uF 16V CH	ECUX1C104ZJV
C6513	FX612220	C.CE	0.1uF 16V CH	ECUX1C104ZJV

*New Parts

SCHM REF.	PART NO.	DESCRIPTION		REMARKS
C6514	NX702530	C.CE	15pF 50V CH	ECUX1H150JCV
C6515	NX702530	C.CE	15pF 50V CH	ECUX1H150JCV
C6516	FX612220	C.CE	0.1uF 16V CH	ECUX1C104ZJV
C6517	FX612220	C.CE	0.1uF 16V CH	ECUX1C104ZJV
C6551	FX612220	C.CE	0.1uF 16V CH	ECUX1C104ZJV
* C6553	AA16250	C.TNTL.CHP	4.7uF 10V	VCS1AS475
C7001	NX702100	C.EL	100uF 6.3V	EEVHB0J101
C7002	NX702100	C.EL	100uF 6.3V	EEVHB0J101
C7006	FX612220	C.CE	0.1uF 16V CH	ECUX1C104ZJV
C7011	FX612220	C.CE	0.1uF 16V CH	ECUX1C104ZJV
C7012	FX612220	C.CE	0.1uF 16V CH	ECUX1C104ZJV
C7013	FX612220	C.CE	0.1uF 16V CH	ECUX1C104ZJV
C7014	FX612220	C.CE	0.1uF 16V CH	ECUX1C104ZJV
C7015	FX612220	C.CE	0.1uF 16V CH	ECUX1C104ZJV
C7016	FX612220	C.CE	0.1uF 16V CH	ECUX1C104ZJV
C7017	FX612220	C.CE	0.1uF 16V CH	ECUX1C104ZJV
C7018	FX612220	C.CE	0.1uF 16V CH	ECUX1C104ZJV
C7019	FX612220	C.CE	0.1uF 16V CH	ECUX1C104ZJV
C7020	FX612220	C.CE	0.1uF 16V CH	ECUX1C104ZJV
C7021	FX612220	C.CE	0.1uF 16V CH	ECUX1C104ZJV
C7022	FX612220	C.CE	0.1uF 16V CH	ECUX1C104ZJV
C7023	FX612220	C.CE	0.1uF 16V CH	ECUX1C104ZJV
C7024	FX612220	C.CE	0.1uF 16V CH	ECUX1C104ZJV
C7025	FX612220	C.CE	0.1uF 16V CH	ECUX1C104ZJV
C7026	FX612220	C.CE	0.1uF 16V CH	ECUX1C104ZJV
D1001	NX703870	MODUL.RF	ENC471D5ATUB(UAR)	ENC471D5ATUB
⚠ D1002	NX703860	SURG.PRTCT	ENC221D5ATRB	ENC221D5ATRB
⚠ D1011	AA04220	DIODE	S1WBA80	S1WBA80
D1031	NX704060	DIODE	VSD0002(UAR)	VSD0002
D1031	ix637340	DIODE	AP01C(GB)	AP01C
D1041	ix636960	DIODE	AU01Z	AU01Z
D1051	ix634180	DIODE	1SS254	1SS254
D1052	ix634180	DIODE	1SS254	1SS254
* D1053	AA16010	DIODE	MA4036M	MA4036M
* D1111	AA15440	DIODE	21DQ04	21DQ04
* D1121	AA15440	DIODE	21DQ04	21DQ04
D1126	NX702620	DIODE	11ES1	11ES1
D1131	ix634150	DIODE.SHOT	11EQS06	11EQS06
D1132	NX704030	DIODE	MA7150B	MA7150B
D1141	ix634150	DIODE.SHOT	11EQS06	11EQS06
D1151	ix634150	DIODE.SHOT	11EQS06	11EQS06
D1152	ix634150	DIODE.SHOT	1EQS06	11EQS06
D1161	ix636960	DIODE	AU01Z	AU01Z
* D1162	AA16000	DIODE	MA4030	MA4030
D1171	ix636950	DIODE	AK04	AK04
D3091	NX702630	DIODE	MA111	MA111
D3831	AA18410	DIODE	MA152ATX(GB)	MA152ATX
D4596	NX702660	DIODE	MA3047M	MA3047M
D6013	AA04970	IC	LN28RCPL(GB)	LN28RCPL
* D6014	AA15990	DIODE	LN38GCPL	LN38GCPL
D6251	NX702630	DIODE	MA111	MA111
D6301	NX702680	DIODE	MA728	MA728
* DL6001	AA16520	DISPLAY.TU	VSL0537	VSL0537

⚠
⚠

SCHM REF.	PART NO.	DESCRIPTION	REMARKS
DZ1001	NX703990	SURG.PRTCT	2.7KV VSQ1003
F1001	AAX05900	FUSE	1.6A 250V VSF0248C16
* FL6251	AAX16450	CONNECTOR	VLF1491S105 VLF1491S105
* FL6252	AAX16450	CONNECTOR	VLF1491S105 VLF1491S105
* FL6254	AAX16450	CONNECTOR	VLF1491S105 VLF1491S105
* FL6255	AAX16440	CONNECTOR	VLF1491S104 VLF1491S104
* FP2501	AAX16430	CONNECTOR	17P VJS4383B017B
FP5201	AAX03990	CN	21P VJS3913A021
FP6001	AAX05430	CN	6P VJS3537A006G
* FP6002	AAX16380	CONNECTOR	5P VJS3537A005G
FP6401	AAX05450	CN	6P VJS3537B006G
FP6401	AAX05450	CN	6P(GB) VJS3537B006G
* FP6411	AAX16390	CONNECTOR	5P VJS3537B005G
IC1101	AAX03700	IC	uPC1093J UPC1093J
* IC1125	AAX16100	IC	PQ07RX11 PQ07RX11
IC1151	AAX05030	IC	SI3090FLF11 SI3090FLF11
* IC2001	AAX16050	IC	MN67706EA MN67706EA
* IC2501	AAX15460	IC	AN8480NSB AN8480NSB
IC2511	AAX03430	IC	BA5983FM BA5983FM
* IC2591	AAX15490	IC	BA6956AN BA6956AN
* IC3001	AAX16060	IC	MN677532JA MN677532JA
* IC3002	AAX16090	IC	PQ018EZ01ZP PQ018EZ01ZP
IC3061	AAX03520	IC	MXN7160BT1 MXN7160BT1
IC3071	AAX03520	IC	MXN7160BT1(GB) MXN7160BT1
* IC3081	AAX16130	IC	TC4W66FU TC4W66FU
IC3091	NX701770	IC	PQ1R33 PQ1R33
* IC3511	AAX16020	IC	ML6427 ML6427
IC3801	AAX18250	IC	MM1443XJ(GB) MM1443XJ
IC3851	AAX04980	IC	MC14053BF(GB) MC14053BF
IC3853	NX703690	IC	BA7660FS(GB) BA7660FS
IC3891	AAX18270	IC	PQ12DZ51(GB) PQ12DZ51
* IC4201	AAX16080	IC	PCM1746E PCM1746E
IC4321	ix636760	IC	NJM4580M NJM4580M
* IC4471	AAX16070	IC	NJM4558M NJM4558M
* IC4781	AAX15980	IC	GP1FA550TZ GP1FA550TZ
* IC4902	AAX16170	IC	UPC78L08J UPC78L08J
* IC4911	AAX16180	IC	UPC79L08J UPC79L08J
* IC5201	AAX15470	IC	AN8707FH AN8707FH
IC6001	AAX18260	IC	MN101C35DCC(GB) MN101C35DCC
* IC6001	AAX16030	IC	MN101C35DCA(UAR) MN101C35DCA
* IC6002	AAX16120	IC	PST9327UR PST9327UR
IC6003	AAX05950	PHOT.SNS	PNA4611M02VT PNA4611M02VT
* IC6004	AAX16140	IC	TC7ST08F TC7ST08F
* IC6005	AAX16140	IC	TC7ST08F TC7ST08F
* IC6201	AAX16040	IC	MN102H55GFB MN102H55GFB
IC6251	NX701770	IC	PQ1R33 PQ1R33
IC6301	AAX03570	IC	PST596JNR PST596JNR
* IC6302	AAX16530	IC	VUB8011C430(UAR) VUB8011C430
IC6302	AAX18280	IC	VUB8011C492(GB) VUB8011C492
* IC6303	AAX15480	IC	AT25020NSI27 AT25020NSI27
* IC6501	AAX15500	IC	BU2285FV BU2285FV
* IC6551	AAX16150	IC	TK71533SCL TK71533SCL
* IC7001	AAX16670	IC	MN103S13BGA MN103S13BGA

*New Parts

⚠

SCHM REF.	PART NO.	DESCRIPTION	REMARKS
* J3871	AAX05470	CN	21P(GB) VJS3921
* JK3531	AAX16310	CONNECTOR	VJJ0544
* JK3532	AAX16320	JACK.PIN	3P(UAR) VJJ0598
* JK4501	AAX16330	JACK.RCA	4P VJJ0690
K2002	HX609880	R.MTL.CHP	0Ω 1/16W ERJ3GEY0R00
K3001	HX609880	R.MTL.CHP	0Ω 1/16W ERJ3GEY0R00
K3002	HX610350	R.MTL.CHP	0Ω 1/10W ERJ6GEY0R00
K3003	HX610350	R.MTL.CHP	0Ω 1/10W ERJ6GEY0R00
K3013	HX609880	R.MTL.CHP	0Ω 1/16W ERJ3GEY0R00
K3014	HX609880	R.MTL.CHP	0Ω 1/16W ERJ3GEY0R00
K3021	HX609880	R.MTL.CHP	0Ω 1/16W ERJ3GEY0R00
K3511	HX610350	R.MTL.CHP	0Ω 1/10W ERJ6GEY0R00
K3552	HX610350	R.MTL.CHP	0Ω 1/10W ERJ6GEY0R00
K3851	HX610350	R.MTL.CHP	0Ω 1/10W(GB) ERJ6GEY0R00
K3852	HX610350	R.MTL.CHP	0Ω 1/10W(GB) ERJ6GEY0R00
K3853	HX610350	R.MTL.CHP	0Ω 1/10W(GB) ERJ6GEY0R00
K4752	HX610350	R.MTL.CHP	0Ω 1/10W ERJ6GEY0R00
K4771	FX612090	C.CE	0.1uF 50V CH ECUM1H104ZFN
K5231	HX609880	R.MTL.CHP	0Ω 1/16W ERJ3GEY0R00
K5241	HX609880	R.MTL.CHP	0Ω 1/16W ERJ3GEY0R00
K6004	HX610350	R.MTL.CHP	0Ω 1/10W ERJ6GEY0R00
K6007	HX610350	R.MTL.CHP	0Ω 1/10W ERJ6GEY0R00
K6009	HX610350	R.MTL.CHP	0Ω 1/10W ERJ6GEY0R00
K6015	AAX03820	R.CHP	0Ω 1/10W(GB) ERJ6GMZ0R00
K6251	HX609860	R.MTL.CHP	0Ω 1/4W ERJ14Y0R00
K6301	HX609880	R.MTL.CHP	0Ω 1/16W ERJ3GEY0R00
K6502	HX609880	R.MTL.CHP	0Ω 1/16W ERJ3GEY0R00
K6503	HX609880	R.MTL.CHP	0Ω 1/16W ERJ3GEY0R00
K6504	HX609880	R.MTL.CHP	0Ω 1/16W ERJ3GEY0R00
K6521	HX609880	R.MTL.CHP	0Ω 1/16W ERJ3GEY0R00
K6531	HX609880	R.MTL.CHP	0Ω 1/16W ERJ3GEY0R00
⚠ L1001	NX703060	FLTR	ELF15N005A ELF15N005A
L1111	AAX05340	COIL	10uH VLQ0611K100
L1115	GX609370	COIL	10uH ELELN100KA
L1131	NX702210	COIL	33uH VLQEL05S330K
L1141	NX702210	COIL	33uH VLQEL05S330K
L1151	AAX05350	COIL	22uH VLQ0611K220
* L2001	AAX16490	COIL	10uH VLQ0860K100
* L2002	AAX16510	COIL	10uH VLQ0910K100
* L2003	AAX16510	COIL	10uH VLQ0910K100
L2501	HX609860	R.MTL.CHP	0Ω 1/4W ERJ14Y0R00
* L3091	AAX16490	COIL	10uH VLQ0860K100
* L3501	AAX15630	COIL	22uH ELESE220JA
L3851	AAX18350	COIL	ELESN220JA(GB) ELESN220JA
L3871	AAX18360	COIL	RLQZN471KLD(GB) RLQZN471KLD
L3872	AAX18360	COIL	RLQZN471KLD(GB) RLQZN471KLD
* L4201	AAX16500	COIL	22uH VLQ0909J220
* L4781	AAX15630	COIL	22uH ELESE220JA
* L5201	AAX16490	COIL	10uH VLQ0860K100
* L5202	AAX16510	COIL	10uH VLQ0910K100
L6001	AAX05360	COIL	100uH VLQEL05S101J
L6002	AAX05370	COIL	220uH VLQEL05S221J
L6201	NX702750	COIL.CHP	VLP0323A601T VLP0323A601T

SCHM REF.	PART NO.	DESCRIPTION		REMARKS
* L6501	AAI16500	COIL	22uH	VLQ0909J220
* L6502	AAI16500	COIL	22uH	VLQ0909J220
* L7001	AAI16510	COIL	10uH	VLQ0910K100
* L7002	AAI16510	COIL	10uH	VLQ0910K100
* LA2501	AAI16480	COIL.CHP		VLP0412A601
* LA2502	AAI16480	COIL.CHP		VLP0412A601
LB1021	NX702140	COIL	VLP0056	VLP0056
LB2509	GX609400	COIL		JALBK2HS470T
LB2510	GX609400	COIL		JALBK2HS470T
LB2511	GX609400	COIL		JALBK2HS470T
LB2512	NX702750	COIL.CHP	VLP0323A601T	VLP0323A601T
LB2513	GX609400	COIL		JALBK2HS470T
LB2514	GX609400	COIL		JALBK2HS470T
LB2515	GX609400	COIL		JALBK2HS470T
LB2516	GX609400	COIL		JALBK2HS470T
LB3201	NX702750	COIL.CHP	VLP0323A601T	VLP0323A601T
LB3202	NX702750	COIL.CHP	VLP0323A601T	VLP0323A601T
LB3203	NX702750	COIL.CHP	VLP0323A601T (UAR)	VLP0323A601T
LB3204	NX702750	COIL.CHP	VLP0323A601T (UAR)	VLP0323A601T
LB3533	NX702150	COIL	VLP0145	VLP0145
LB3534	NX702150	COIL	VLP0145	VLP0145
LB3536	NX702150	COIL	VLP0145	VLP0145
LB3537	NX702150	COIL	VLP0145 (UAR)	VLP0145
LB3538	NX702150	COIL	VLP0145 (UAR)	VLP0145
LB3539	NX702150	COIL	VLP0145 (UAR)	VLP0145
LB3871	NX702150	COIL	VLP0145 (GB)	VLP0145
LB3872	NX702150	COIL	VLP0145 (GB)	VLP0145
LB3873	NX702150	COIL	VLP0145 (GB)	VLP0145
LB3874	NX702150	COIL	VLP0145 (GB)	VLP0145
LB4001	NX702750	COIL.CHP	VLP0323A601T	VLP0323A601T
LB4002	NX702750	COIL.CHP	VLP0323A601T	VLP0323A601T
LB4003	NX702750	COIL.CHP	VLP0323A601T	VLP0323A601T
LB4004	NX702750	COIL.CHP	VLP0323A601T	VLP0323A601T
LB4005	NX702750	COIL.CHP	VLP0323A601T	VLP0323A601T
LB4006	NX702750	COIL.CHP	VLP0323A601T	VLP0323A601T
LB4007	HX609980	R.MTL.CHP	10Ω 1/16W	ERJ3GEYJ100
LB4008	HX609980	R.MTL.CHP	10Ω 1/16W	ERJ3GEYJ100
LB4501	NX702150	COIL	VLP0145	VLP0145
LB4511	NX702150	COIL	VLP0145	VLP0145
LB4531	NX702150	COIL	VLP0145	VLP0145
LB5201	NX702750	COIL.CHP	VLP0323A601T	VLP0323A601T
LB5202	NX702750	COIL.CHP	VLP0323A601T	VLP0323A601T
LB5203	NX702750	COIL.CHP	VLP0323A601T	VLP0323A601T
LB5204	NX702750	COIL.CHP	VLP0323A601T	VLP0323A601T
LB5205	NX702750	COIL.CHP	VLP0323A601T	VLP0323A601T
LB5206	NX702750	COIL.CHP	VLP0323A601T	VLP0323A601T
LB5207	NX702750	COIL.CHP	VLP0323A601T	VLP0323A601T
LB5208	NX702750	COIL.CHP	VLP0323A601T	VLP0323A601T
LB5209	NX702750	COIL.CHP	VLP0323A601T	VLP0323A601T
LB5210	NX702750	COIL.CHP	VLP0323A601T	VLP0323A601T
LB5211	GX609400	COIL		JALBK2HS470T
LB5212	NX702750	COIL.CHP	VLP0323A601T	VLP0323A601T
LB5213	NX702750	COIL.CHP	VLP0323A601T	VLP0323A601T

SCHM REF.	PART NO.	DESCRIPTION		REMARKS
LB5214	NX702750	COIL.CHP	VLP0323A601T	VLP0323A601T
* LB5215	AAI16460	COIL		VLP0174
* LB5216	AAI16460	COIL		VLP0174
* LB5217	AAI16460	COIL		VLP0174
* LB5218	AAI16460	COIL		VLP017
LB6003	AAI03840	COIL		VLP0153
LB6004	AAI03840	COIL		VLP0153
LB6005	AAI03840	COIL		VLP0153
LB6010	AAI03840	COIL		VLP0153
LB6201	GX609450	COIL		VLP0155
LB6501	NX702750	COIL.CHP	VLP0323A601T	VLP0323A601T
LB6502	GX609450	COIL		VLP0155
LB6503	GX609450	COIL		VLP0155
LB6504	NX702750	COIL.CHP	VLP0323A601T	VLP0323A601T
LB6505	GX609450	COIL		VLP0155
LB6506	NX702750	COIL.CHP	VLP0323A601T	VLP0323A601T
LB6507	GX609450	COIL		VLP0155
LB6551	NX702750	COIL.CHP	VLP0323A601T	VLP0323A601T
* LR1041	AAI16470	COIL		VLP0392
⚠ P1001	LX610440	INLET.AC		VJS2986
* PP1101	AAI16350	CONNECTOR	18P	VJP4368A018B
* PP2591	AAI16340	CONNECTOR	5P	VJP4366A005B
* PP3201	AAI16370	CONNECTOR	22P MALE (UAR)	VJP4370A022B
PP3201	AAI16360	CONNECTOR	14P MALE (GB)	VJP4369A014B
PP3801	AAI18370	CONNECTOR	16P MALE (G,B)	VJP3042A016W
* PP4201	AAI16360	CONNECTOR	14P	VJP4369A014B
⚠ PR1161	AAI04040	CN		VSF0015A025
⚠ PR1171	KX604710	FUSE		VSF0015A10
PS1101	AAI04010	CN		VJS4223A018
* PS2591	AAI16420	CONNECTOR	5P	VJS4366A005B
* PS3201	AAI16410	CONNECTOR	22P FEMALE (UAR)	VJS4222C022B
PS3201	AAI16400	CONNECTOR	14P FEMALE (GB)	VJS4222A014B
PS3801	AAI18380	CONNECTOR	16P FEMALE (GB)	VJS3042F016W
* PS4201	AAI16400	CONNECTOR	14P	VJS4222A014B
PS6201	AAI03930	CN	10P	VJS2961A010
⚠ Q1021	NX704080	TR	2SC4662LF654	2SC4662LF654
⚠ Q1051	ix637290	TR	PS2501-1H	PS25011H
Q1052	NX704090	TR	2SD1996-S	2SD1996S
* Q1061	AAI15450	TR	2SD1996-R	2SD1996R
Q1062	NX704070	TR	2SC3311A-S	2SC3311AS
* Q1063	AAI15450	TR	2SD1996-R	2SD1996R
Q1115	NX702880	TR	2SJ525	2SJ525
Q3081	NX702830	TR	2SB1218A-R	2SB1218AR
Q3082	NX702830	TR	2SB1218A-R (UAR)	2SB1218AR
Q3083	NX702830	TR	2SB1218A-R (UAR)	2SB1218AR
Q3084	NX702830	TR	2SB1218A-R	2SB1218AR
Q3501	ix637270	TR	2SD601A	2SD601A
Q3831	AAI05830	TR	XN4402 (GB)	XN4402
Q3832	AAI05820	TR	XN4401 (GB)	XN4401
Q4501	ix637240	TR	2SD1328	2SD1328
Q4502	ix637270	TR	2SD601A (GB)	2SD601A
Q4511	ix637240	TR	2SD1328	2SD1328
Q4512	ix637270	TR	2SD601A (GB)	2SD601A

*New Parts

SCHM REF.	PART NO.	DESCRIPTION		REMARKS
Q4521	ix637240	TR	2SD1328	2SD1328
Q4531	ix637240	TR	2SD1328	2SD1328
Q5201	ix637190	TR	2SB1115T(GB)	2SB1115T
Q5201	AAX05780	TR	2SB1115	2SB1115
* Q6009	AAX15450	TR	2SD1996-R	2SD1996R
QR1115	NX702790	TR.DGT	UN4213	UN4213
QR2001	AAX04240	TR.DGT	UN5213	UN5213
QR3521	ix635550	TR.DGT	UN2212(UAR)	UN2212
QR4521	ix637130	TR.DGT	UN2111	UN2111
QR4593	NX702780	TR.DGT	UN2211	UN2211
QR4594	ix637130	TR.DGT	UN2111	UN2111
QR4596	ix637130	TR.DGT	UN2111	UN2111
QR5201	ix637160	TR.DGT	UN5212	UN5212
* QR5231	AAX16160	TR	UN2121	UN2121
QR6009	NX702890	TR	DTA123JK	DTA123JK
QR6011	NX702890	TR	DTA123JK(GB)	DTA123JK
QR6301	ix637160	TR.DGT	UN5212	UN5212
R1031	HV458120	R.CAR.FR	120KΩ 1/4W	ERDS2FJ124
R1032	HV458120	R.CAR.FR	120KΩ 1/4W	ERDS2FJ124
R1041	HV459100	R.CAR.FP	1MΩ 1/4W	ERDS2TJ105
* R1042	AAX15790	R.MTL.FLM	68Ω 2W	ERG2SJ680
* R1051	AAX15780	R.CAR.FP	75Ω 1/4W	ERDS2TJ750
* R1052	AAX15680	R.CAR.FP	10Ω 1/4W	ERDS2TJ100
R1053	HV455330	R.CAR.FP	330Ω 1/4W	ERDS2TJ331
* R1054	AAX15640	R.CAR.FP	680Ω 1/4W	EROS2CKG6800
R1061	HV457100	R.CAR.FP	10KΩ 1/4W	ERDS2TJ103
* R1062	AAX15770	R.CAR.FP	510KΩ 1/4W	ERDS2TJ514
* R1063	AAX15760	R.CAR.FP	470KΩ 1/4W	ERDS2TJ474
* R1064	AAX15710	R.CAR.FP	15KΩ 1/4W	ERDS2TJ153
* R1065	AAX15730	R.CAR.FP	3.3KΩ 1/4W	ERDS2TJ332
R1066	HV457470	R.CAR.FP	47KΩ 1/4W	ERDS2TJ473
* R1101	AAX15780	R.CAR.FP	75Ω 1/4W	ERDS2TJ750
R1102	AAX07230	R.MTL	1.2KΩ 1/4W	EROS2CKF1201
R1103	AAX07230	R.MTL	1.2KΩ 1/4W	EROS2CKF1201
R1104	HV455560	R.CAR.FP	560Ω 1/4W	ERDS2TJ561
R1105	AAX07280	R.MTL	270Ω 1/4W	ERDS2TJ271
* R1106	AAX15740	R.CAR.FP	3.9KΩ 1/4W	ERDS2TJ392
* R1107	AAX15750	R.CAR.FP	4.7KΩ 1/4W	ERDS2TJ472
R1115	HV458100	R.CAR.FP	100KΩ 1/4W	ERDS2TJ104
R1116	HV456100	R.CAR.FP	1KΩ 1/4W	ERDS2TJ102
R1125	HV455100	R.CAR.FP	100Ω 1/4W	ERDS2TJ101
R1126	AAX07230	R.MTL	1.2KΩ 1/4W	EROS2CKF1201
R1127	AAX07230	R.MTL	1.2KΩ 1/4W	EROS2CKF1201
R1161	HV458100	R.CAR.FP	100KΩ 1/4W	ERDS2TJ104
R1181	HV455100	R.CAR.FP	100Ω 1/4W	ERDS2TJ101
R2001	HX610190	R.MTL.CHP	47KΩ 1/16W	ERJ3GEYJ473
R2002	HX610190	R.MTL.CHP	47KΩ 1/16W	ERJ3GEYJ473
R2003	HX610190	R.MTL.CHP	47KΩ 1/16W	ERJ3GEYJ473
R2004	HX610190	R.MTL.CHP	47KΩ 1/16W	ERJ3GEYJ473
R2005	HX610190	R.MTL.CHP	47KΩ 1/16W	ERJ3GEYJ473
R2006	HX610190	R.MTL.CHP	47KΩ 1/16W	ERJ3GEYJ473
R2007	HX610190	R.MTL.CHP	47KΩ 1/16W	ERJ3GEYJ473
R2008	HX610120	R.MTL.CHP	22KΩ 1/16W	ERJ3GEYJ223

SCHM REF.	PART NO.	DESCRIPTION			REMARKS
R2009	HX610120	R.MTL.CHP	22KΩ	1/16W	ERJ3GEYJ223
R2010	HX610160	R.MTL.CHP	27KΩ	1/16W	ERJ3GEYJ273
R2011	HX610040	R.MTL.CHP	12KΩ	1/16W	ERJ3GEYJ123
R2012	HX610220	R.MTL.CHP	5.6KΩ	1/16W	ERJ3GEYJ562
R2013	HX610160	R.MTL.CHP	27KΩ	1/16W	ERJ3GEYJ273
R2014	NX703300	R.MTL.CHP	1MΩ	1/16W	ERJ3GEYJ105
* R2017	AAX15810	R.MTL.CHP	15KΩ	1/16W	ERJ3GEYF153
R2018	HX610190	R.MTL.CHP	47KΩ	1/16W	ERJ3GEYJ473
R2020	AAX06360	R.MTL.CHP	12KΩ	1/16W	ERJ3GEYF123
R2021	HX610010	R.MTL.CHP	10KΩ	1/16W	ERJ3GEYJ103
R2022	HX610120	R.MTL.CHP	22KΩ	1/16W	ERJ3GEYJ223
R2023	HX610120	R.MTL.CHP	22KΩ	1/16W	ERJ3GEYJ223
R2024	NX703380	R.MTL.CHP	56KΩ	1/16W	ERJ3GEYJ563
R2025	NX703380	R.MTL.CHP	56KΩ	1/16W	ERJ3GEYJ563
R2026	HX609990	R.MTL.CHP	100Ω	1/16W	ERJ3GEYJ101
R2027	HX609950	R.MTL.CHP	4.7KΩ	1/16W	ERJ3GEYG472
R2028	HX610010	R.MTL.CHP	10KΩ	1/16W	ERJ3GEYJ103
R2029	NX703420	R.MTL.CHP	10KΩ	1/16W	ERJ3RBD103
R2030	HX610010	R.MTL.CHP	10KΩ	1/16W	ERJ3GEYJ103
R2031	HX609880	R.MTL.CHP	0Ω	1/16W	ERJ3GEY0R00
R2032	HX610190	R.MTL.CHP	47KΩ	1/16W	ERJ3GEYJ473
R2033	HX609950	R.MTL.CHP	4.7KΩ	1/16W	ERJ3GEYG472
R2034	HX609950	R.MTL.CHP	4.7KΩ	1/16W	ERJ3GEYG472
R2501	HX610140	R.MTL.CHP	270Ω	1/16W	ERJ3GEYJ271
R2502	HX610140	R.MTL.CHP	270Ω	1/16W	ERJ3GEYJ271
R2503	NX703240	R.MTL.CHP	0.39Ω	1/4W	ERJ14YKR39
R2505	HX610190	R.MTL.CHP	47KΩ	1/16W	ERJ3GEYJ473
* R2511	AAX15880	R.MTL.CHP	20KΩ	1/16W	ERJ3GEYJ203
R2512	HX610160	R.MTL.CHP	27KΩ	1/16W	ERJ3GEYJ273
R2513	NX703340	R.MTL.CHP	33KΩ	1/16W	ERJ3GEYJ333
* R2514	AAX15880	R.MTL.CHP	20KΩ	1/16W	ERJ3GEYJ203
R2515	HX610160	R.MTL.CHP	27KΩ	1/16W	ERJ3GEYJ273
R2516	NX703340	R.MTL.CHP	33KΩ	1/16W	ERJ3GEYJ333
R2517	HX610040	R.MTL.CHP	12KΩ	1/16W	ERJ3GEYJ123
R2518	HX610010	R.MTL.CHP	10KΩ	1/16W	ERJ3GEYJ103
R2519	NX703390	R.MTL.CHP	7.5KΩ	1/16W	ERJ3GEYJ752
R2520	HX610040	R.MTL.CHP	12KΩ	1/16W	ERJ3GEYJ123
R2521	HX610010	R.MTL.CHP	10KΩ	1/16W	ERJ3GEYJ103
R2522	NX703390	R.MTL.CHP	7.5KΩ	1/16W	ERJ3GEYJ752
R2591	XX701550	R.CAR.CHP	47KΩ	1/10W	ERJ6GEYJ473
R2592	XX701550	R.CAR.CHP	47KΩ	1/10W	ERJ6GEYJ473
R2593	AAX06750	R.MTL.CHP	10KΩ	1/10W	ERJ6GEYJ103
R2594	NX703470	R.MTL.CHP	33KΩ	1/10W	ERJ6GEYF333
R3001	HX610090	R.MTL.CHP	22Ω	1/16W	ERJ3GEYJ220
R3002	HX609950	R.MTL.CHP	4.7KΩ	1/16W	ERJ3GEYG472
R3003	HX609990	R.MTL.CHP	100Ω	1/16W	ERJ3GEYJ101
R3004	HX609880	R.MTL.CHP	0Ω	1/16W	ERJ3GEY0R00
R3005	HX610190	R.MTL.CHP	47KΩ	1/16W	ERJ3GEYJ473
R3051	AAX06630	R.MTL.CHP	7.5KΩ	1/16W	ERJ3RBD752
R3052	HX609990	R.MTL.CHP	100Ω	1/16W	ERJ3GEYJ101
R3055	AAX06630	R.MTL.CHP	7.5KΩ	1/16W	ERJ3RBD752
R3057	AAX06540	R.MTL.CHP	18KΩ	1/16W	ERJ3RBD183
* R3058	AAX15890	R.MTL.CHP	4.3KΩ	1/16W	ERJ3RBD432

*New Parts

SCHM REF.	PART NO.	DESCRIPTION		REMARKS
R3059	AA06630	R.MTL.CHP	7.5KΩ 1/16W	ERJ3RBD752
R3060	AA06630	R.MTL.CHP	7.5KΩ 1/16W	ERJ3RBD752
R3061	HX609990	R.MTL.CHP	100Ω 1/16W	ERJ3GEYJ101
R3071	HX610010	R.MTL.CHP	10KΩ 1/16W	ERJ3GEYJ103
* R3081	AA015900	R.MTL.CHP	75Ω 1/16W	ERJ3RED750
R3082	NX703330	R.MTL.FLM	33Ω 1/16W	ERJ3GEYJ330
R3083	HX609890	R.MTL.CHP	1KΩ 1/16W	ERJ3GEYG102
* R3084	AA015900	R.MTL.CHP	75Ω 1/16W	ERJ3RED750
R3085	NX703330	R.MTL.FLM	33Ω 1/16W(UAR)	ERJ3GEYJ330
R3086	HX609890	R.MTL.CHP	1KΩ 1/16W(UAR)	ERJ3GEYG102
* R3087	AA015900	R.MTL.CHP	75Ω 1/16W	ERJ3RED750
R3088	NX703330	R.MTL.FLM	33Ω 1/16W(UAR)	ERJ3GEYJ330
R3089	HX609890	R.MTL.CHP	1KΩ 1/16W(UAR)	ERJ3GEYG102
* R3090	AA015900	R.MTL.CHP	75Ω 1/16W	ERJ3RED750
R3091	NX703330	R.MTL.FLM	33Ω 1/16W	ERJ3GEYJ330
R3092	HX610170	R.MTL.CHP	330Ω 1/16W	ERJ3GEYJ331
R3501	AA06850	R.MTL.CHP	4.7KΩ 1/10W	ERJ6GEYJ472
* R3502	AA015910	R.MTL.CHP	1.8KΩ 1/10W	ERJ6GEYG182
R3504	AA03820	R.CHP	0Ω 1/10W(GB)	ERJ6GMZ0R00
R3506	AA03820	R.CHP	0Ω 1/10W(GB)	ERJ6GMZ0R00
R3507	XX701450	R.CAR.CHP	1KΩ 1/10W	ERJ6GEYJ102
R3511	AA06690	R.MTL.CHP	1KΩ 1/10W	ERJ6ENF1001
R3512	AA06690	R.MTL.CHP	1KΩ 1/10W	ERJ6ENF1001
R3521	HX610500	R.MTL.CHP	2.2KΩ 1/10W(UAR)	ERJ6GEYG222
R3526	AA06750	R.MTL.CHP	10KΩ 1/10W(UAR)	ERJ6GEYJ103
R3533	HX610340	R.MTL.CHP	75Ω 1/10W	ERJ6ENF75R0
R3534	HX610340	R.MTL.CHP	75Ω 1/10W	ERJ6ENF75R0
R3536	NX703450	R.MTL.CHP	71.5Ω 1/10W	ERJ6ENF71R5
R3537	HX610340	R.MTL.CHP	75Ω 1/10W(UAR)	ERJ6ENF75R0
R3538	HX610340	R.MTL.CHP	75Ω 1/10W(UAR)	ERJ6ENF75R0
R3539	HX610340	R.MTL.CHP	75Ω 1/10W(UAR)	ERJ6ENF75R0
R3801	AA018450	R.CAR.CHP	150Ω 1/10W(GB)	ERJ6ENF1500
R3802	AA018450	R.CAR.CHP	150Ω 1/10W(GB)	ERJ6ENF1500
R3803	AA018450	R.CAR.CHP	150Ω 1/10W(GB)	ERJ6ENF1500
R3804	AA018450	R.CAR.CHP	150Ω 1/10W(GB)	ERJ6ENF1500
R3805	XX701440	R.CAR.CHP	100Ω 1/10W(GB)	ERJ6GEYJ101
R3806	XX701550	R.CAR.CHP	47KΩ 1/10W(GB)	ERJ6GEYJ473
R3807	XX701440	R.CAR.CHP	100Ω 1/10W(GB)	ERJ6GEYJ101
R3808	XX701550	R.CAR.CHP	47KΩ 1/10W(GB)	ERJ6GEYJ473
R3811	AA018430	R.CAR.CHP	120Ω 1/10W(G,B)	ERJ6ENF1200
R3812	AA018440	R.CAR.CHP	130Ω 1/10W(GB)	ERJ6ENF1300
R3831	AA06750	R.MTL.CHP	10KΩ 1/10W(GB)	ERJ6GEYJ103
R3832	AA06850	R.MTL.CHP	4.7KΩ 1/10W(GB)	ERJ6GEYJ472
R3833	AA06750	R.MTL.CHP	10KΩ 1/10W(GB)	ERJ6GEYJ103
R3834	AA06750	R.MTL.CHP	10KΩ 1/10W(GB)	ERJ6GEYJ103
R3835	AA06850	R.MTL.CHP	4.7KΩ 1/10W(GB)	ERJ6GEYJ472
R3836	AA06870	R.MTL.CHP	68Ω 1/10W(GB)	ERJ6GEYJ680
R3837	AA06850	R.MTL.CHP	4.7KΩ 1/10W(GB)	ERJ6GEYJ472
R3838	AA06850	R.MTL.CHP	4.7KΩ 1/10W(GB)	ERJ6GEYJ472
R3842	NX703570	R.MTL.CHP	470Ω 1/10W(GB)	ERJ6GEYJ471
R3853	AA06740	R.MTL.CHP	33KΩ 1/10W(GB)	ERJ6GEYG333
R3854	NX703520	R.MTL.CHP	5.6KΩ 1/10W(GB)	ERJ6GEYG562
R3865	AA06750	R.MTL.CHP	10KΩ 1/10W(GB)	ERJ6GEYJ103

SCHM REF.	PART NO.	DESCRIPTION		REMARKS
R3871	AA06900	R.MTL.CHP	820Ω 1/10W(GB)	ERJ6GEYJ821
R3872	XX701440	R.CAR.CHP	100Ω 1/10W(GB)	ERJ6GEYJ101
R3873	AA06900	R.MTL.CHP	820Ω 1/10W(GB)	ERJ6GEYJ821
R3874	XX701440	R.CAR.CHP	100Ω 1/10W(GB)	ERJ6GEYJ101
R3875	HX610340	R.MTL.CHP	75Ω 1/10W(GB)	ERJ6ENF75R0
R3876	HX610340	R.MTL.CHP	75Ω 1/10W(GB)	ERJ6ENF75R0
R3877	HX610340	R.MTL.CHP	75Ω 1/10W(GB)	ERJ6ENF75R0
R3878	HX610340	R.MTL.CHP	75Ω 1/10W(GB)	ERJ6ENF75R0
R3879	HX610340	R.MTL.CHP	75Ω 1/10W(GB)	ERJ6ENF75R0
R3889	HX610340	R.MTL.CHP	75Ω 1/10W(GB)	ERJ6ENF75R0
R4201	HX610170	R.MTL.CHP	330Ω 1/16W	ERJ3GEYJ331
R4202	HX610110	R.MTL.CHP	2.2KΩ 1/16W	ERJ3GEYJ222
R4309	HX610350	R.MTL.CHP	0Ω 1/10W	ERJ6GEY0R00
R4319	HX610350	R.MTL.CHP	0Ω 1/10W	ERJ6GEY0R00
R4321	HX610440	R.MTL.CHP	100KΩ 1/10W	ERJ6GEYJ104
* R4322	AA015660	R.MTL.CHP	3.9KΩ 1/10W	ERA6YED392
* R4323	AA015650	R.MTL.CHP	10KΩ 1/10W	ERA6YED103
* R4324	AA015670	R.MTL.CHP	8.2KΩ 1/10W	ERA6YED822
R4327	XX701550	R.CAR.CHP	47KΩ 1/10W	ERJ6GEYJ473
R4329	HX610510	R.MTL.CHP	22KΩ 1/10W	ERJ6GEYJ223
R4331	HX610440	R.MTL.CHP	100KΩ 1/10W	ERJ6GEYJ104
* R4332	AA015660	R.MTL.CHP	3.9KΩ 1/10W	ERA6YED392
* R4333	AA015650	R.MTL.CHP	10KΩ 1/10W	ERA6YED103
* R4334	AA015670	R.MTL.CHP	8.2KΩ 1/10W	ERA6YED822
R4337	XX701550	R.CAR.CHP	47KΩ 1/10W	ERJ6GEYJ473
R4338	XX701550	R.CAR.CHP	47KΩ 1/10W	ERJ6GEYJ473
R4366	HX610350	R.MTL.CHP	0Ω 1/10W	ERJ6GEY0R00
R4369	HX610350	R.MTL.CHP	0Ω 1/10W	ERJ6GEY0R00
R4458	HX610350	R.MTL.CHP	0Ω 1/10W	ERJ6GEY0R00
R4459	HX610350	R.MTL.CHP	0Ω 1/10W	ERJ6GEY0R00
* R4471	AA015940	R.MTL.CHP	68KΩ 1/10W	ERJ6GEYJ683
* R4472	AA015940	R.MTL.CHP	68KΩ 1/10W	ERJ6GEYJ683
R4473	XX701550	R.CAR.CHP	47KΩ 1/10W	ERJ6GEYJ473
R4475	XX701550	R.CAR.CHP	47KΩ 1/10W	ERJ6GEYJ473
R4476	XX701550	R.CAR.CHP	47KΩ 1/10W	ERJ6GEYJ473
R4477	AA015920	R.MTL.CHP	56KΩ 1/10W	ERJ6GEYJ563
R4478	HX610350	R.MTL.CHP	0Ω 1/10W	ERJ6GEY0R00
R4501	HX610610	R.MTL.CHP	820Ω 1/10W	ERJ6GEYJ821
R4502	HX610490	R.MTL.CHP	220Ω 1/10W	ERJ6GEYJ221
R4503	HX610610	R.MTL.CHP	820Ω 1/10W	ERJ6GEYJ821
R4504	AA07170	R.MTL.CHP	820Ω 1/10W(GB)	ERJ6GMYJ821
R4505	AA07170	R.MTL.CHP	820Ω 1/10W(GB)	ERJ6GMYJ821
R4511	HX610610	R.MTL.CHP	820Ω 1/10W	ERJ6GEYJ821
R4512	HX610490	R.MTL.CHP	220Ω 1/10W	ERJ6GEYJ221
R4513	HX610610	R.MTL.CHP	820Ω 1/10W	ERJ6GEYJ821
R4514	AA07170	R.MTL.CHP	820Ω 1/10W(GB)	ERJ6GMYJ821
R4515	AA07170	R.MTL.CHP	820Ω 1/10W(GB)	ERJ6GMYJ821
R4524	HX610570	R.MTL.CHP	3.3KΩ 1/10W	ERJ6GEYJ332
R4525	HX610350	R.MTL.CHP	0Ω 1/10W	ERJ6GEY0R00
R4531	HX610610	R.MTL.CHP	820Ω 1/10W	ERJ6GEYJ821
R4532	HX610490	R.MTL.CHP	220Ω 1/10W	ERJ6GEYJ221
R4533	HX610610	R.MTL.CHP	820Ω 1/10W	ERJ6GEYJ821
R4590	XX701450	R.CAR.CHP	1KΩ 1/10W	ERJ6GEYJ102

*New Parts

SCHM REF.	PART NO.	DESCRIPTION		REMARKS
R4594	AAX07200	R.MTL.CHP	1KΩ 1/8W	ERJ8GEYJ102
R4596	HX610510	R.MTL.CHP	22KΩ 1/10W	ERJ6GEYG223
R4598	HX610560	R.MTL.CHP	330Ω 1/10W	ERJ6GEYG331
* R4599	AAX15930	R.MTL.CHP	680Ω 1/10W	ERJ6GEYG681
R4600	HX610490	R.MTL.CHP	220Ω 1/10W	ERJ6GEYG221
R5201	AAX07260	R.MTL	27Ω 1/2W	ERJ12YJ270
R5202	NX703320	R.MTL.CHP	2.2Ω 1/16W	ERJ3GEYJ2R2
R5203	HX610120	R.MTL.CHP	22KΩ 1/16W	ERJ3GEYJ223
R5204	HX610040	R.MTL.CHP	12KΩ 1/16W	ERJ3GEYJ123
R5206	HX610070	R.MTL.CHP	150KΩ 1/16W	ERJ3GEYJ154
* R5207	AAX15870	R.MTL.CHP	5.6KΩ 1/16W	ERJ3GEYF562
R5208	HX609990	R.MTL.CHP	100Ω 1/16W	ERJ3GEYJ101
* R5209	AAX15830	R.MTL.CHP	30KΩ 1/16W	ERJ3GEYF303
* R5210	AAX15860	R.MTL.CHP	47KΩ 1/16W	ERJ3GEYF473
* R5211	AAX15820	R.MTL.CHP	18KΩ 1/16W	ERJ3GEYF183
* R5212	AAX15870	R.MTL.CHP	5.6KΩ 1/16W	ERJ3GEYF562
R5213	HX610010	R.MTL.CHP	10KΩ 1/16W	ERJ3GEYJ103
R5214	NX703300	R.MTL.CHP	1MΩ 1/16W	ERJ3GEYJ105
R5215	NX703300	R.MTL.CHP	1MΩ 1/16W	ERJ3GEYJ105
R5216	NX703300	R.MTL.CHP	1MΩ 1/16W	ERJ3GEYJ105
R5217	HX609880	R.MTL.CHP	0Ω 1/16W	ERJ3GEY0R00
R6001	AAX07010	R.MTL.CHP	220Ω 1/10W(GB)	ERJ6GMYJ221
R6002	HX610490	R.MTL.CHP	220Ω 1/10W	ERJ6GEYG221
R6004	HX610350	R.MTL.CHP	0Ω 1/10W	ERJ6GEY0R00
R6010	XX701550	R.CAR.CHP	47KΩ 1/10W	ERJ6GEYJ473
R6011	XX701550	R.CAR.CHP	47KΩ 1/10W	ERJ6GEYJ473
R6012	XX701550	R.CAR.CHP	47KΩ 1/10W	ERJ6GEYJ473
R6013	XX701550	R.CAR.CHP	47KΩ 1/10W	ERJ6GEYJ473
R6014	XX701550	R.CAR.CHP	47KΩ 1/10W	ERJ6GEYJ473
R6015	XX701550	R.CAR.CHP	47KΩ 1/10W	ERJ6GEYJ473
R6016	XX701550	R.CAR.CHP	47KΩ 1/10W	ERJ6GEYJ473
R6017	XX701550	R.CAR.CHP	47KΩ 1/10W	ERJ6GEYJ473
R6018	XX701550	R.CAR.CHP	47KΩ 1/10W	ERJ6GEYJ473
R6019	XX701550	R.CAR.CHP	47KΩ 1/10W	ERJ6GEYJ473
R6020	AAX06750	R.MTL.CHP	10KΩ 1/10W	ERJ6GEYJ103
R6021	AAX06750	R.MTL.CHP	10KΩ 1/10W	ERJ6GEYJ103
R6022	AAX06750	R.MTL.CHP	10KΩ 1/10W	ERJ6GEYJ103
R6031	HX610440	R.MTL.CHP	100KΩ 1/10W	ERJ6GEYG104
R6032	HX610440	R.MTL.CHP	100KΩ 1/10W	ERJ6GEYG104
R6033	HX610440	R.MTL.CHP	100KΩ 1/10W	ERJ6GEYG104
R6034	HX610440	R.MTL.CHP	100KΩ 1/10W	ERJ6GEYG104
R6035	HX610440	R.MTL.CHP	100KΩ 1/10W	ERJ6GEYG104
R6036	AAX06750	R.MTL.CHP	10KΩ 1/10W	ERJ6GEYJ103
R6038	HX610490	R.MTL.CHP	220Ω 1/10W	ERJ6GEYG221
R6041	HX610610	R.MTL.CHP	820Ω 1/10W	ERJ6GEYG821
R6044	HX610610	R.MTL.CHP	820Ω 1/10W	ERJ6GEYG821
R6047	HX610610	R.MTL.CHP	820Ω 1/10W	ERJ6GEYG821
R6201	HX610010	R.MTL.CHP	10KΩ 1/16W	ERJ3GEYJ103
R6208	HX610190	R.MTL.CHP	47KΩ 1/16W	ERJ3GEYJ473
* R6209	AAX15800	R.MTL.CHP	150Ω 1/16W	ERJ3GEYF151
* R6210	AAX15850	R.MTL.CHP	470Ω 1/16W	ERJ3GEYF471
* R6211	AAX15840	R.MTL.CHP	390Ω 1/16W	ERJ3GEYF391
R6212	HX610190	R.MTL.CHP	47KΩ 1/16W	ERJ3GEYJ473

*New Parts

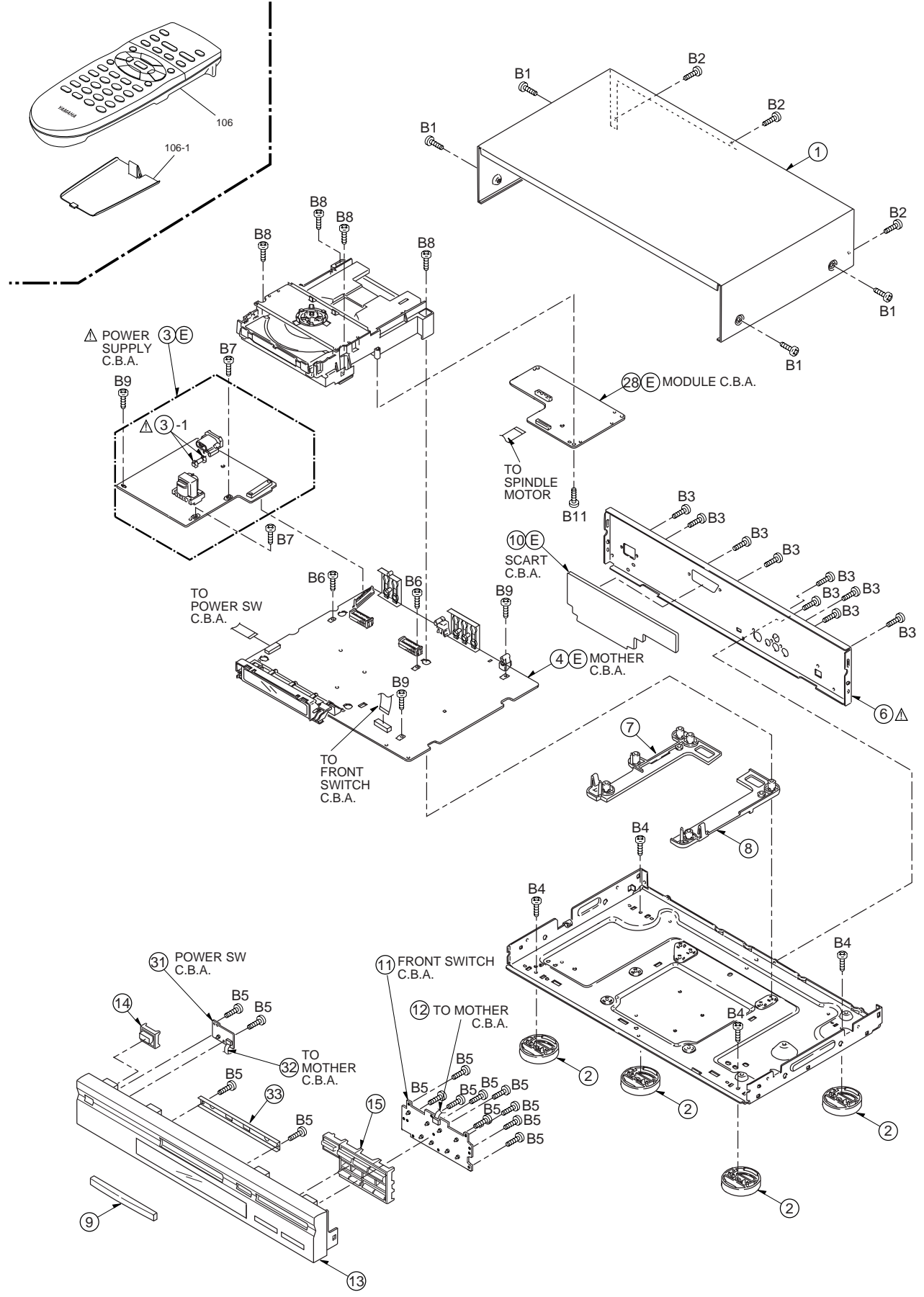
SCHM REF.	PART NO.	DESCRIPTION		REMARKS
R6213	HX609890	R.MTL.CHP	1KΩ 1/16W	ERJ3GEYG102
R6214	HX609890	R.MTL.CHP	1KΩ 1/16W	ERJ3GEYG102
R6301	HX610010	R.MTL.CHP	10KΩ 1/16W	ERJ3GEYJ103
R6302	HX609950	R.MTL.CHP	4.7KΩ 1/16W	ERJ3GEYG472
R6303	HX609950	R.MTL.CHP	4.7KΩ 1/16W	ERJ3GEYG472
R6401	HV456100	R.CAR.FP	1KΩ 1/4W	ERDS2TJ102
* R6402	AAX15690	R.CAR.FP	1.2KΩ 1/4W	ERDS2TJ122
R6403	HV456100	R.CAR.FP	1KΩ 1/4W	ERDS2TJ102
R6404	HV456100	R.CAR.FP	1KΩ 1/4W	ERDS2TJ102
* R6405	AAX15700	R.CAR.FP	1.5KΩ 1/4W	ERDS2TJ152
* R6406	AAX15720	R.CAR.FP	1.8KΩ 1/4W	ERDS2TJ182
R6502	AAX06550	R.MTL.CHP	220Ω 1/16W	ERJ3RBD221
R6503	HX610010	R.MTL.CHP	10KΩ 1/16W	ERJ3GEYJ103
R6504	HX610010	R.MTL.CHP	10KΩ 1/16W	ERJ3GEYJ103
R7001	HX609890	R.MTL.CHP	1KΩ 1/16W	ERJ3GEYG102
R7002	HX610190	R.MTL.CHP	47KΩ 1/16W	ERJ3GEYJ473
RA2001	AAX07220	R.ARRAY	0Ωx4	EXBV8VR000
RA2501	NX703070	R.ARRAY	EXBV4V103J	EXBV4V103J
RA3008	NX703070	R.ARRAY	EXBV4V103J	EXBV4V103J
* RA3009	AAX15970	R.ARRAY	0Ω	EXBV4VR000
* RA3010	AAX15970	R.ARRAY	0Ω	EXBV4VR000
RA3011	NX703100	R.ARRAY	EXBV4V473J	EXBV4V473J
* RA5201	AAX15960	R.ARRAY	100Ω	EXBV4V101J
RA6201	NX703070	R.ARRAY	EXBV4V103J	EXBV4V103J
RA6202	NX703100	R.ARRAY	EXBV4V473J	EXBV4V473J
RA6203	NX703100	R.ARRAY	EXBV4V473J	EXBV4V473J
RA6204	NX703100	R.ARRAY	EXBV4V473J	EXBV4V473J
RA6205	NX703110	R.ARRAY	EXBV8V473J	EXBV8V473J
RA6206	NX703100	R.ARRAY	EXBV4V473J	EXBV4V473J
RA7001	NX703110	R.ARRAY	EXBV8V473J	EXBV8V473J
RA7002	NX703110	R.ARRAY	EXBV8V473J	EXBV8V473J
RA7003	NX703110	R.ARRAY	EXBV8V473J	EXBV8V473J
S6401	KX604670	SW		EVQ11G07K
S6402	KX604670	SW		EVQ11G07K
S6403	KX604670	SW		EVQ11G07K
S6404	KX604670	SW		EVQ11G07K
S6405	KX604670	SW		EVQ11G07K
S6406	KX604670	SW		EVQ11G07K
S6407	KX604670	SW		EVQ11G07K
S6408	KX604670	SW		EVQ11G07K
S6411	KX604670	SW		EVQ11G07K
△* T1021	AAX15950	TRANS	ETS28AV115AC	ETS28AV115AC
W3221	HX609880	R.MTL.CHP	0Ω 1/16W	ERJ3GEY0R00
W701	HX610350	R.MTL.CHP	0Ω 1/10W	ERJ6GEY0R00
W702	HX610350	R.MTL.CHP	0Ω 1/10W	ERJ6GEY0R00
W703	HX610350	R.MTL.CHP	0Ω 1/10W	ERJ6GEY0R00
W704	HX610350	R.MTL.CHP	0Ω 1/10W	ERJ6GEY0R00
W705	HX610350	R.MTL.CHP	0Ω 1/10W	ERJ6GEY0R00
W706	HX610350	R.MTL.CHP	0Ω 1/10W	ERJ6GEY0R00
W707	HX610350	R.MTL.CHP	0Ω 1/10W	ERJ6GEY0R00
W708	HX610350	R.MTL.CHP	0Ω 1/10W	ERJ6GEY0R00
W709	HX610350	R.MTL.CHP	0Ω 1/10W	ERJ6GEY0R00
W710	HX610350	R.MTL.CHP	0Ω 1/10W	ERJ6GEY0R00

SCHM REF.	PART NO.	DESCRIPTION		REMARKS
W711	HX610350	R.MTL.CHP	0Ω 1/10W	ERJ6GEY0R00
W713	HX610350	R.MTL.CHP	0Ω 1/10W	ERJ6GEY0R00
W714	HX610350	R.MTL.CHP	0Ω 1/10W	ERJ6GEY0R00
W715	HX610350	R.MTL.CHP	0Ω 1/10W	ERJ6GEY0R00
W716	HX610350	R.MTL.CHP	0Ω 1/10W	ERJ6GEY0R00
X6001	QX600940	RSNR.CRYS		EF0EC8004A4
X6501	AA04680	RSNR		VSX1044
⚠ ZA1001	AX624190	HOLDER.FUS		EYF52BC
⚠ ZA1002	AX624190	HOLDER.FUS		EYF52BC
ZA1111	NX701970	GND.MTL	VJR0978	VJR0978
ZA3501	NX701970	GND.MTL	VJR0978	VJR0978
ZA3871	AA05100	PLATE.GND	(G,B)	VMC1450
ZA4201	NX701970	GND.MTL	VJR0978	VJR0978
ZA4751	NX701970	GND.MTL	VJR0978	VJR0978
ZA4752	AA03730			VMC1446
ZA6001	NX701970	GND.MTL	VJR0978	VJR0978
	AA03360	HOLDER.FL		VYQ1654
*	AA015430	CN.FLAT		VWJ06AW130BB
*	AA015420	CN.FLAT		VWJ05AW170BB
	AA015420	CN.FLAT	(GB)	VWJ05AW170BB

*New Parts

2. Casing Parts & Mechanism Section

2-1. Casing Parts & Mechanism Section Exploded View

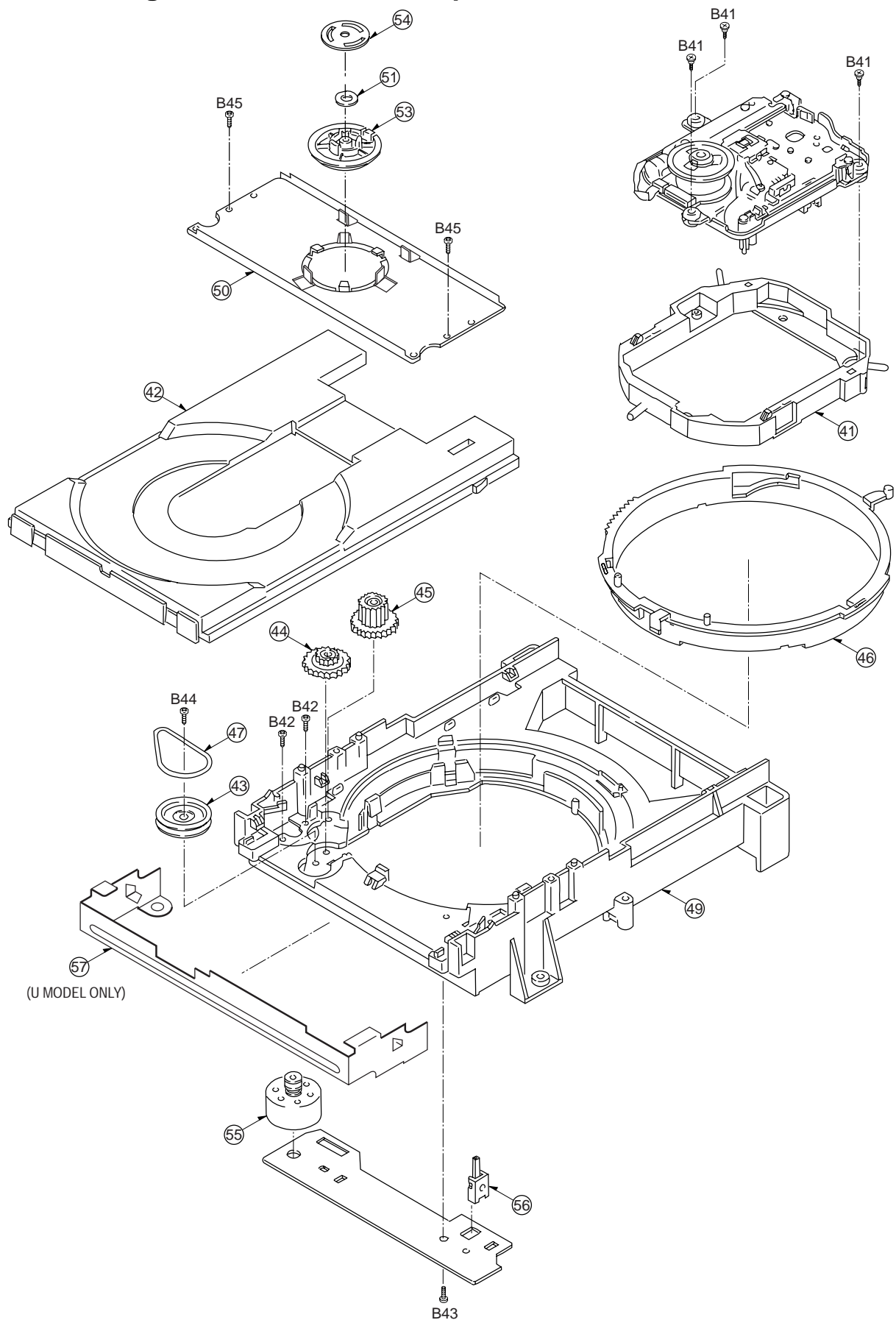


2-2.Casing Parts & Mechanism Section Parts List

REF. NO.	PART NO.	DESCRIPTION	REMARKS	MARKETS		
	1	AA06210	TOP COVER	BL	VGM1591	
*	1	AA016800	TOP COVER	GD	VGM1660	
	1	AA006220	TOP COVER	TI	VGM1592	
	2	CX680310	LEG	BL, TI	VYK7764	
	2	AA004150	LEG	GD	VYK5504	
△*	3	AA016260	P.C.B. ASS'Y	POWER SUPPLY	VEP91250A	(U)
	3	AA018240	P.C.B. ASS'Y	POWER SUPPLY	VEP91252A	(ABG)
*	3	AA018230	P.C.B. ASS'Y	POWER SUPPLY	VEP91251A	(R)
△	3-1	AX624190	FUSE HOLDER		EYF52BC	
*	4	AA016300	P.C.B. ASS'Y	MOTHER	VEP99144M	(U)
*	4	AA018150	P.C.B. ASS'Y	MOTHER	VEP99144R	(BG)
*	4	AA018140	P.C.B. ASS'Y	MOTHER	VEP99144P	(A)
*	4	AA018130	P.C.B. ASS'Y	MOTHER	VEP99144N	(R)
*	6	AA015410	REAR PANEL	DVD-S796	VMA0F08	(U)
*	6	AA018190	REAR PANEL	DVD-S796	VMA0F09	(BG)
*	6	AA018200	REAR PANEL	DVD-S796	VMA0F10	(A)
*	6	AA018220	REAR PANEL	DVD-S796	VMA0F48	(R)
*	6	AA018210	REAR PANEL	DV-S5270	VMA0F46	(U)
*	7	AA015360	SPACER(L)		VMD3854	
*	8	AA015370	SPACER(R)		VMD3855	
*	9	AA015380	TRAY TOP	DVD-S796 BL	VGK2613	
*	9	AA016770	TRAY TOP	DVD-S796 GD	VGK2580	
*	9	AA018090	TRAY TOP	DVD-S796 TI	VGK2615	
*	9	AA018080	TRAY TOP	DV-S5270 BL	VGK2614	
*	10	AA018390	P.C.B. ASS'Y	SCART	VEP93332B	(GB)
*	11	AA016280	P.C.B. ASS'Y	FRONT SWITCH	VEP96589A	
*	12	AA015430	FLAT CARD CABLE		VWJ06AW130BB	
*	13	AA015400	FRONT PANEL	DVD-S796 BL	VYP7718	
*	13	AA018120	FRONT PANEL	DVD-S796 GD	VYP7724	
*	13	AA018110	FRONT PANEL	DVD-S796 TI	VYP7722	
*	13	AA018100	FRONT PANEL	DV-S5270 BL	VYP7719	
	14	AA006230	BUTTON, OPERATION	L DVD-S796 BL	VGU8141	
*	14	AA004720	BUTTON, OPERATION	L DVD-S796 GD	VGU8090	
*	14	AA006250	BUTTON, OPERATION	L DVD-S796 TI	VGU8143	
*	14	AA006240	BUTTON, OPERATION	L DV-S5270 BL	VGU8142	
	15	AA006260	BUTTON, OPERATION	R DVD-S796 BL	VGU8144	
*	15	AA004730	BUTTON, OPERATION	R DVD-S796 GD	VGU8091	
*	15	AA006280	BUTTON, OPERATION	R DVD-S796 TI	VGU8146	
*	15	AA006270	BUTTON, OPERATION	R DV-S5270 BL	VGU8145	
*	28	AA016270	P.C.B. ASS'Y	MODULE	VEP96572F	(U)
*	28	AA018160	P.C.B. ASS'Y	MODULE	VEP96572G	(BG)
*	28	AA018180	P.C.B. ASS'Y	MODULE	VEP96572L	(A)
*	28	AA018170	P.C.B. ASS'Y	MODULE	VEP96572H	(R)
*	31	AA016290	P.C.B. ASS'Y	POWER SWITCH	VEP96590A	
*	32	AA015420	FLAT CARD CABLE		VWJ05AW170BB	
	33	AA004520	FRONT ANGLE		VMA0A98	
	B1	EX603940	SCREW		VHD1041	
	B2	EX603920	SCREW		VHD0690	
	B3	EX603920	SCREW		VHD0690	
	B4	AA004390	SCREW		XTV3+8G	
	B5	EX604040	SCREW		XTV3+10G	
	B6	AA004420	SCREW		XYE3+EF12	
	B7	AA004430	SCREW		XYE3+EF20	
	B8	AA004440	SCREW		XYE3+EF25	
*	B9	AA015390	SCREW		XYE3+EF8	
	B11	EX604040	SCREW		XTV3+10G	
			ACCESSORIES			
*	106	AA015220	REMOTE CONTROL UNIT		VEQ2404	
*	106-1	AA015190	LID		TR1122722030	
		AA006300	POWER CORD		VJA1095	(U)
		AA006290	POWER CORD		VJA0940	(B)
		MX605250	POWER CORD		VJA0664	(GR)
		NX704290	POWER CORD		VJA0754	(A)
		AA003350	AV CABLE		VJA1062	

*New Parts

3. Loading Mechanism Section 3-1. Loading Mechanism Section Exploded View



2

3

4

5

6

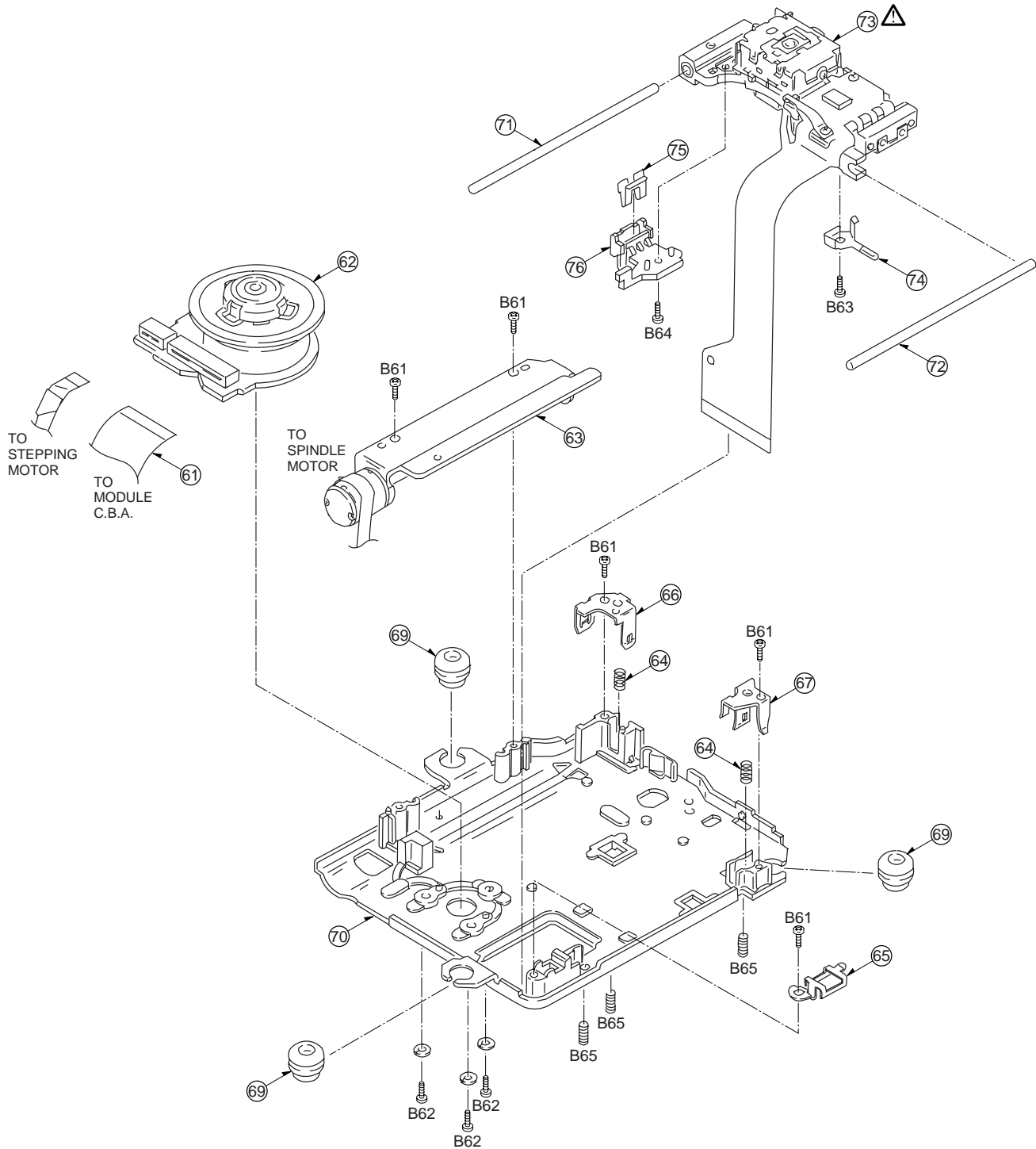
3-2. Loading Mechanism Section Parts List

REF. NO.	PART NO.	DESCRIPTION	REMARKS	MARKETS
41	AAX04750	MIDDLE CHASSIS	VMD3270	
42	AAX04300	TRAY	VMD3265	
43	AAX04530	PULLEY GEAR	VDG1308	
44	AAX04640	REDUCTION GEAR	VDG1309	
45	AAX04630	GEAR, DRIVE	VDG1310	
46	AAX04660	CAM, UP-DOWN	VDK0156	
47	CX680240	BELT	VDV0373	
49	AAX04580	BASE, LOADING	VMD3266	
* 50	AAX15350	CLAMPER BASE	VMA0E55	
51	XX701070	MAGNET	RHM245ZA	
* 53	AAX15340	CLAMPER	VMD3884	
* 54	AAX15250	CLAMPER WEIGHT	VMA0E54	
55	AAX01250	MOTOR, LOADING	VEM0664	
56	AAX03330	SWITCH	VSH0170	
57	AAX05560	SHIELD PLATE	VMA0C12	(U)
B41	AAX04340	SCREW	VHD1223	
B42	EX603980	SCREW	XQNQC17+3	
B43	EX604040	SCREW	XTV3+10G	
* B44	AAX15230	SCREW	VHD1330	
B45	EX604040	SCREW	XTV3+10G	

*New Parts

4. Traverse Section

4-1. Traverse Section Exploded View

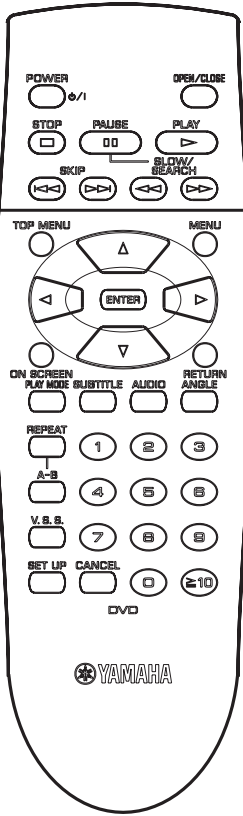
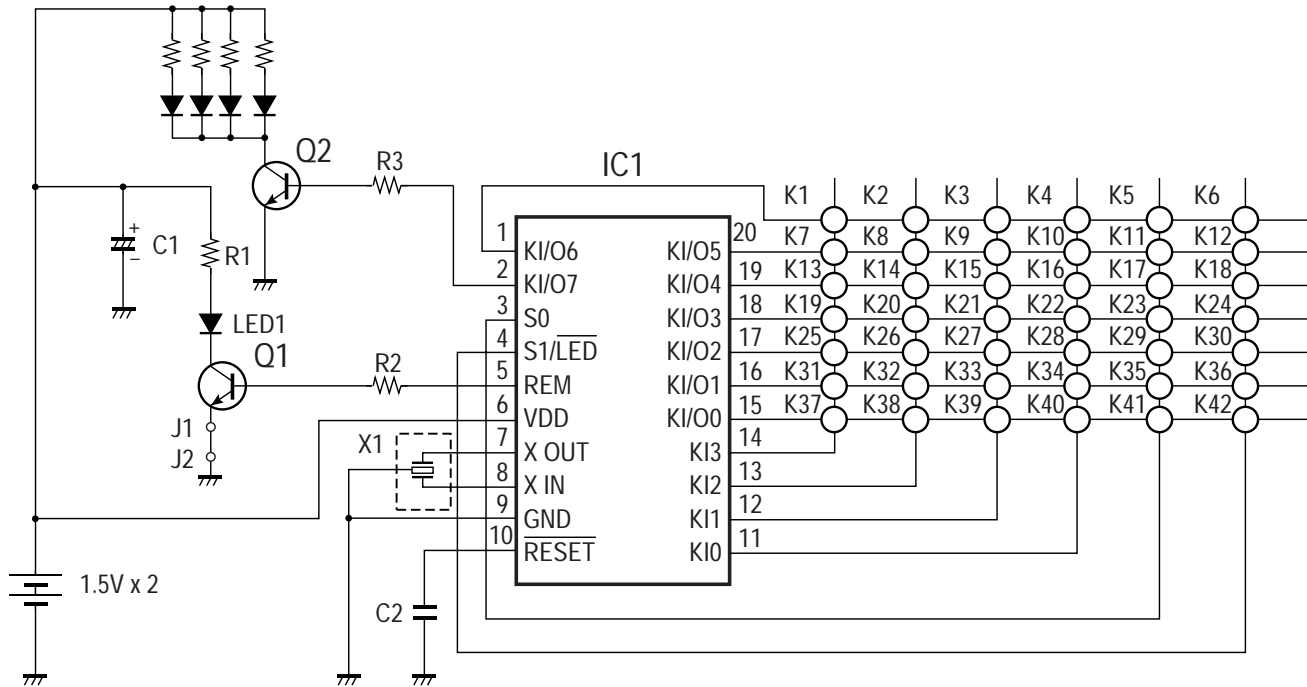


4-2. Traverse Section Parts List

REF. NO.	PART NO.	DESCRIPTION	REMARKS	MARKETS
* 61	AAx15330	SPINDLE FFC	VWJ1388	
* 62	AAx15170	SPINDLE MOTOR	BML3E4CRU	
* 63	AAx15210	STEPPING MOTOR UNIT	VEM0720	
64	AAx03740	SPRING	VMB3278	
65	AAx04770	SPRING	VMC1487	
* 66	AAx15260	SPRING HOLDER 1	VMC1606	
* 67	AAx15270	SPRING HOLDER 2	VMC1607	
69	AAx04500	FLOATING RUBBER	VMG1166	
* 70	AAx15280	TRAVERSE CHASSIS	VMK0502	
71	AAx03750	GUIDE SHAFT	VMS6471	1
72	AAx03760	GUIDE SHAFT	VMS6472	2
* 73	AAx15200	OPTICAL PICK-UP	VED04021	
74	AAx04780	SPRING	VMC1491	
75	AAx04330	NUT SPRING	VMC1490	
76	AAx04320	NUT	VMD3260	
B61	AAx04350	SCREW	VHD1224	
* B62	AAx15240	SCREW	VHD1358	
B63	EX603950	SCREW	VHD1057	
B64	EX603980	SCREW	XQNQC17+3	
B65	AAx04410	SCREW	XXE26C6FN	

*New Parts

5. Remote Control Transmitter



NO.	FUNCTION	NO.	FUNCTION
K1		K22	MENU
K2		K23	VSS
K3		K24	7
K4		K25	ENTER
K5	Not used	K26	RETURN
K6	Not used	K27	PLAY MODE
K7	ON SCREEN	K28	SUBTITLE
K8	POWER	K29	8
K9	OPEN/CLOSE	K30	9
K10	STOP	K31	AUDIO
K11	Not used	K32	ANGLE
K12	Not used	K33	REPEAT
K13	PAUSE	K34	1
K14	PLAY	K35	SET UP
K15	SKIP ◀◀	K36	CANCEL
K16	SKIP ▶▶	K37	2
K17	5	K38	3
K18	6	K39	A-B
K19	SLOW/SEARCH ◀◀	K40	4
K20	SLOW/SEARCH ▶▶	K41	0
K21	TOP MENU	K42	> 10